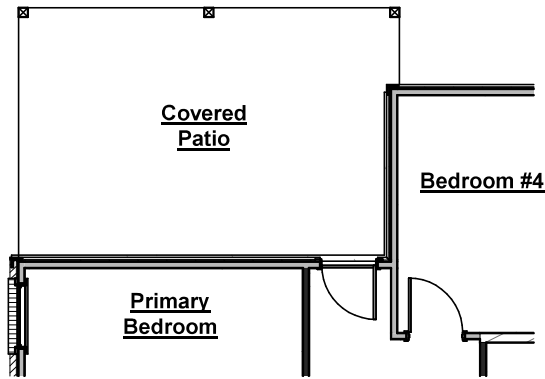


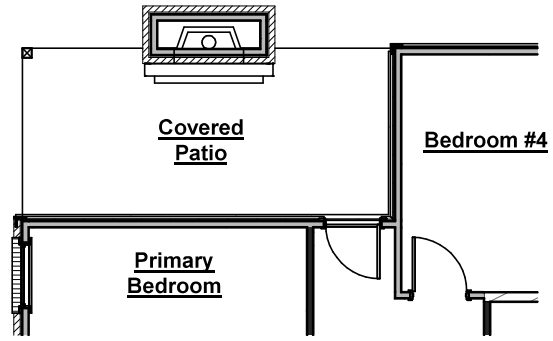
the MANSFIELD

Plan Options



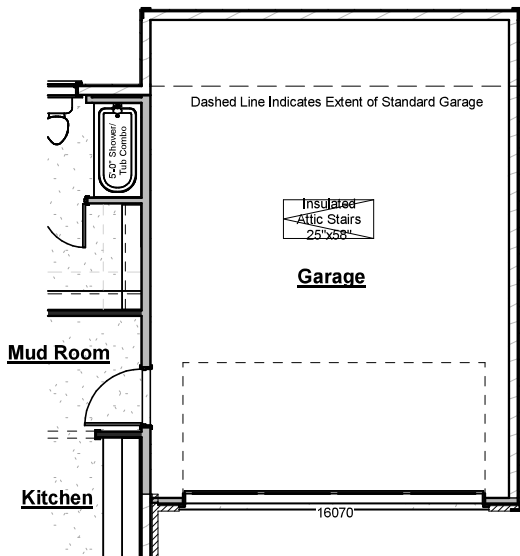
Covered Patio Extension

-Adds 75 sf of additional covered patio



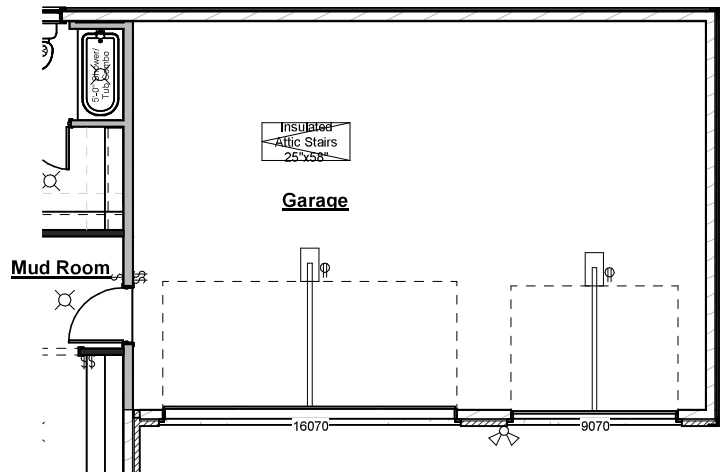
Outdoor Gas Log Fireplace

-Adds outdoor fireplace with brick to match house, cedar beam mantel, firebox, gas logs & electrical outlet above fireplace



4ft Garage Extension

-Adds 80 sf to rear of garage

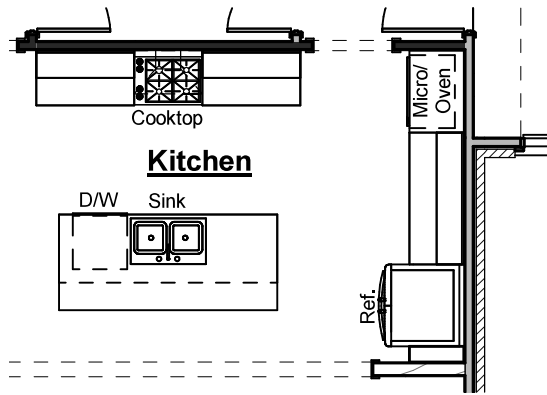


3rd Car Garage

-Adds 267 sf to garage
-Adds additional garage door

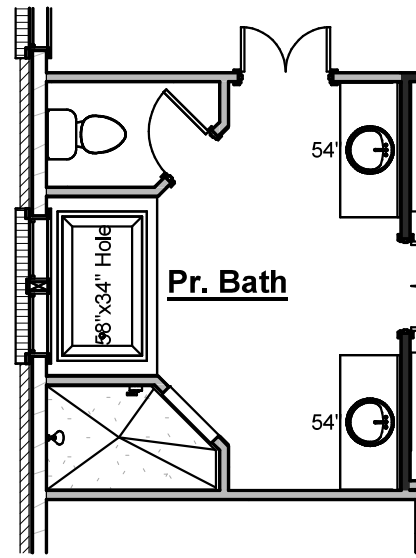


HARRIS DOYLE
HOMES



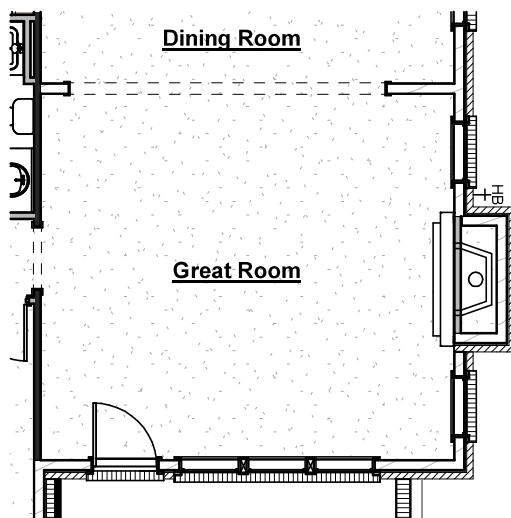
Chef's Kitchen with Single Oven

-Includes Frigidaire Gallery cooktop, wood hood, 1 wall ovens, microwave in island and dishwasher.



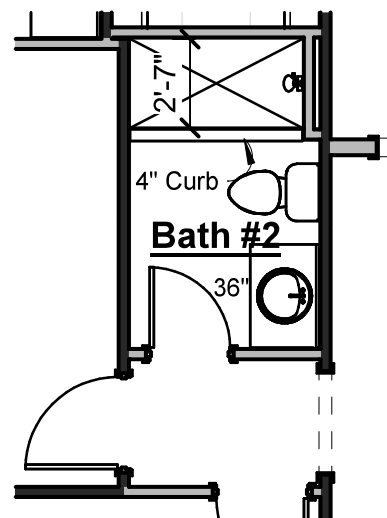
Primary Bathroom Tub

-Adds drop in tub with tile surround, ledge of tub creates small bench in shower



Great Room Fireplace

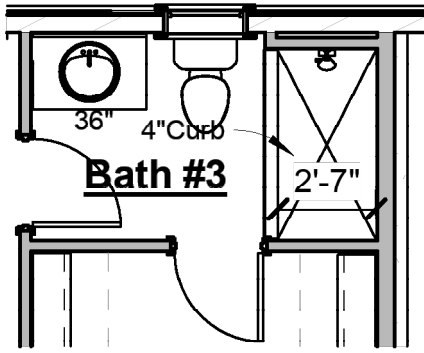
-Adds fireplace to Great Room
-Includes trim-built mantel, firebox, 18" gas logs, tile surround & electrical outlet above fireplace



Bath 2 Tile Shower

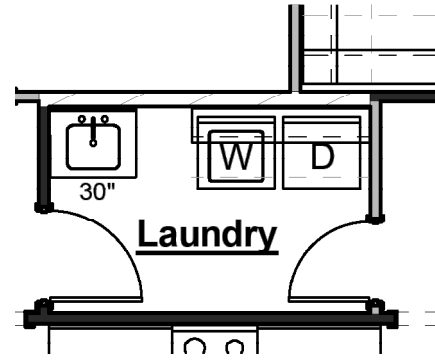
-Replaces tub/shower unit with tile shower
-Includes tile walls & floor, shower head/valve & 4" curb
-Shower enclosure not included & may be purchased at design





Bath 3 Tile Shower

- Replaces tub/shower unit with tile shower
- Includes tile walls & floor, shower head/valve & 4" curb
- Shower enclosure not included & may be purchased at design



Laundry Room Sink

- Includes stainless sink with 30" base cabinet, cabinet hardware and countertop
- Cabinet base and countertop can be replaced with a freestanding utility sink

Other Options

- 4 Sides Brick
- Guest Bath Syn-Iron Tub Shower with Tile Surround
- Pedestal Tubs

*Certain structural options may not be available due to lot restrictions and/or selection of other options. Prices subject to change without notice.



HARRIS DOYLE
HOMES



LIFE WELL CRAFTED



HARRISDOYLE.COM



facebook.com/harrisdoylehomes



@harrisdoylehomes
#harrisdoyle