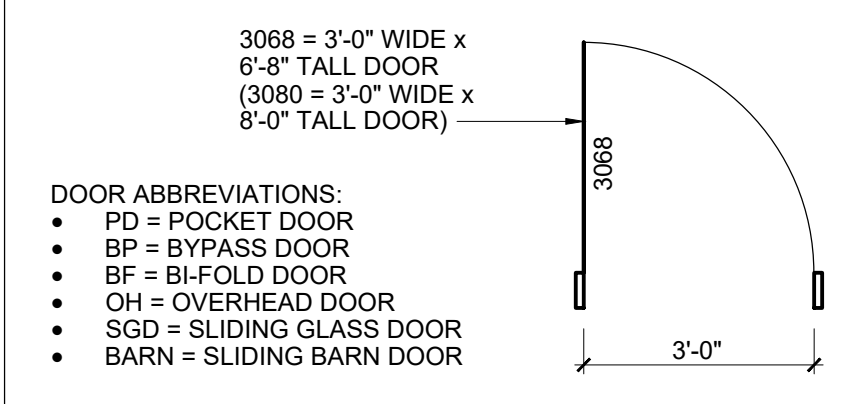


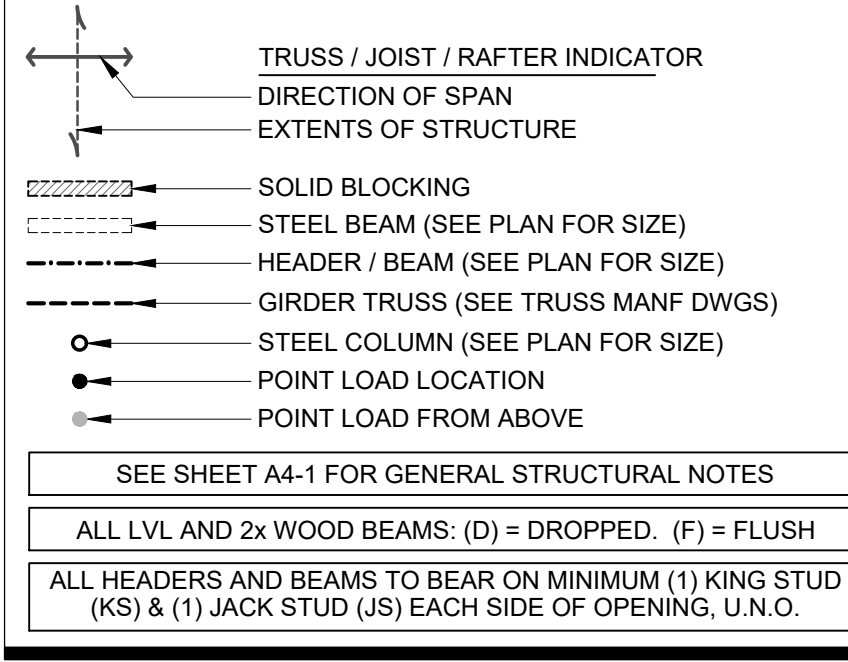
**FLOOR PLAN NOTES**

1. ALL DIMENSIONS TO INTERIOR WALLS ARE TO FACE OF STUD.
2. ALL DIMENSIONS TO OUTSIDE FACE OF EXTERIOR WALLS ARE TO OUTSIDE FACE OF SHEATHING. ALL DIMENSIONS TO INSIDE FACE OF EXTERIOR WALL ARE TO FACE OF STUD.
3. ALL INTERIOR STUD WALLS TO BE 2x4 STUDS @ 16" O.C. U.N.O.
4. ALL DOORS SHALL BE 6" FROM ADJACENT WALL OR CENTERED IN WALL U.N.O.
5. BEDROOM WINDOWS SHALL MEET THE REQUIREMENTS OF 2019 RCO CHAPTER 311 FOR EGRESS. EGRESS CLEAR OPENINGS ON GRADE FLOOR SHALL BE A MINIMUM OF 5.0 SQUARE FEET. EGRESS CLEAR OPENINGS ON ALL OTHER FLOORS SHALL BE A MINIMUM OF 5.7 SQUARE FEET.
6. EGRESS WINDOWS TO HAVE A MINIMUM CLEAR HEIGHT OF 24" AND A MINIMUM CLEAR OPENING WIDTH OF 20". WINDOW SILL HEIGHT SHALL NOT EXCEED 44" ABOVE THE FINISH FLOOR.
7. ALL ANGLED WALLS ARE 45 DEGREES U.N.O.
8. ALL WOOD IN LOCATIONS SUBJECT TO TERMITE DECAY SHALL BE PRESSURE TREATED OR BE OF AN APPROVED DECAY RESISTANT SPECIES. THIS INCLUDES, BUT NOT LIMITED TO, ALL EXTERIOR DECKS, SILLS AND SLEEPERS ON CONCRETE, MASONRY OR IN DIRECT CONTACT WITH THE GROUND.
9. SMOKE DETECTORS SHALL BE INSTALLED INSIDE EACH BEDROOM, OUTSIDE EACH SEPARATE SLEEPING AREA IN THE IMMEDIATE VICINITY OF THE BEDROOMS AND ON EACH FLOOR, INCLUDING THE BASEMENT. THE SMOKE DETECTORS SHALL BE HARDWIRED WITH BATTERY BACKUP AND CONNECTED TOGETHER. ALL SMOKE ALARMS TO USE IONIZATION AND PHOTOELECTRIC TECHNOLOGY ON ALL LEVELS. SMOKE ALARMS OUTSIDE OF BEDROOMS TO USE PHOTOELECTRIC TECHNOLOGY.
10. FIRE STOPPING SHALL BE PROVIDED TO CUT OFF ALL CONCEALED DRAFT OPENINGS (VERTICAL AND HORIZONTAL) AND TO FORM AN EFFECTIVE FIRE BARRIER BETWEEN STORIES AND BETWEEN STORIES AND ROOF.
11. LVL SHEETS TO BE PROVIDED AT FRAMING INSPECTION.
12. BLOCK ALL BEARING POINTS TO BEAM OR TO FOUNDATION.
13. ALL VERTICAL AND HORIZONTAL JOINTS IN THE EXTERIOR WALL SHEATHING ARE TO FALL ON A STUD, PLATE, BAND BOARD OR 2x BLOCKING.

**DOOR LEGEND**



**STRUCTURAL LEGEND**



#	DATE	ISSUED WITH: CHANGE DESCRIPTION

P&D JOB NUMBER # 1797

**P & D BUILDERS**  
EST. 1962

**SBA STUDIOS**  
ARCHITECTURAL DESIGN  
614.562.7761 WWW.SBA-STUDIOS.COM

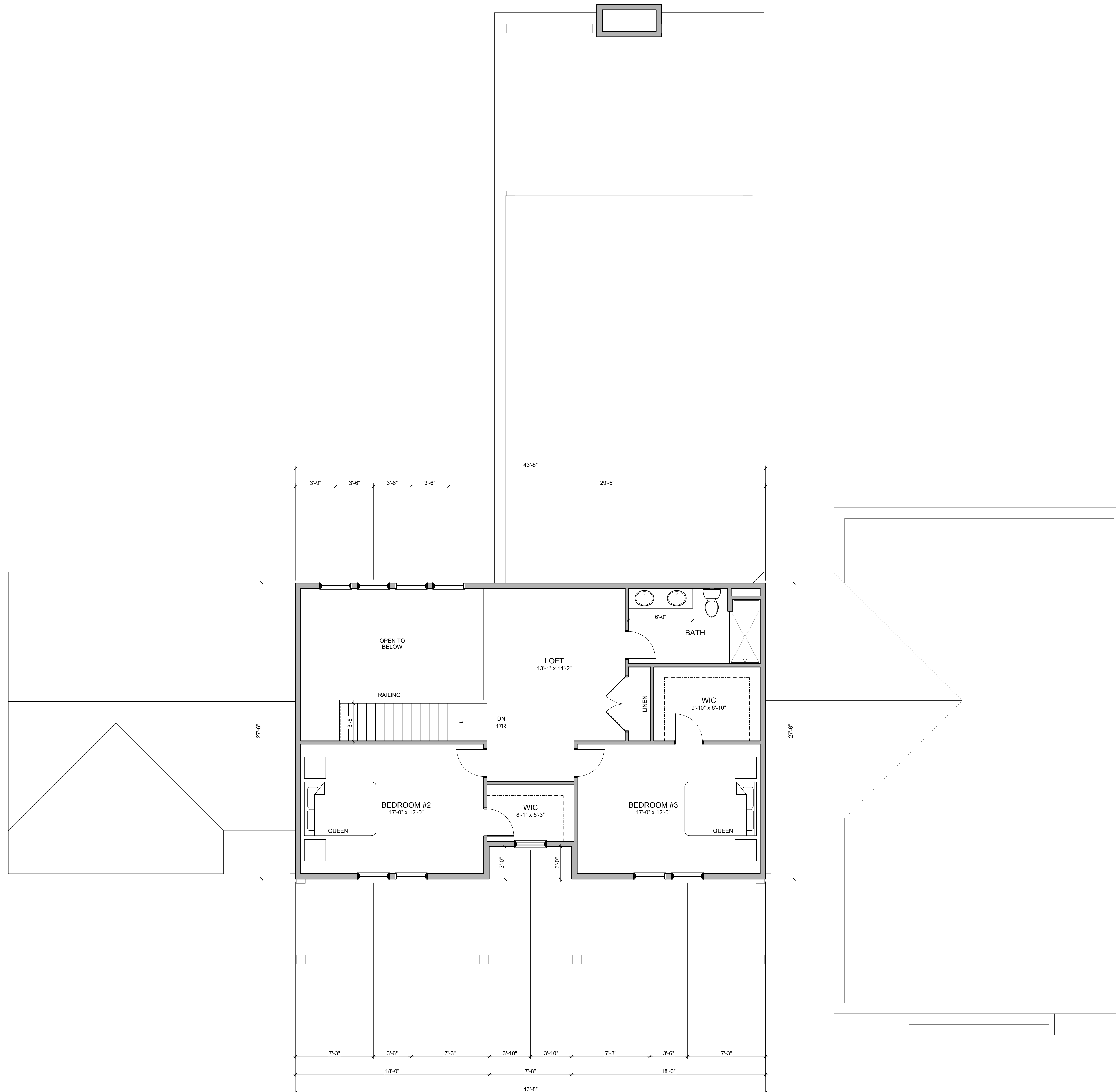
SCALE: 1/4" = 1'-0"

SHEET # / DESCRIPTION  
**FIRST FLOOR PLAN**

**A1-1**

DATE: 05.21.2026  
QTO

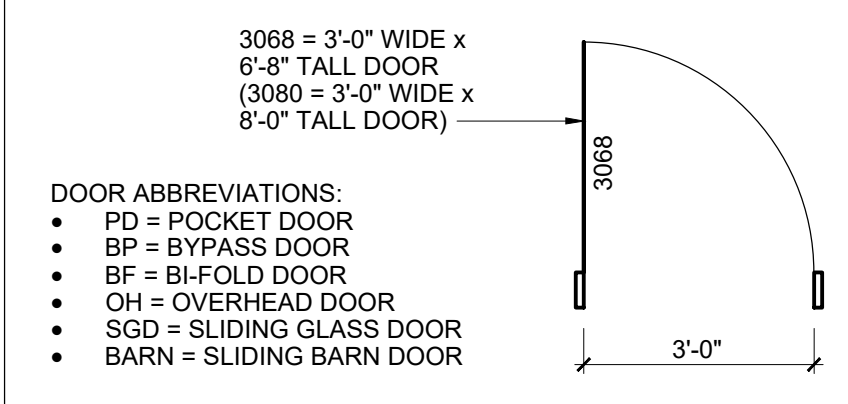
SCOTT BAKER LICENSE #14654 EXPIRATION DATE 12/31/2027  
SBA STUDIOS PROJECT # 2026-215



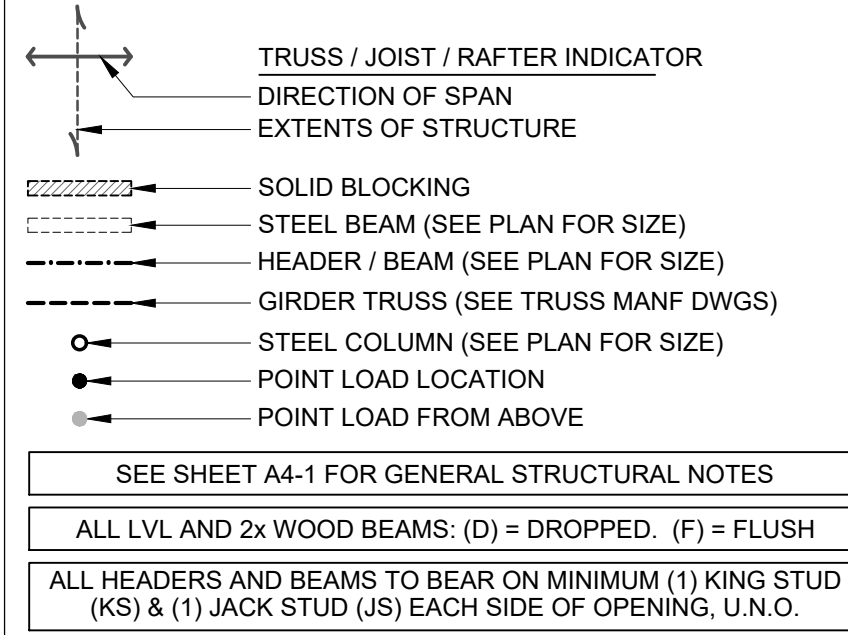
**FLOOR PLAN NOTES**

1. ALL DIMENSIONS TO INTERIOR WALLS ARE TO FACE OF STUD.
2. ALL DIMENSIONS TO OUTSIDE FACE OF EXTERIOR WALLS ARE TO OUTSIDE FACE OF SHEATHING. ALL DIMENSIONS TO INSIDE FACE OF EXTERIOR WALL ARE TO FACE OF STUD.
3. ALL INTERIOR STUD WALLS TO BE 2x4 STUDS @ 16" O.C., U.N.O.
4. ALL DOORS SHALL BE 6" FROM ADJACENT WALL OR CENTERED IN WALL U.N.O.
5. BEDROOM WINDOWS SHALL MEET THE REQUIREMENTS OF 2019 RCO CHAPTER 311 FOR EGRESS. EGRESS CLEAR OPENINGS ON GRADE FLOOR SHALL BE A MINIMUM OF 5.0 SQUARE FEET. EGRESS CLEAR OPENINGS ON ALL OTHER FLOORS SHALL BE A MINIMUM OF 5.7 SQUARE FEET.
6. EGRESS WINDOWS TO HAVE A MINIMUM CLEAR HEIGHT OF 24" AND A MINIMUM CLEAR OPENING WIDTH OF 20". WINDOW SILL HEIGHT SHALL NOT EXCEED 44" ABOVE THE FINISH FLOOR.
7. ALL ANGLED WALLS ARE 45 DEGREES U.N.O.
8. ALL WOOD IN LOCATIONS SUBJECT TO TERMITE DECAY SHALL BE PRESSURE TREATED OR BE OF AN APPROVED DECAY RESISTANT SPECIES. THIS INCLUDES, BUT NOT LIMITED TO, ALL EXTERIOR DECKS, SILLS AND SLEEPERS ON CONCRETE, MASONRY, OR IN DIRECT CONTACT WITH THE GROUND.
9. SMOKE DETECTORS SHALL BE INSTALLED INSIDE EACH BEDROOM, OUTSIDE EACH SEPARATE SLEEPING AREA IN THE IMMEDIATE VICINITY OF THE BEDROOMS AND ON EACH FLOOR, INCLUDING THE BASEMENT. THE SMOKE DETECTORS SHALL BE HARDWIRED WITH BATTERY BACKUP AND CONNECTED TOGETHER. ALL SMOKE ALARMS TO USE IONIZATION AND PHOTOELECTRIC TECHNOLOGY ON ALL LEVELS. SMOKE ALARMS OUTSIDE OF BEDROOMS TO USE PHOTOELECTRIC TECHNOLOGY.
10. FIRE STOPPING SHALL BE PROVIDED TO CUT OFF ALL CONCEALED DRAFT OPENINGS (VERTICAL AND HORIZONTAL) AND TO FORM AN EFFECTIVE FIRE BARRIER BETWEEN STORIES AND BETWEEN STORIES AND ROOF.
11. LVL SHEETS TO BE PROVIDED AT FRAMING INSPECTION.
12. BLOCK ALL BEARING POINTS TO BEAM OR TO FOUNDATION.
13. ALL VERTICAL AND HORIZONTAL JOINTS IN THE EXTERIOR WALL SHEATHING ARE TO FALL ON A STUD, PLATE, BAND BOARD OR 2x BLOCKING.

**DOOR LEGEND**



**STRUCTURAL LEGEND**

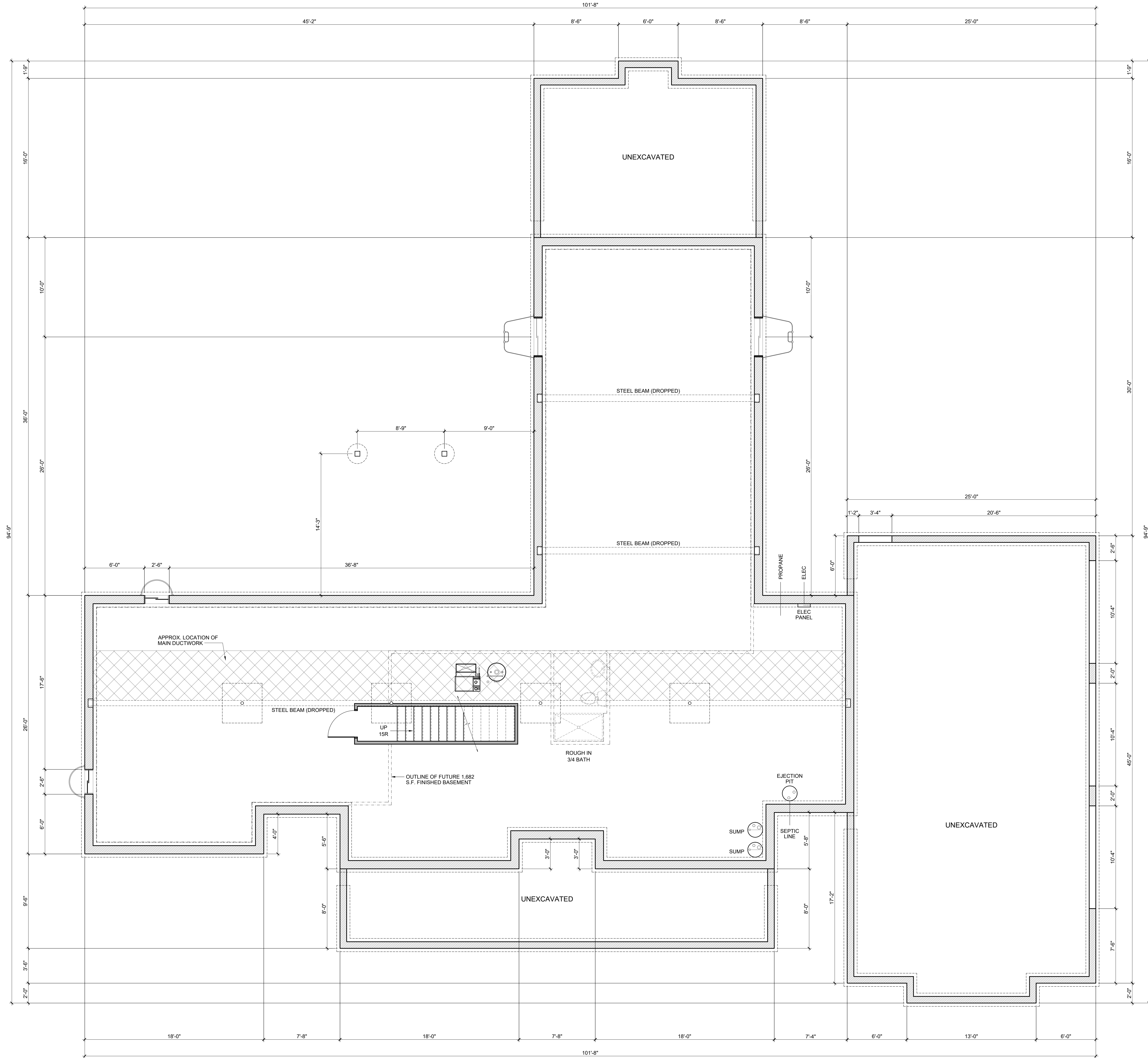


#	DATE	ISSUED WITH: CHANGE DESCRIPTION

P&D BUILDERS  
EST. 1962

**SBA STUDIOS**  
ARCHITECTURAL DESIGN  
614.562.7761 WWW.SBA-STUDIOS.COM

SCALE: 1/4" = 1'-0"  
SHEET # / DESCRIPTION  
**SECOND FLOOR PLAN**  
**A1-2**  
DATE: 05.21.2026  
QTO  
SCOTT BAKER, LICENSE #14654  
EXPIRATION DATE 12/31/2027  
SBA STUDIOS PROJECT # 2026-215



**FOUNDATION NOTES**

1. ALL 8" FOUNDATION WALLS SHALL HAVE A MINIMUM 16" x 8" CONTINUOUS POURED CONCRETE FOOTING. SEE WALL SECTIONS.
2. CONTRACTOR TO VERIFY THAT ALL STRUCTURAL LOADS TRANSFER TO FOUNDATION.
3. CEILING HEIGHTS IN BASEMENTS WITH HABITABLE SPACES OR HALLWAYS SHALL NOT BE LESS THAN 7'-0" CLEAR, EXCEPT UNDER BEAMS, DUCTS OR OTHER OBSTRUCTIONS WHERE THE CLEAR HEIGHT SHALL BE 6'-4" MINIMUM.
4. ALL PREFABRICATED CONCRETE LINTELS AT FOOTING LEVEL CHANGES SHALL HAVE 8" MINIMUM BEARING AT EACH END. REFER TO STRUCTURAL NOTES SHEET FOR GENERAL STRUCTURE INFORMATION.

**STRUCTURAL LEGEND**

- TRUSS / JOIST / RAFTER INDICATOR
- DIRECTION OF SPAN
- EXTENTS OF STRUCTURE
- SOLID BLOCKING
- STEEL BEAM (SEE PLAN FOR SIZE)
- HEADER / BEAM (SEE PLAN FOR SIZE)
- GIRDER TRUSS (SEE TRUSS MANF DWGS)
- STEEL COLUMN (SEE PLAN FOR SIZE)
- POINT LOAD LOCATION
- POINT LOAD FROM ABOVE

SEE SHEET A4-1 FOR GENERAL STRUCTURAL NOTES  
 ALL LVL AND 2x WOOD BEAMS: (D) = DROPPED, (F) = FLUSH  
 ALL HEADERS AND BEAMS TO BEAR ON MINIMUM (1) KING STUD (KS) & (1) JACK STUD (JS) EACH SIDE OF OPENING, U.N.O.

#	DATE	ISSUED WITH: CHANGE DESCRIPTION

P&D JOB NUMBER # 1797

**P & D BUILDERS**  
EST. 1962

**SBA STUDIOS**  
ARCHITECTURAL DESIGN  
614.562.7761 WWW.SBA-STUDIOS.COM

SCALE: 1/4" = 1'-0"  
 SHEET # / DESCRIPTION  
**BASEMENT PLAN**  
**A1-0**  
 DATE: 05.21.2026  
 QTO  
 SCOTT BAKER, LICENSE #14654  
 EXPIRATION DATE 12/31/2027  
 SBA STUDIOS PROJECT # 2026-215

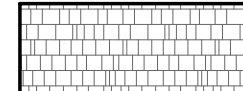

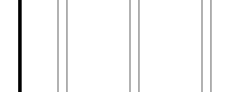




2 REAR ELEVATION



1 FRONT ELEVATION

ELEVATION MATERIAL LEGEND

-  SHINGLES
-  STANDING SEAM METAL ROOF
-  BOARD & BATTEN SIDING
-  HARDIE SIDING
-  EXPOSED CONCRETE FOUNDATION WALL

EXTERIOR FLASHING, CONDUITS, VENT PIPES, OR SIMILAR, TO COLOR MATCH ADJACENT MATERIALS, TYP. UNLESS PROHIBITED BY THE MANUFACTURER AND / OR CODE

#	DATE	ISSUED WITH: CHANGE DESCRIPTION

P&D JOB NUMBER # 1797

**P & D**  
BUILDERS  
EST. 1962

**SBA**  
STUDIOS  
ARCHITECTURAL DESIGN  
614.562.7761 WWW.SBA-STUDIOS.COM

SCALE: 1/4" = 1'-0"  
SHEET # / DESCRIPTION  
EXTERIOR ELEVATIONS  
**A2-1**  
DATE: 05.21.2026  
QTO  
SCOTT BAKER, LICENSE #14654  
EXPIRATION DATE 12/31/2027  
SBA STUDIOS PROJECT # 2026-215