

# PLAN 851

---

American  
*Legend*  
HOMES®



Elevation A

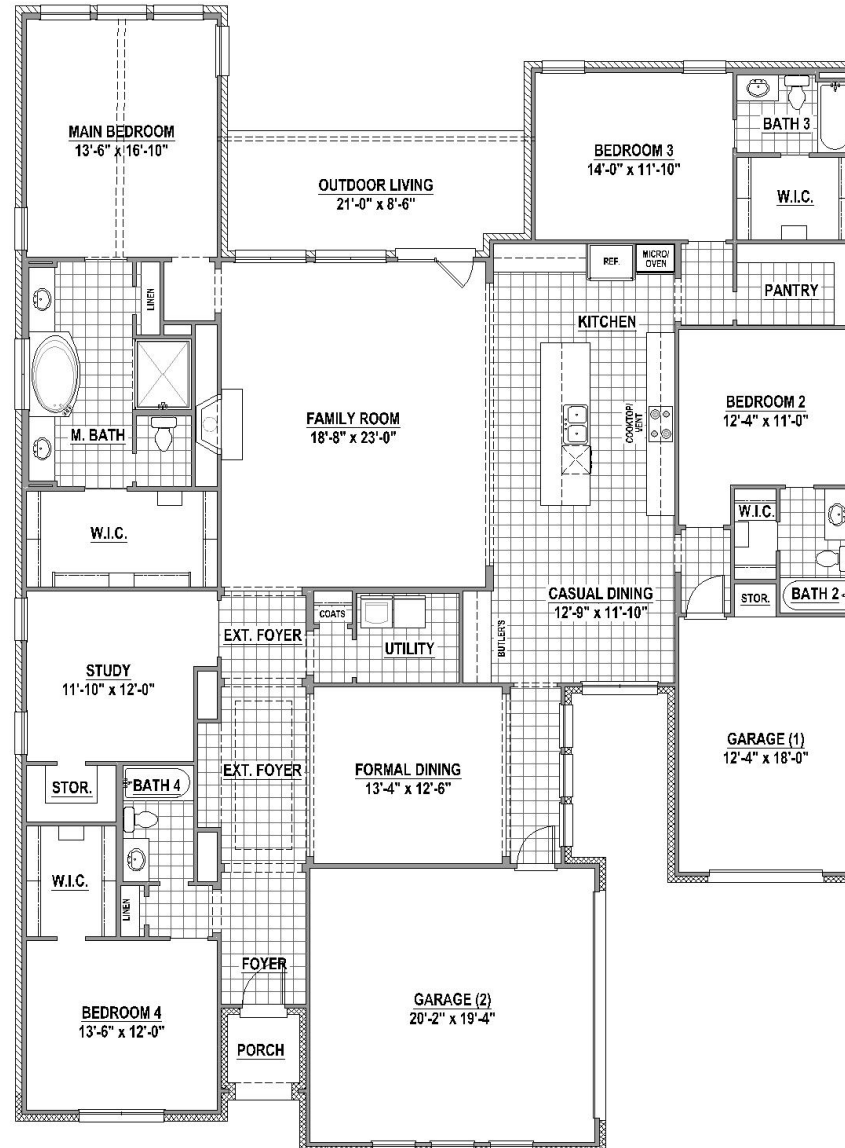
BUILT FOR THE  
*WAY YOU LIVE*

# PLAN 851 | 3,195 SF

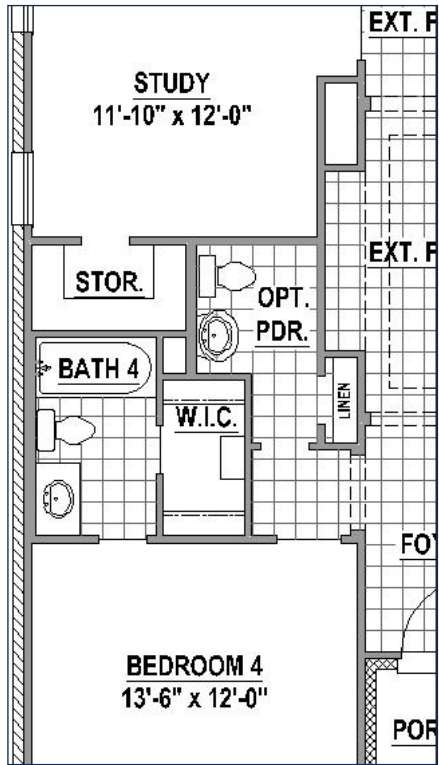
## Features

- 1-Story
- 4 Bedrooms
- 4 Full Baths
- Study
- 2 Dining Areas
- Outdoor Living Area
- 3-Car Split Garage

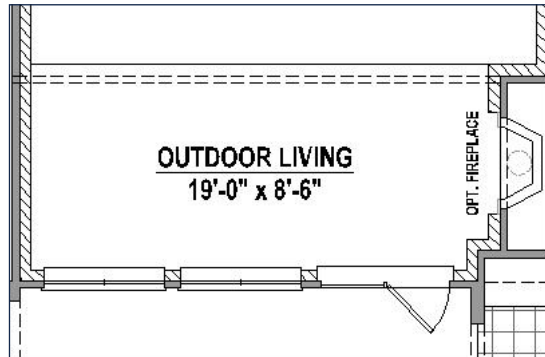
## First Floor



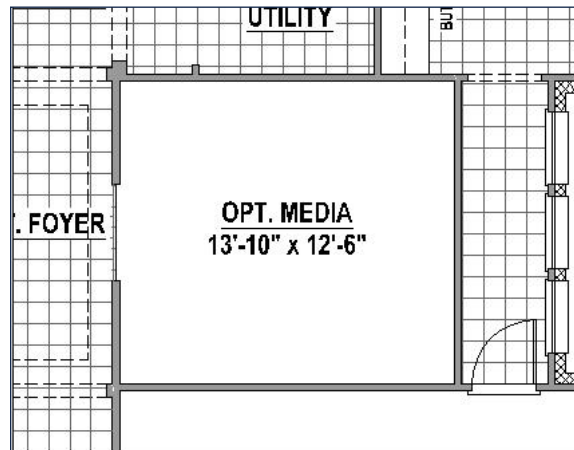
# Structural Options



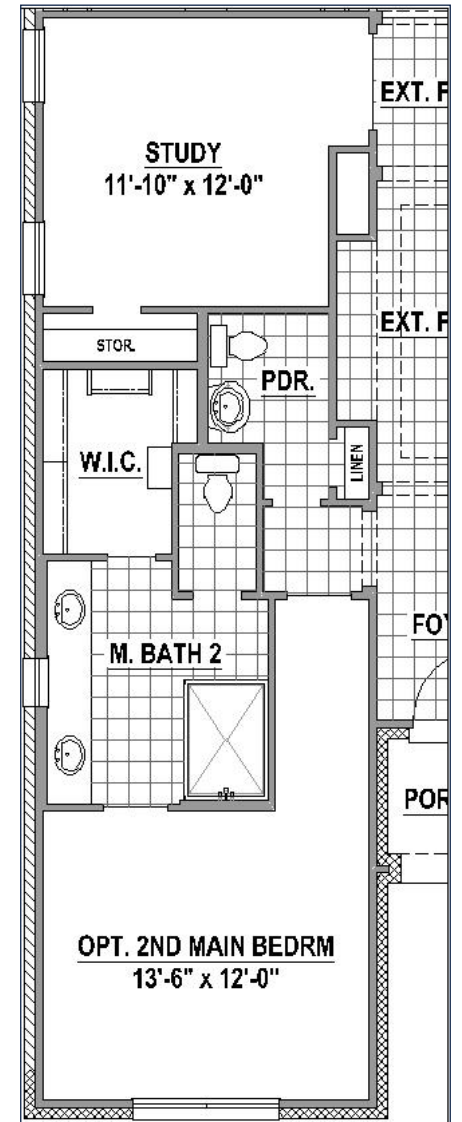
Powder Bath



Outdoor Fireplace



Media Room ILO Formal Dining



2nd Main Bedroom ILO Bedroom 4  
(+124 SF)

# PLAN 851



**Elevation A with Stone**



**Elevation B**



**Elevation B with Stone**



**Elevation C**



**Elevation C with Stone**

American Legend Homes reserves the right to change prices, plans, specifications, square footage and availability without prior notice or obligation. Square footages are approximate and may vary upon elevations and/or options selected. Elevations depicted are an artist's rendering and are subject to change or modification without notice. Not responsible for typographical errors. Please see a Sales Associate for more information. American Legend Homes and the ALH logo are registered trademarks of American Legend Homes, LLC. © 2026 American Legend Homes. All rights reserved. Plan 851.ABC\_06/01/26

