



# DIY BEDROOM WALL SHELVES



**HISTORYMAKER**

— H O M E S —

est 1949

# DIY BEDROOM WALL SHELVES AT SIERRA VISTA

Designed By: Sarah Ciesla for HistoryMaker Homes

## Supplies:

- 3/4" MDF (Medium Density Fiberboard)
- Wood Glue
- Brads
- Sandpaper
  - 80-grit
  - 120-grit
  - 220-grit
- Tack Cloth
- 3/4" Painter's Blue Masking Tape
- 12" Wide Painter Masking Paper
- Latex Primer
- Latex Accent Paint (we used Sherwin Williams 7069 Iron Ore Semi-Gloss)
- Joint Compound
- Wallcovering
- Wallpaper Glue
- 1/4"x3" Lag Screws and Washers
- Plastic or Fabric Drop Cloth

## Tools:

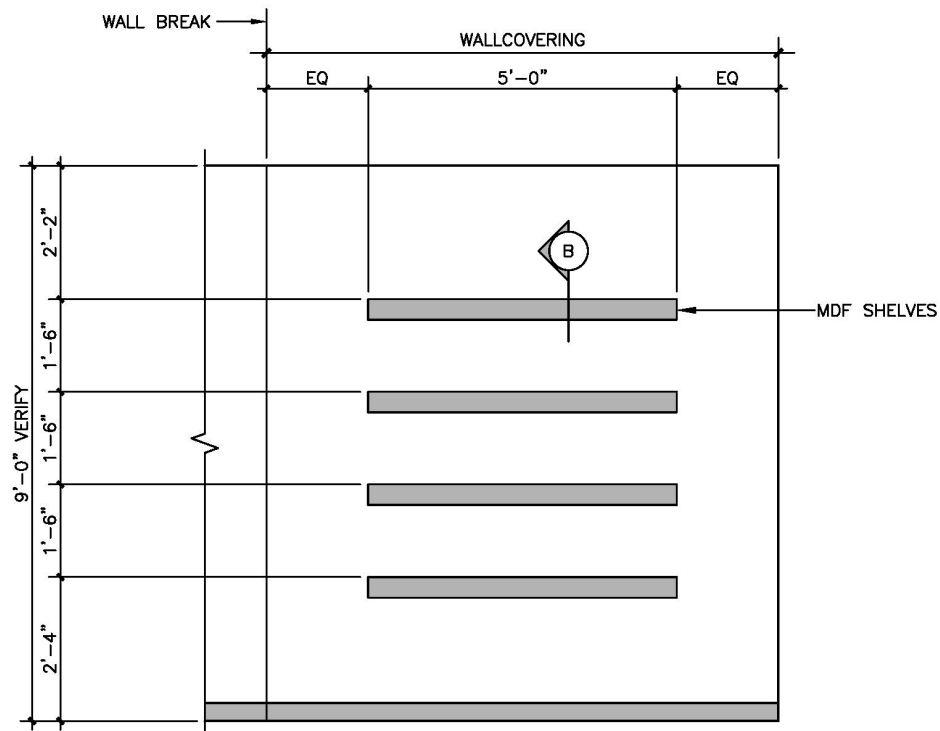
- Tape Measure
- Pencil
- 4-ft Level
- Straight Edge
- Razor Knife
- Table Saw
- Stud Finder
- Sanding Block
- Woodworking Clamps (<https://www.rockler.com/one-hand-ratcheting-band-clamp>)
- Hammer/ Brad-gun (to install fronts of box shelves)
- Sponge
- Pry Bar (to remove base trim)
- Drill and Mixer Extension (to mix Joint Compound)
- 6" Taping Knife
- 12" Taping Knife
- Bucket (water)
- Seam Roller
- Socket Wrench, Extension, and Ratchet (for lag screws)
- Paint Brush

## Step by Step:

### Preliminary Work

- Refer to drawings (Figure A & Figure B) and cut 3/4" MDF to size on table saw creating 45-degree miter joints where required.
- Assemble box shelves with wood glue, brads and strap clamps, making sure all joints are perfectly square. Pre-fit fronts of box shelves and mark them for later installation. Do NOT install fronts of boxes until after boxes are installed on wall.
- Allow glue to dry 24-hours.
- Use 220-grit sandpaper and sand all outside surfaces of box shelves. Remove all sanding dust and wipe down with tack cloth.
- Follow latex primer's manufacturer's instruction and prime all visible surfaces of MDF box shelves and fronts.
- Follow latex accent paint manufacturer's instruction and pre-coat all visible surfaces of MDF box shelves and fronts.
- Carefully remove existing base trim and store for later re-use.

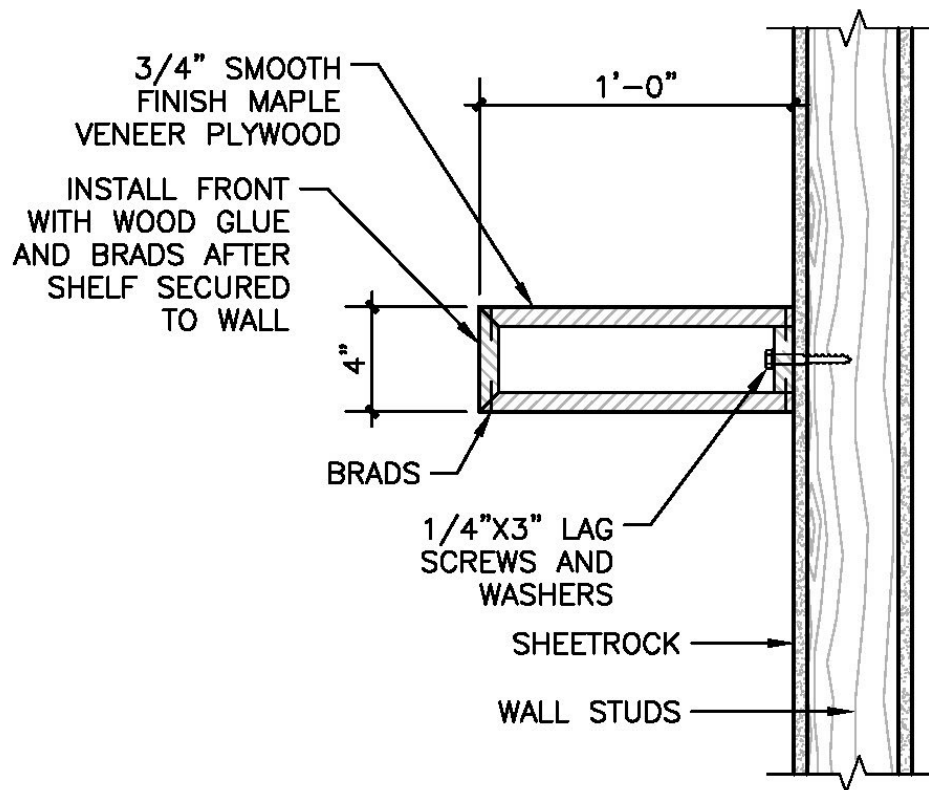
(Figure A)



## 1. Prepare Area for Work

- Lay plastic or fabric drop-cloth on floor. Tape or tack as required to keep covering in place to protect all adjacent surfaces and/or areas.
- Refer to drawing (Figure A) and mask areas of wall that are not to receive wallcovering.

(Figure B)



## 2. Remove Paint and Wall Texture from Wall to Receive Wall Covering

- Sand area of wallcovering feature with 80-grit sandpaper to remove paint and knock down high points of wall texture - you only want to sand enough to take 80% of the high spots down. Do NOT sand through wall texture and/or into surface of wallboard. Sand up to edges of masking tape but do NOT sand edges of masking tape.
- Next, lightly sand area of feature with 120-grit sandpaper - again taking care not to sand tape. 90% of wall texture should be gone at this stage.
- Wipe down area of feature with damp sponge. Rinsing sponge often, change water often - remove as much dust as you can until sponge rinses clean. Allow to dry 24-hours.

### 3. Apply Joint Compound to Wallcovering Feature Area

- Mix Joint Compound according to manufacturer's instructions.
- Apply thin layer of Joint Compound with 6" taping knife - work first on small area - use spray bottle of water and mist to keep from drying out.
- Smooth area of wet joint compound with 12" taping knife - try to get as smooth as possible - mist as required. Do NOT allow joint compound to dry and do NOT overwork joint compound. Let dry 24-hours.
- Sand area of feature with 120-grit sandpaper and wipe down area with a damp sponge to remove all sanding dust. Let dry 24-hours.
- Repeat process using thin layers of joint compound until surface is flat and smooth. Let dry 24-hours.
- Apply latex primer to wallcovering feature. Let dry 24-hours.

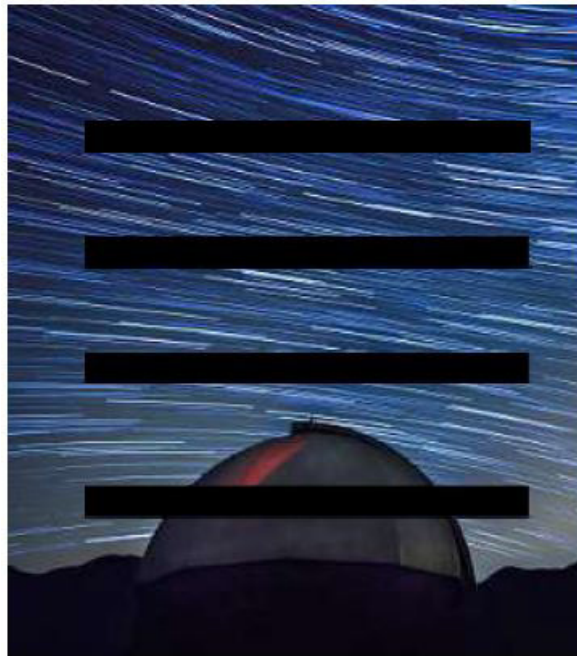
### 4. Install Wallcovering

- Prime area of feature with wallcovering primer.
- Unroll wallcovering and reverse-roll to help wallcovering flatten out.
- Unroll wallcovering and lay flat with underside facing up.
- Use straight edge and razor knife and cut wallcovering to size and width as required. If wallcovering has a pattern, follow from wallcoverings manufacturer's instructions to determine how to cut and align pattern as required.
- Follow wallcovering glue manufacturer's instructions and apply wallcovering glue to back of wallcovering.
- Reverse roll paper with glue side up (glue side facing out) - activate glue (if required - usually dunk in tray of water) according to glue manufacturer's instructions.
- Apply wallcovering to wall keeping edges perfectly plumb - keep edge of wallcovering parallel with edge of feature but do not overlap masking tape.
- Press wallcovering flat, work out any bubbles with hands and moist sponge.
- Continue adding wallcovering to cover entire wallcovering feature area. Use seam roller where edges of wallcovering align and where edges meet masking tape to flatten edges.
- Clean any excess wallcovering glue with damp sponge before wallcovering glue dries.
- Allow 24-hours to dry.
- Remove painter's masking tape and masking paper.

## 5. Install Box Shelves

- Refer to drawing (Figure A) and mark locations of box shelves on wallcovering by applying painter's blue masking tape over wallcovering to place marks on.
- Use stud finder and mark locations of studs using strips of painter's blue masking tape.
- Transfer stud locations to box shelves and drill for 1/4" lag screws.
- Install shelves using 1/4"x3" lag screws into wall studs.
- Install fronts of box shelves with wood glue and brads - remove any excess glue that may seep out onto surface of box shelves.
- Allow wood glue to dry 24-hours.
- Apply finish coat of latex paint to MDF box shelves being careful not to get paint on wallcovering. Let dry 24-hours.
- Re-install base trim and use latex trim paint to touch up as required.

**Stand Back and Enjoy Your Work - You're Finished!**



*You Did It!*