

TOTAL

One-Stop Tools Station

TOTAL

AUTOMATIC PUMP CONTROL

TWPS101,UTWPS101,TWPS102,UTWPS102

INDUSTRIAL



ELEK






CE



10Bar 10A

Instruction manual

Safety precautions

This symbol    together with one of the following words "Danger" or "Warning" indicates the risk level deriving from failure to observe the prescribed Safety precautions:



DANGER
risk of
electric shock

Warns that failure to observe the precautions involves a risk of electric shock



DANGER

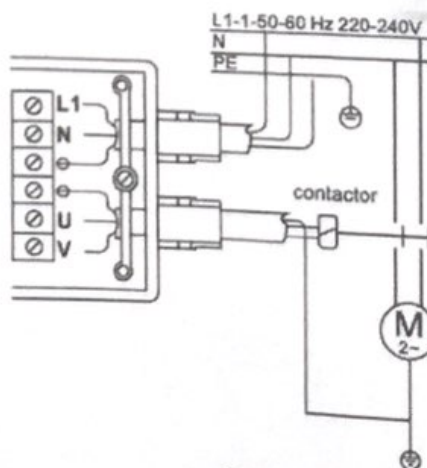
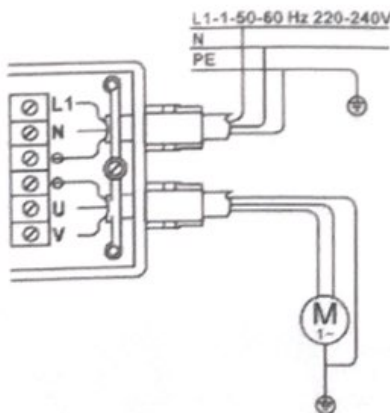
Warns that failure to observe the precautions involves a risk of damage to persons and/or things



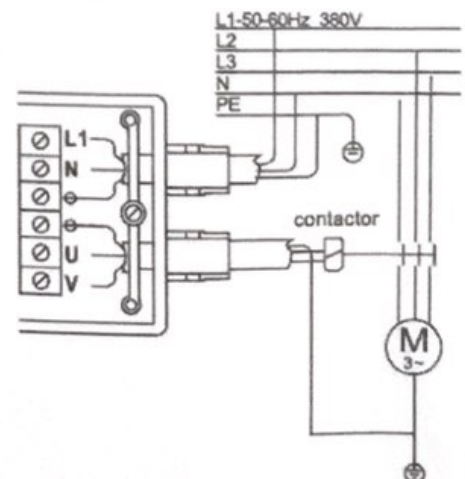
WARNING

Warns that failure to observe the precautions involves the risk of damaging the pump and/or the plant

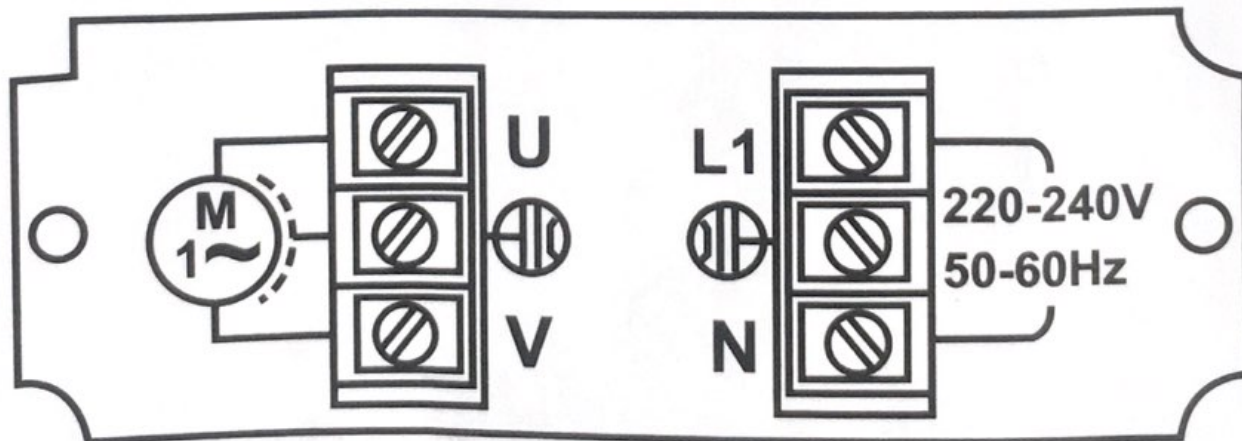
Item No.	TWPS101	UTWPS101
Rated Voltage	220-240V~50/60Hz	110-120V~60Hz
Starting Pressure	1.5Bar(22psi)	1.5Bar(22psi)
Intensity Max	10A	10A
Max Power	1100W	750W
Protection Rating	IP 65	IP 65
Maximum Working Pressure	10Bar(145psi)	10Bar(145psi)
Water Temperature	4°Ca35°C	4°Ca35°C
Ambien Temperature	-10°Ca+60°C	-10°Ca+60°C
Connection	1"male	1"male



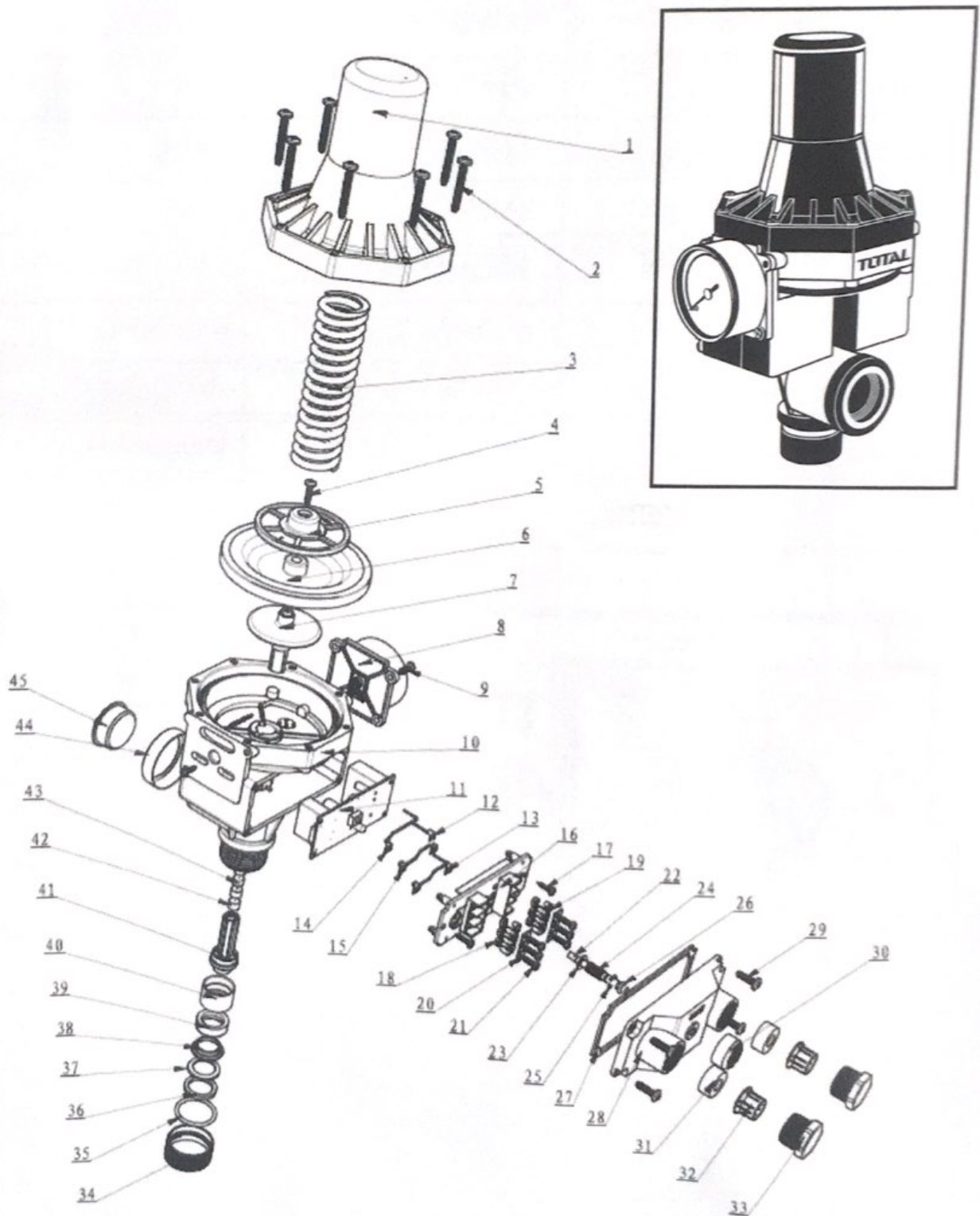
2



Item No.	TWPS1002	UTWPS102
Rated Voltage	220-240V~50/60Hz	110-120V~60Hz
Starting Pressure	1.5Bar(22psi)	1.5Bar(22psi)
Intensity Max	10A	10A
Max Power	1100W	750W
Protection Rating	IP 65	IP 65
Maximum Working Pressure	10Bar(145psi)	10Bar(145psi)
Water Temperature	4°Ca35°C	4°Ca35°C
Ambien Temperature	-10°Ca+60°C	-10°Ca+60°C
Connection	1"male	1"male



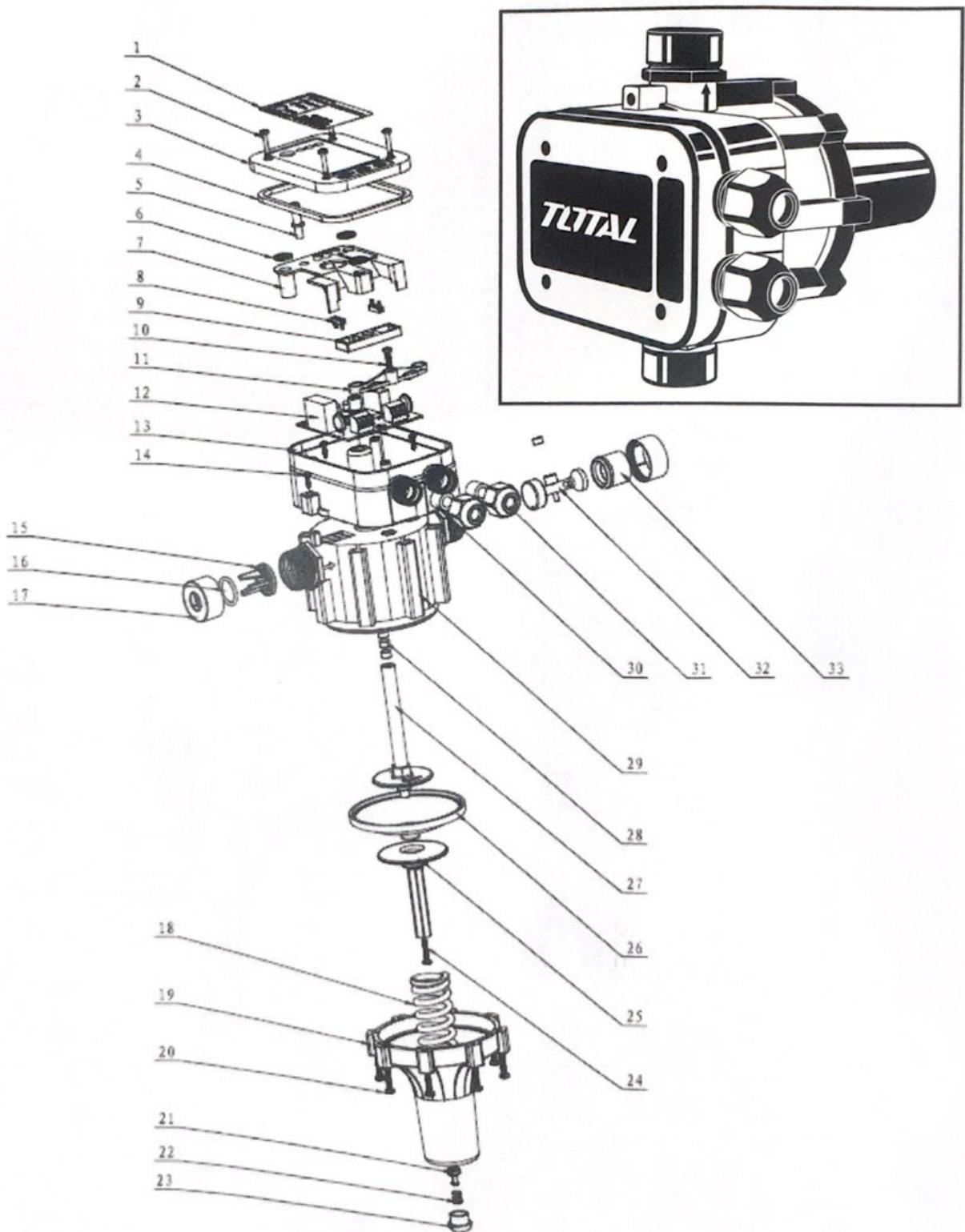
TWPS102 UTWPS102 Exploded view



TWPS102 UTWPS102 Spare part list

NO.	Part Description	Qty	NO.	Part Description	Qty
1	Head body	1	24	Reset spring	1
2	ST4.2 x 29.5-F screw	8	25	pilcriC52	1
3	Main pressure spring	1	26	Pressure regulating nut O ring	1
4	ST3.5 x 16-C screw	1	27	Face seal ring	1
5	Pressure bar base	1	28	lenap82	1
6	diaphragm	1	29	ST4.2 x 13-F screw	4
7	Pressure bar	1	30	Red cap	1
8	Pressure gauge component	1	31	Coils	2
9	ST3.9 x 13-C screw	2	32	Line card	2
10	Medium body	1	33	Hexagon nut	2
11	PCB module	1	34	Threaded hood	1
12	Connector L	1	35	Middle body O ring	1
13	Connector T	1	36	Retreating circle	1
14	Connector Z	1	37	Snap ring	1
15	Connector C	1	38	Ring	1
16	PCB support	1	39	Water outlet	1
17	ST2.9 x 11.6-C screw	3	40	Medium bushing	1
18	M3 x 8 nut	6	41	Check valve	1
19	Double wing	6	42	Magnetic steel 8 x 6	2
20	mihS02	6	43	Magnetic steel 8 x 5	3
21	M3 x 8 mechanical screw	6	44	htaehs44	1
22	Reposition column	1	45	Water cover	1
23	Circular gasket	1			

TWPS101 UTWPS101 Exploded view



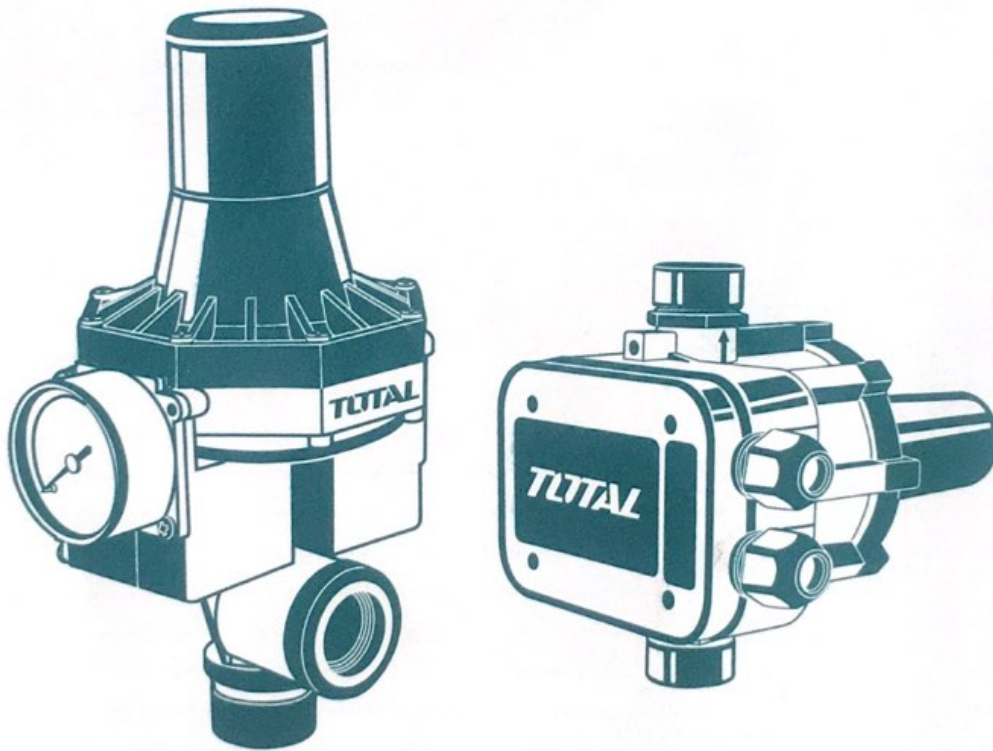
TWPS101 UTWPS101 Spare part list

No.	Part Description	Qty
1	trademark	1
2	ST3.9*28/12-F screw	4
3	panel	1
4	Face seal ring	1
5	Button column	1
6	Plum hole retaining ring	3
7	PCB press plate	1
8	Reed support	2
9	Connection post	1
10	ST3.9*19-C screw	1
11	Press line	1
12	PCB module	1
13	Box	1
14	ST2.9*11.6-C screw	3
15	Check valve	1
16	Check valve type O ring	1
17	Threaded hood	2
18	Main pressure spring	1
19	Head body	1
20	ST4.2*31-F screw	8
21	Cap core	1
22	Cap spring	1
23	skullcap	1
24	ST3.5*22-C screw	1
25	Short rod	1
26	diaphragm	1
27	Long rod	1
28	Magnetic steel	4
29	Medium body	1
30	Press ring	2
31	Hexagon nut	2
32	Copper float module	1
33	Copper sleeve	1

TOTAL

One-Stop Tools Station

TOTAL



AUTOMATIC PUMP CONTROL

 ELEK

10Bar 10A