

Medium Grey (GY) finish

### 7162 LED

The impact resistant 7162 LED carries an architectural aesthetic that can be utilized both outdoors and indoors. This wet-listed unit is constructed of robust die-cast aluminum, while the diffuser is constructed of stout, 0.10" thick UV stabilized white polycarbonate. Hardware consists of tamper-resistant, stainless steel screws. This versatile unit can be used in a variety of applications such as breezeways, corridors, porte-cocheres, stairwells, garages, commercial restrooms and more. It also serves as a decorative, yet durable solution for vandal prone applications such as student housing and schools. Ceiling or wall mount. Battery backup optional.

### FINISHES



# 7162 LED

## STANDARD SPECIFICATIONS

### HOUSING

Heavy duty, marine grade die-cast aluminum construction. The housing features a silicone seal that is positioned on the edge of the opening against the diffuser to prevent water intrusion. Hardware consists of tamper resistant, stainless steel socket drive screws.

### DIFFUSER

Impact resistant, 0.10" thick white polycarbonate. UV stabilized.

### REFLECTOR

Aluminum with a powder coat high reflectance white finish.

### LED PERFORMANCE - 3500K STANDARD

120-277V - 3500K, 82 CRI - L80 rating - 60,000 hrs - L70 rating (projected) - 100,000 hrs  
 Amperage rated @ 110V input  
 Operating ambient temperature: -20°C / -4°F - 40°C / 104°F

Standard 3500K source lumens noted. Consult Brownlee.com for performance of all CCTs.

B6LED - 6W nominal, .05 A input - 698 lm - 114 lm/W  
 B12LED - 12W nominal, .10 A input - 1422 lm - 120 lm/W  
 C9LED - 9W nominal, .10 A input - 1072 lm - 122 lm/W  
 C13LED - 13W nominal, .10 A input - 1203 lm - 97 lm/W  
 C17LED - 17W nominal, .15 A input - 1829 lm - 111 lm/W  
 C24LED - 24W nominal, .20 A input - 2558 lm - 107 lm/W

### MOUNTING

Directly to j-box (by others). Mounting hardware included. Not available with conduit entry.

### FINISH

The 7162 is finished in a Medium Grey powder coat as a standard offering. Optional finishes available.

### WARRANTY

5 year limited warranty on this LED product. Consult factory for details.

### ORDERING INFORMATION

**7162** -          -          -          -           
 Model                      2.                      3.                      4. (if required)

#### 2. FINISH

**GY**      **STANDARD**  
 Medium Grey

**AB**      **OPTIONAL**  
 Antique Bronze  
**AS**      Antique Silver  
**BL**      Black  
**BT**      Brass Tone  
**BZ**      Bronze  
**DB**      Desert Bronze  
**GM**      Gun Metal  
**MB**      Metallic Bronze  
**NT**      Nickel Tone  
**PL**      Platinum  
**WH**      White

#### 3. WATTAGE

**B6LED**    1-B Series board  
**B12LED**   2-B Series boards

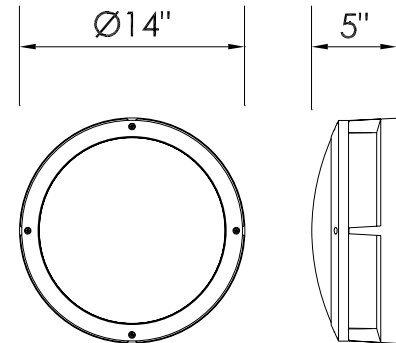
**C9LED**    1-C Series board  
**C13LED**   1-C Series board  
**C17LED**   2-C Series boards  
**C24LED**   2-C Series boards

Note: Contact factory for higher lumen packages.

<b>PROJECT:</b>
<b>MODEL #:</b>
<b>FIXTURE TYPE:</b>



GY finish



#### 4. AVAILABLE OPTIONS

**35K**    3500K standard color temperature  
**27K**    2700K color temperature  
**30K**    3000K color temperature  
**40K**    4000K color temperature  
**BAC**    Buy American Compliant  
**BBI<sup>4,6</sup>**   Integral Battery Backup (C9LED and C13LED only)  
**BLD<sup>2,3</sup>**   Bi-Level Dimming (All except B6LED)  
**DIM**    Dimming driver (120-277V)(All except B6LED)  
 (0-10V dimming control required)  
**DTR**    Triac (Line Voltage) Dimming (120V) (All except  
 B6LED and C13LED)  
**ECW**    Extreme Cold Weather (-40°C / -40°F min.)  
**ES**      ENERGY STAR®  
**OCC<sup>2</sup>**    Occupancy Sensor

2) Occupancy sensor operates with microwaves and is not recommended for use in waiting areas with elevators.  
 3) Bi-Level dimming includes a 0-10V dimming driver and is field adjustable from 100% to a dimmed level of 10,20,30 or 50%. All units are factory set at 50%.  
 4) Cannot be combined with BLD, DALI or OCC options.  
 6) BBI option has a minimum operating temperature of 50°F. Cannot be used with ECW.

### Specifications and dimensions subject to change without notice.

Consult your Brownlee Lighting representative for availability and ordering information.