



Brushed Nickel (BN) finish



### 5174 LED

The 5174 features a slim, minimalist design and can be mounted horizontally over a mirror or vertically as a sconce. Diffuser is constructed of stout, matte-white acrylic with three sizes to choose from. Housing and decorative trim are standard in Brushed Nickel with optional finishes available.

### FINISHES



# 5174 LED

## STANDARD SPECIFICATIONS

### HOUSING

Cold rolled steel, die-formed, and assembled with hardware and welds. The housing can be mounted horizontal or vertical.

### DIFFUSER

Translucent, UV stabilized white acrylic. The extruded material can withstand minor impact without breaking. The decorative trim brackets are attached with hardware.

### LED PERFORMANCE - 3500K STANDARD

120-277V - 3500K, 82 CRI - L80 rating - 60,000 hrs - L70 rating (projected) - 100,000 hrs

Amperage rated @ 110V input

Operating ambient temperature: -20°C / -4°F - 40°C / 104°F

Standard 3500K source lumens noted. Consult Brownlee.com for performance of all CCTs.

H16 - 16W nominal, .14 A input - 2076 lm - 126 lm/W. Dimmable (0-10V).

H25 - 25W nominal, .20 A input - 3200 lm - 132 lm/W. Dimmable (0-10V).

H32 - 32W nominal, .26 A input - 4119 lm - 130 lm/W. Dimmable (0-10V).

F23 - 23W nominal, .30 A input - 2762 lm - 122 lm/W. Dimmable (0-10V).

F45 - 45W nominal, .60 A input - 5500 lm - 124 lm/W. Dimmable (0-10V).

### MOUNTING

Fixture mounts directly to a 2x4 j-box (by others) with a 4x4 j-box cover plate included, matched to the specified finish.

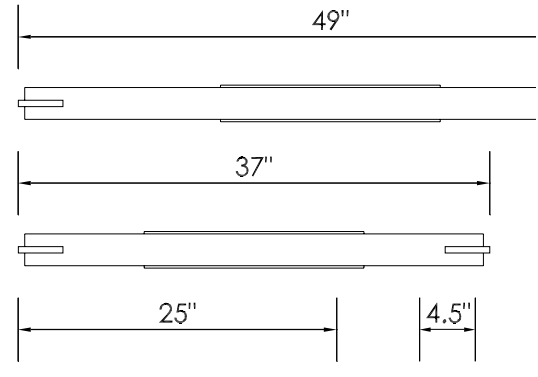
### FINISH

The 5174 series is finished in brushed nickel as a standard. It is available in all Brownlee paint finishes as an optional offering. Plated finishes such as Brushed Nickel are suitable for indoor applications only. Installation outdoors voids the Brownlee Limited Warranty.

### WARRANTY

5 year limited warranty on this LED product. Consult factory for details.

<b>PROJECT:</b>
<b>MODEL #:</b>
<b>FIXTURE TYPE:</b>



## ORDERING INFORMATION

**5174** - \_\_\_\_\_  
 Model                      2.                      3.                      4.                      5.                      6. (if required)

### 2. SIZE

- 25** L: 25"
- 37** L: 37"
- 49** L: 49"

### 3. FINISH

**STANDARD**  
**BN** Brushed Nickel

**OPTIONAL**  
**BL** Black  
**BZ** Bronze  
**GM** Gun Metal  
**MB** Metallic Bronze  
**MG** Metallic Gold  
**NT** Nickel Tone  
**PL** Platinum  
**WH** White

**CUSTOM**  
 Provide color sample or RAL code to match

### 4. WATTAGE

**25 SIZE**  
**H16** 16W H Series LED  
**F23** 23W F Series LED

**37 SIZE**  
**H25** 25W H Series LED

**49 SIZE**  
**H32** 32W H Series LED  
**F45** 45W F Series LED

### 5. COLOR TEMPERATURE

**35K** 3500K standard color temperature  
**30K** 3000K color temperature  
**40K** 4000K color temperature

### 6. AVAILABLE OPTIONS

**90R<sup>0</sup>** 90 CRI (3000K only) (H Series only)  
**BAC<sup>1</sup>** Buy American Compliant  
**DTR<sup>4</sup>** Triac (Line Voltage) Dimming (120V) (H Series Only)  
**ES<sup>6</sup>** ENERGY STAR® (Not available in 90 CRI)  
**FCL<sup>7</sup>** French Canadian Labels

**Notes:** (0) **90R** - cannot be combined with ES or T24 (1) **BAC** - cannot be combined with FCL (2) **BBI/BBS/BBC** - cannot be combined with DTR, ECW, EXT, or T24 (3) **BLD** - cannot be combined with DTR, OCC, or T24 (4) **DTR** - cannot be combined with BBI, BBC, BBS, BLD or T24 (5) **ECW** - cannot be combined with BBI, BBC, or DTR (6) **ES** - cannot be combined with 90R, DTR, FCL, or T24 (7) **FCL** - cannot be combined with BAC, ES, or T24 (8) **OCC** - cannot be combined with BLD (9) **T24** - cannot be combined with 90R, BBI, BBC, BBS, BLD, DTR, ES, or FCL (10) **BBS** - cannot be combined with BLD, DTR, ECW, EXT, OCC, or T24 (11) **PCH/PC4** cannot be combined with BLD or OCC

**Add'l Notes:** \***BBI/BBS/BBC** - standard BBI (and BBS) option has a minimum operating temperature of 10C/50F. BBC option has a minimum operating temperature of -20C/-4F. \*\***BLD** - Bi-Level Dimming is field adjustable from 100% to a dimmed light level of 10, 20, 30, or 50%. All units are factory set at 50%.

### Specifications and dimensions subject to change without notice.

Consult your Brownlee Lighting representative for availability and ordering information.

