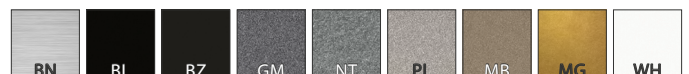


Brushed Nickel (BN) finish

5172 LED

The 5172 features a slim, minimalist design and can be mounted horizontally over a mirror or vertically as a sconce. Diffuser is constructed of stout, matte-white acrylic with three sizes to choose from. Housing and decorative trim are standard in Brushed Nickel with optional finishes available.

FINISHES



5172 LED

STANDARD SPECIFICATIONS

HOUSING

Cold rolled steel, die-formed, and assembled with hardware and welds. The housing can be mounted horizontal or vertical.

DIFFUSER

Translucent, UV stabilized white acrylic. The extruded material can withstand minor impact without breaking. The decorative trim brackets are attached with hardware.

LED PERFORMANCE - 3500K STANDARD

120-277V - 3500K, 82 CRI - L80 rating - 60,000 hrs - L70 rating (projected) - 100,000 hrs
 Amperage rated @ 110V input
 Operating ambient temperature: -20°C / -4°F - 40°C / 104°F

Standard 3500K source lumens noted. Consult Brownlee.com for performance of all CCTs.

H16 - 16W nominal, .14 A input - 2076 lm - 126 lm/W. Dimmable (0-10V).
 H25 - 25W nominal, .20 A input - 3200 lm - 132 lm/W. Dimmable (0-10V).
 H32 - 32W nominal, .26 A input - 4119 lm - 130 lm/W. Dimmable (0-10V).
 F23 - 23W nominal, .30 A input - 2762 lm - 122 lm/W. Dimmable (0-10V).
 F45 - 45W nominal, .60 A input - 5500 lm - 124 lm/W. Dimmable (0-10V).

MOUNTING

Fixture mounts directly to a 2x4 j-box (by others) with a 4x4 j-box cover plate included, matched to the specified finish.

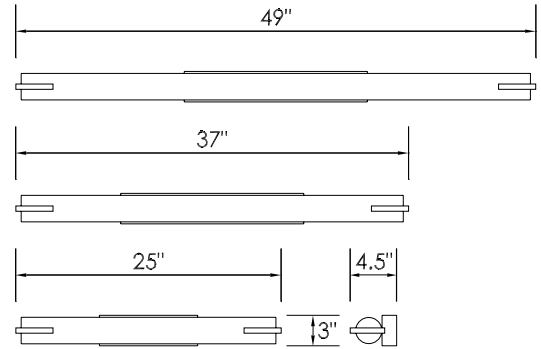
FINISH

The 5172 series is finished in brushed nickel as a standard. It is available in all Brownlee paint finishes as an optional offering. Plated finishes such as Brushed Nickel are suitable for indoor applications only. Installation outdoors voids the Brownlee Limited Warranty.

WARRANTY

5 year limited warranty on this LED product. Consult factory for details.

PROJECT:
MODEL #:
FIXTURE TYPE:



ORDERING INFORMATION



5172 - _____
 Model 2. 3. 4. 5. 6. (if required)

2. SIZE

25 L: 25"
37 L: 37"
49 L: 49"

3. FINISH

STANDARD
BN Brushed Nickel

OPTIONAL
BL Black
BZ Bronze
GM Gun Metal
MB Metallic Bronze
MG Metallic Gold
NT Nickel Tone
PL Platinum
WH White

CUSTOM
 Provide color sample or RAL code to match

4. WATTAGE

25 SIZE
H16 16W H Series LED
F23 23W F Series LED

37 SIZE
H25 25W H Series LED

49 SIZE
H32 32W H Series LED
F45 45W F Series LED

5. COLOR TEMPERATURE

35K 3500K standard color temperature
30K 3000K color temperature
40K 4000K color temperature

6. AVAILABLE OPTIONS

90R⁰ 90 CRI (3000K only) (H Series only)
BAC¹ Buy American Compliant
DTR⁴ Triac (Line Voltage) Dimming (120V) (H Series Only)
ES⁶ ENERGY STAR® (Not available in 90 CRI)
FCL⁷ French Canadian Labels

Notes: (0) **90R** - cannot be combined with ES or T24 (1) **BAC** - cannot be combined with FCL (2) **BBI/BBS/BBC** - cannot be combined with DTR, ECW, EXT, or T24 (3) **BLD** - cannot be combined with DTR, OCC, or T24 (4) **DTR** - cannot be combined with BBI, BBC, BBS, BLD or T24 (5) **ECW** - cannot be combined with BBI, BBC, or DTR (6) **ES** - cannot be combined with 90R, DTR, FCL, or T24 (7) **FCL** - cannot be combined with BAC, ES, or T24 (8) **OCC** - cannot be combined with BLD (9) **T24** - cannot be combined with 90R, BBI, BBC, BBS, BLD, DTR, ES, or FCL (10) **BBS** - cannot be combined with BLD, DTR, ECW, EXT, OCC, or T24 (11) **PCH/PC4** cannot be combined with BLD or OCC

Add'l Notes: ***BBI/BBS/BBC** - standard BBI (and BBS) option has a minimum operating temperature of 10C/50F. BBC option has a minimum operating temperature of -20C/-4F. ****BLD** - Bi-Level Dimming is field adjustable from 100% to a dimmed light level of 10, 20, 30, or 50%. All units are factory set at 50%.

Specifications and dimensions subject to change without notice.

Consult your Brownlee Lighting representative for availability and ordering information.



REVISED
2019.02.05