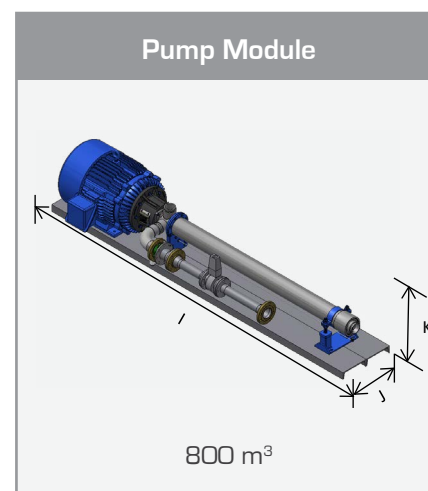
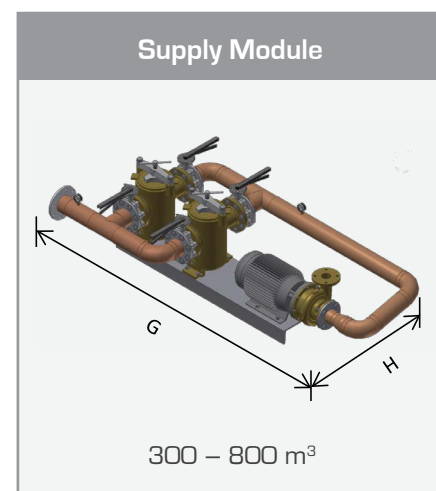
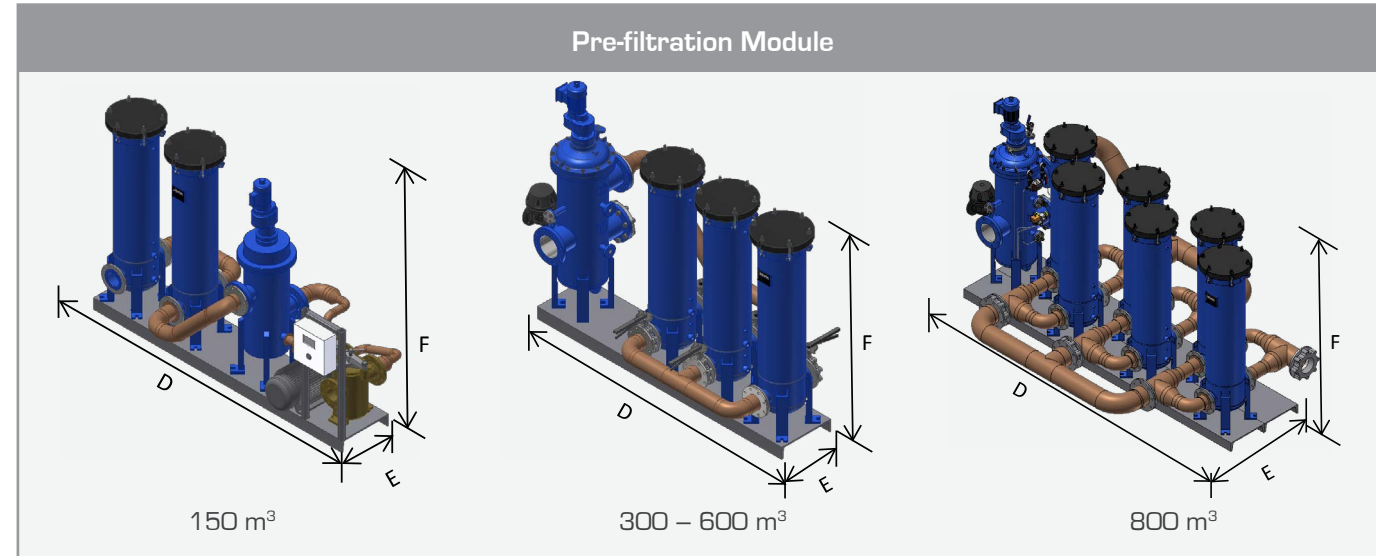
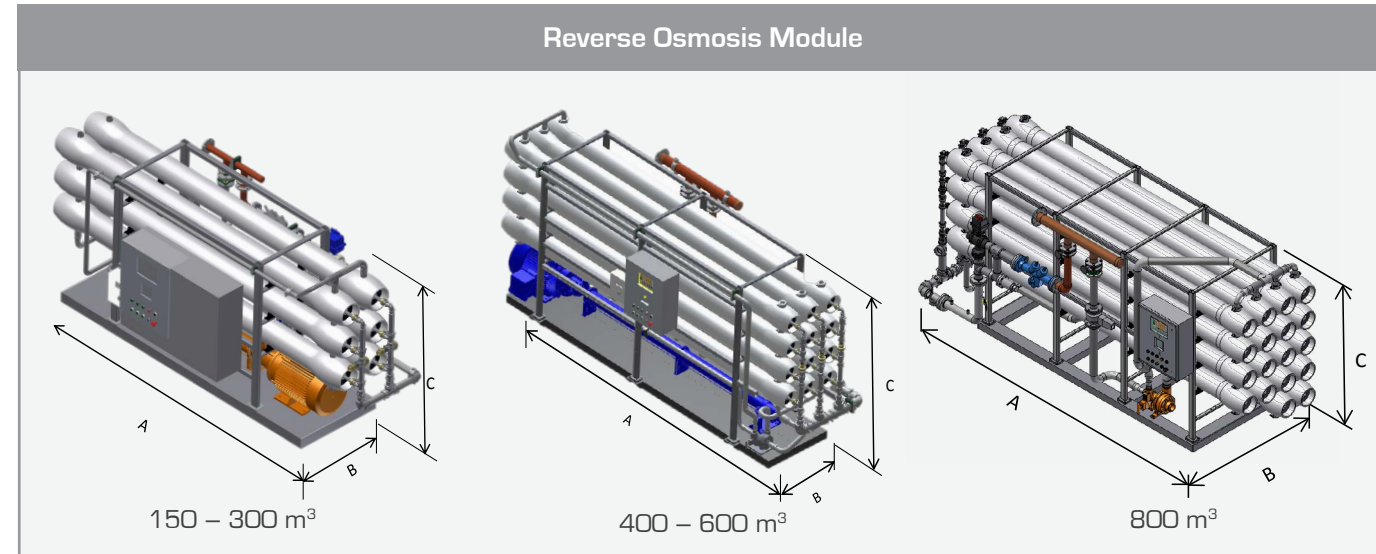


CASE MARINE REVERSE OSMOSIS SYSTEM



Case Marine Advantage

- 100% tested membranes
- Passive media filtration eliminated
- Robust 90/10 CuNi filter housings
- Components designed to be rebuilt at sea by ship's crew
- 24-hour international service and support

REVERSE OSMOSIS SYSTEM SPECIFICATIONS

Standard System Dimensions (mm)

SYSTEM PRODUCTION	RO MODULE			PRE-FILTRATION MODULE			SUPPLY MODULE		PUMP MODULE			MOTOR CONTROL CENTER		
	A	B	C	D	E	F	G	H	I	J	K	L	M	N
150 m ³	3048	914	1651	2438	457	1651	N/A	N/A	N/A	N/A	N/A	N/A	N/A	N/A
300 m ³	3048	914	1854	2286	457	1651	2362	1194	N/A	N/A	N/A	N/A	N/A	N/A
400 m ³	4826	914	2540	2286	457	1651	2362	1194	N/A	N/A	N/A	48	18	72
500 m ³	4902	1092	2260	2286	457	1858	2362	1194	N/A	N/A	N/A	60	18	72
600 m ³	4902	1092	2540	2286	457	1858	2362	1194	N/A	N/A	N/A	60	18	72
800 m ³	4895	1625	2246	3352	2095	1858	2362	1194	3810	836	683	60	18	72

Standard Model Weights (kg)

SYSTEM PRODUCTION	RO MODULE		PRE-FILTRATION MODULE		SUPPLY MODULE		PUMP MODULE		MOTOR CONTROL CENTER	
	DRY	WET	DRY	WET	DRY	WET	DRY	WET	DRY	WET
150 m ³	2698	3571	1017	1334	N/A	N/A	N/A	N/A	N/A	N/A
300 m ³	3846	5137	1008	1417	531	600	N/A	N/A	522	522
400 m ³	4490	5920	1008	1417	531	600	N/A	N/A	522	522
500 m ³	5030	6739	1008	1417	531	600	N/A	N/A	522	522
600 m ³	6187	8318	1008	1417	531	600	N/A	N/A	522	522
800 m ³	5525	8069	1795	2688	660	729	1689	1749	522	522

Standard System Specification

SYSTEM PRODUCTION /24 HOURS	FEED FLOW (M ³ / HR)	NO. OF PRESSURE VESSELS	NO. OF MEMBRANES	ENERGY CONSUMPTION (KW)	STANDARD CONNECTION SIZES			
					FRESH WATER	FEED	OVERBOARD	INTER-CONNECTING
150 m ³	18.8	6	24	41.8	DN 50	DN 50	DN 50	DN 50
300 m ³	36.3	9	27	57.8	DN 100	DN 100	DN 100	DN 100
400 m ³	45.4	10	40	58.7	DN 100	DN 100	DN 100	DN 100
500 m ³	55.4	12	48	83.6	DN 100	DN 100	DN 100	DN 100
600 m ³	69.3	15	60	128.1	DN 100	DN 100	DN 100	DN 100
800 m ³	89.5	18	72	136.7	DN 150	DN 150	DN 150	DN 150

Design Parameters 10° C Seawater, 10% Fouling Factor

Common System Features

- 2205 SS Duplex Piping for high pressure
- US Military-grade CuNi for low pressure and brine
- GF Instaflex Freshwater piping
- Digital Touchscreen
- Variable frequency motor drive
- Turbo style energy recovery system
- Boll and Kirch automatic self-cleaning filter