



BRADFORD WHITE[®]
W A T E R H E A T E R S

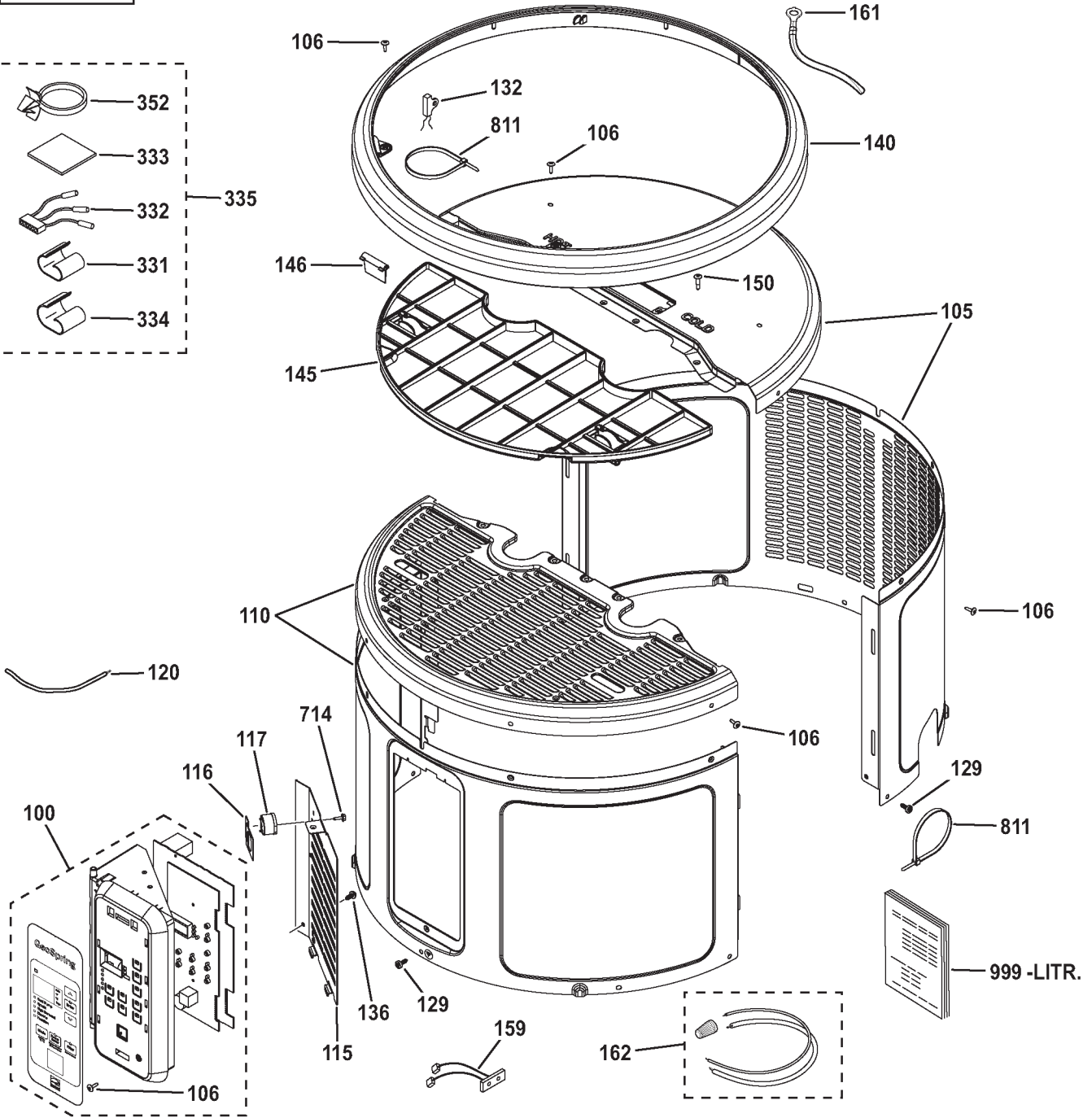
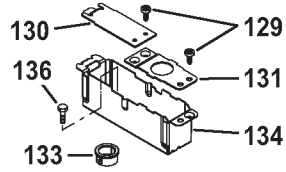
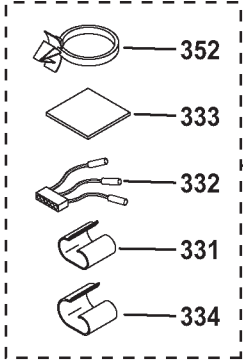
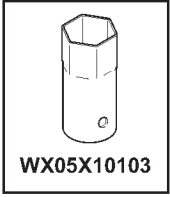
REPLACEMENT PARTS LIST
AeroTherm Series[™]
Residential Heat Pump Models



Effective: December, 2015
ECO 7950-4

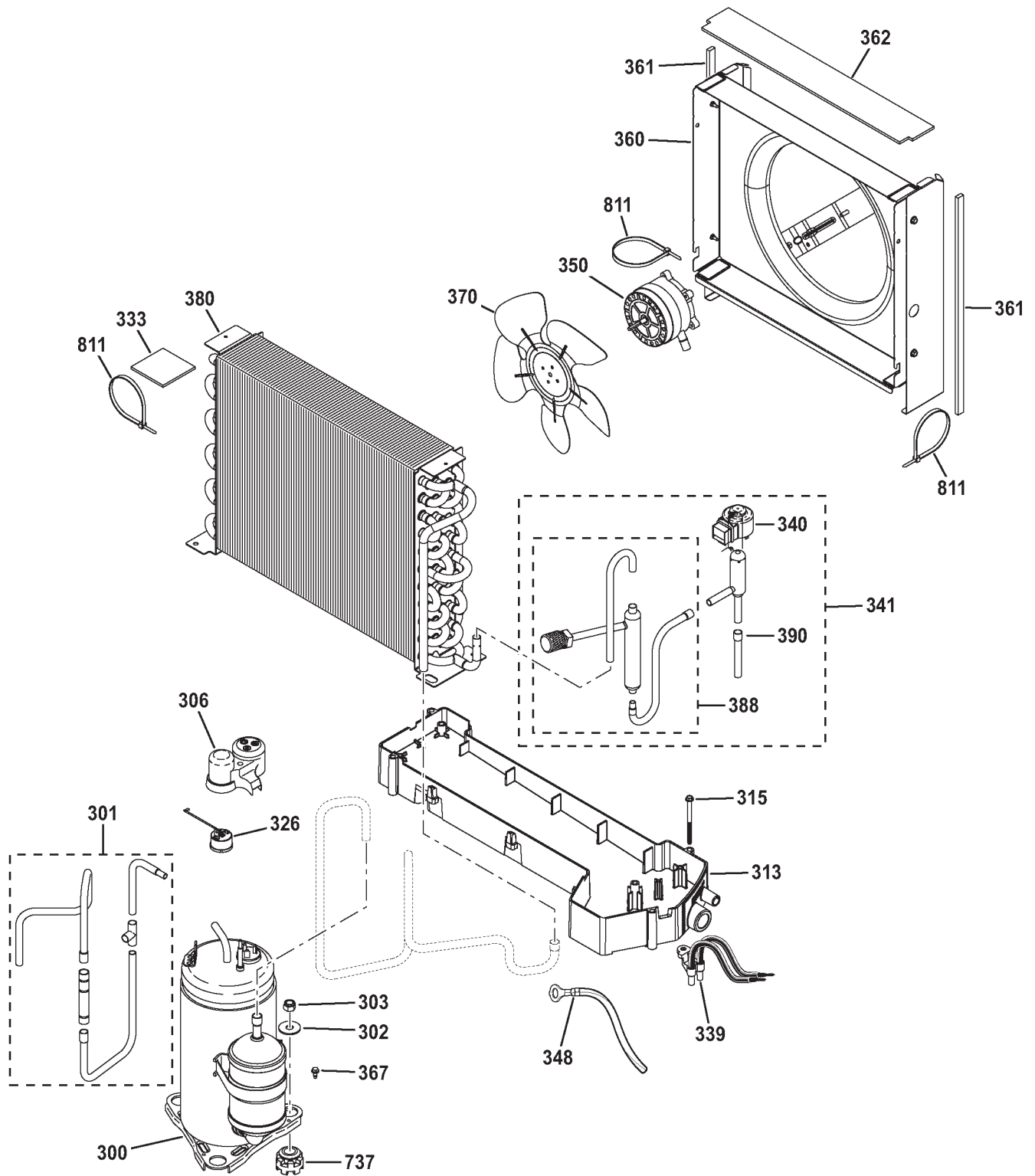
**NOTE: BOTH MODEL AND SERIAL
NUMBERS ARE REQUIRED FOR
ORDERING REPLACEMENT PARTS**

Dimensions and specifications
subject to change without notice.



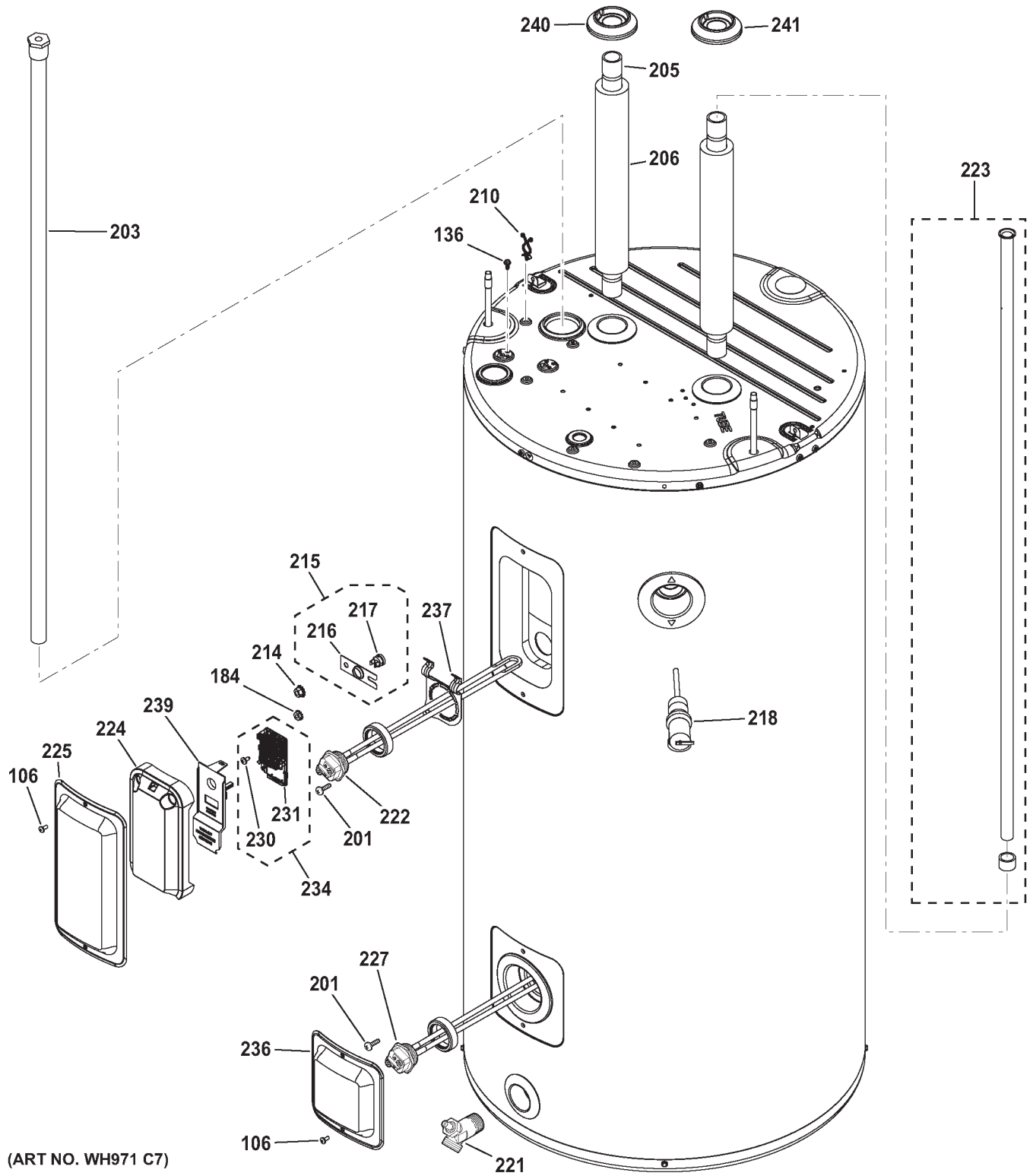
Item	Description	Model
		RE2H(50,80)R*
100	CONTROL ASM, BLACK	WS35X20583
105	REAR SHROUD ASM	WS31X20222
106	SCR 8-18 B PNT7/16 S RED (x13)	WS02X10083
110	FRONT SHROUD BLACK SERVICE KIT	WS35X20524
115	REAR CONTROL COVER	WS31X20384
116	BRKT OVERLOAD	WS28X10075
117	OVERLOAD COMP	WS08X20363
120	WIRE (E-D) YELLOW	WS19X10033
129	SCR 10-32 GX PNT20 1/2 S (x13)	WS02X10086
130	COVER ACCESS J- BOX	WS01X20382
131	COVER FIXED J- BOX	WS01X20383
132	SENSOR T5	WS17X10008
133	GROMMET DC (J-BOX)	WS02X10072
134	CAVITY JUNCTION BOX	WS01X20381
136	SCR 10-32 GX HXW 7/16 S (x5)	WS02X10087
140	TRIM RING	WS31X10061
145	FILTER AIR	WS31X10058
146	COVER AIR FILTER SNAP (x2)	WS01X10053
150	SCR 8-18 B PNT 3/4 S RED (x5)	WS02X10084
159	T2 WIRE REPAIR KIT	WS19X10040
161	GROUND WIRE TO J-BOX	WS19X10038
162	WIRE L1-L2 REPAIR KIT	WS19X10039
331	CLIP SENSOR (T3A/T4) (x2)	WS02X10078
332	SENSOR (T3A/T3B/T4)	WS17X10007
333	MASTIC THERMAL SENSOR (x2)	WS03X10075
334	CLIP SENSOR (T3B)	WS02X10079
335	SENSOR ASM (T3A/T3B/T4)	WS17X10011
352	WIRE TIE/PLUG	WH01X10217
811	WIRE TIE (x12)	WR02X11607
999	PM USE & CARE	49-50301

*Applies to all warranties



Item Description	Model
	RE2H(50,80)R*
300 COMPRESSOR	WS87X20403
301 DISCHARGE TUBE KIT	WS35X20591
302 WASHER FLAT (x3)	WS02X20445
303 NUT 5/16-18 HEX (x3)	WS02X20444
306 COVER TERMINAL	WS31X20404
313 CONDENSATE DRAIN PAN	WS28X20385
315 SCR 10-32 HXW 2 1/2 S (x4)	WS02X10085
326 OVERLOAD COMP	WS08X20405
333 MASTIC THERMAL SENSOR (x2)	WS03X10075
339 CONDENSATE OVERFLOW KIT	WS35X20622
340 EEV COIL	WS17X20589
341 EEV VALVE KIT	WS35X20590
348 WIRE (G-B) GRD COMPRESSO	WS19X10034
350 FAN MOTOR EC	WS26X20393
360 FAN SHROUD ASM	WS35X20392
361 SEAL FOAM BARRIER (x2)	WS16X10003
362 SEAL FOAM EVAP	WS16X10002
367 SCR 8-32 GX IHX 3/8 SCA	WR01X10757
370 BLADE FAN	WS26X20102
380 EVAPORATOR KIT	WS35X20621
388 FILTER DRYER KIT	WS35X20594
390 COMP PROCESS TUBE 5/16	WS07X10035
737 GROMMET (x3)	WR02X22869
811 WIRE TIE (x12)	WR02X11607

*Applies to all warranties



(ART NO. WH971 C7)

Item	Description	Model
		RE2H(50,80)R*
106	SCR 8-18 B PNT7/16 S RED (x13)	WS02X10083
136	SCR 10-32 GX HXW 7/16 S (x5)	WS02X10087
184	NUT KEPS 10-32 SPECIAL	WH02X10300
201	SCR 10-32 PNUP 13/32 S (x4)	WS02X10077
203	ROD ANODE-50G	WS02X20625
205	WATER EXTENSION PIPE (x2)	WS07X20401
206	TUBE INSULATION, PIPE (x2)	WS07X10031
210	WIRE TIE BALL (x6)	WS02X10073
214	1/4-20 HEX NUT - LOCKING	WS02X10075
215	THERMISTOR T2 ASM	WS17X20586
216	BRACKET THERMISTOR T2	WS28X20587
217	TANK THERMISTOR T2	WS17X10006
218	VALVE, TEMP/PRESSURE RELIEF	WS06X10014
221	VALVE DRAIN STRAIGHT	WS06X20402
222	ELEMENT HEATING W GASKET	WS51X20161
223	DIPTUBE ASM	WS08X20361
224	COVER ELMNT (UPPER) EPS	WS82X10006
225	COVER ELMNT METAL U. RED	WS31X10055
227	ELEMENT HEATING W GASKET	WS51X20588
230	SCR 10-32 PNUP 3/8 S (x4)	WS02X10076
231	TCO (THERMAL CUT OUT)	WS17X10009
234	TCO DLB AND SCREWS	WS17X10012
236	COVER ELMNT METAL L. RED	WS31X10056
237	CLIP SPRING TCO	WS03X10074
239	BARRIER DIELECTRIC	WS34X10026
240	GROMMET OUTLET, RED	WS01X10050
241	GROMMET INLET, BLUE	WS01X10051

*Applies to all warranties



BRADFORD WHITE[®]

W A T E R H E A T E R S

Ambler, PA

For U.S. and Canada field service,
contact your professional installer or
local Bradford White sales representative.

Sales/800-523-2931
Fax/215-641-1670
Parts Fax/215-641-2180

Technical Support/800-334-3393
Fax/269-795-1089

Warranty/800-531-2111
Fax/269-795-1089

International:
Telephone/215-641-9400
Telefax/215-641-9750



BRADFORD WHITE-CANADA[®] INC.

Mississauga, ON

Sales/866-690-0961
905-238-0100

Fax/905-238-0105

Technical Support/800-334-3393

Email

parts@bradfordwhite.com
techserv@bradfordwhite.com

www.bradfordwhite.com