



BRADFORD WHITE[®]
W A T E R H E A T E R S

RESIDENTIAL REPLACEMENT PARTS LIST

**Eco-DEFENDER[®] Ultra Low NOx
(U1), (U4) & (U2XR) Models**

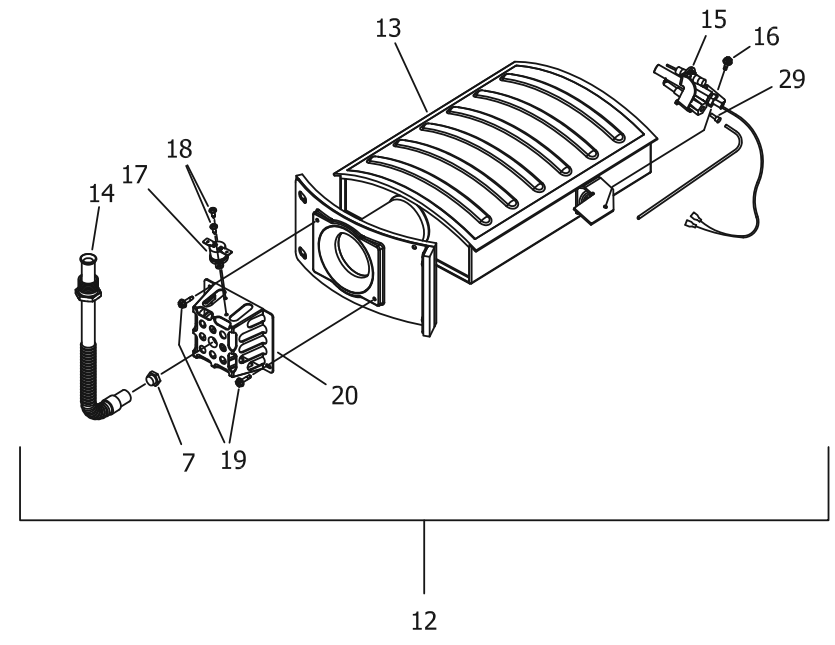
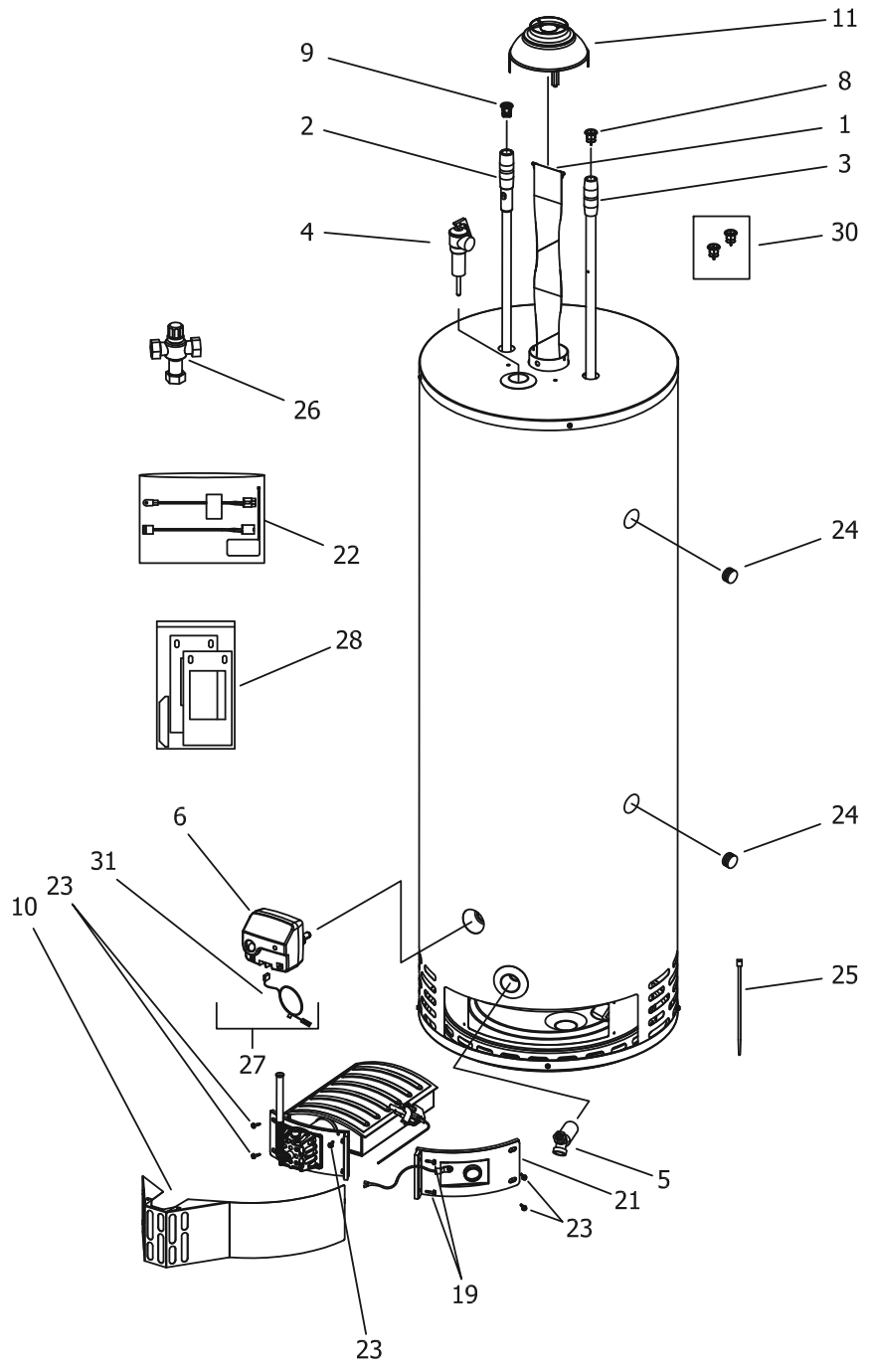


Includes Hydrojet[®]
Total Performance System

***Effective: November, 2012
ECO 7800***

**NOTE: BOTH MODEL AND SERIAL
NUMBERS ARE REQUIRED FOR
ORDERING REPLACEMENT PARTS**

Dimensions and specifications
subject to change without notice.



Item	Description	Model	Model	Model	Model	Model
		U130S*FRN	U130T*FRN	U1403S*FRN	U140T*FRN	U1503*FRN
1	Flue Baffle	243-45226-00	243-44639-00	243-45223-00	243-50065-03	243-44705-00
2	Hot Water Outlet Anode (magnesium) ▲▲	224-47776-15	224-47776-16	224-47776-05	224-47776-17	224-47776-12
	Hot Water Outlet Anode (Aluminum) ▲▲	224-32999-25	224-32999-24	224-32999-10	224-32999-24	224-32999-21
	Hot Water Outlet A420 ▲▲ #	224-49560-08	224-49560-08	224-49560-08	224-49560-08	224-49560-08
3	Cold Water Inlet Dip Tube Polypropylene ▲	229-39625-24	229-39625-23	229-39625-03	229-39625-25	229-39625-22
	Cold Water Inlet Polysulfone (NC Code)▲	229-39628-27	229-39628-26	229-39628-03	229-39628-28	229-39628-21
4	T&P Relief Valve	265-32920-01	265-32920-01	265-32920-01	265-32920-01	265-32920-01
5	Drain Valve (Brass)	265-42351-02	265-42351-02	265-42351-02	265-42351-02	265-42351-02
6	Gas valve (Natural) ²	222-48863-01	222-48863-01	222-48863-01	222-48863-01	222-48863-01
	Gas valve (Natural) ¹	222-49000-01	222-49000-01	222-49000-01	222-49000-01	222-49000-01
7	Orifice (normal alt.)	234-18194-43	234-18194-42	234-18194-36	234-18194-36	234-18194-36
	2-5 k altitude	234-18194-45	234-18194-43	234-18194-37	234-18194-37	234-18194-37
8	Heat Trap Insert (Inlet)	239-45073-00	239-45073-00	239-45073-00	239-45073-00	239-45073-00
9	Heat Trap Insert (Outlet)	239-45167-00	239-45167-00	239-45167-00	239-45167-00	239-45167-00
10	Outer Door	239-46209-00	239-46209-00	239-46209-00	239-46209-00	239-46209-00
11	Draft Diverter	243-45787-00	243-45787-00	243-45787-00	243-45787-00	243-45787-00
12	Burner Assembly (normal alt.)***	265-46693-03-43	265-46693-01-42	265-46693-05-36	265-46693-03-36	265-46693-05-36
	2-5 k altitude	265-46693-03-45	265-46693-01-43	265-46693-05-37	265-46693-03-37	265-46693-05-37
13	Burner **	228-48383-16	228-48383-14	228-48383-18	228-48383-16	228-48383-18
14	Flexible Gas Feedline	233-46930-01	233-46930-01	233-46930-01	233-46930-01	233-46930-01
15	Pilot assembly kit without door gasket**	265-48999-05	265-48999-05	265-48999-05	265-48999-05	265-48999-05
	Pilot Assembly kit with door gasket	239-47449-00	239-47449-00	239-47449-00	239-47449-00	239-47449-00
16	Screw #8-18 X 1/2 HWH (1 req'd)	239-32761-00	239-32761-00	239-32761-00	239-32761-00	239-32761-00
17	Thermal Switch	239-43676-03	239-43676-03	239-43676-03	239-43676-03	239-43676-03
18	Screw #6-20 X 3/8 PHCR (2 req'd)	239-43967-00	239-43967-00	239-43967-00	239-43967-00	239-43967-00
19	Screw #8-18 X 3/4 HWH (2 req'd)	239-44195-00	239-44195-00	239-44195-00	239-44195-00	239-44195-00
20	Manifold Mount	239-46201-00	239-46201-00	239-46201-00	239-46201-00	239-46201-00
21	Inner Door Right Side Assembly	239-49784-02	239-49784-01	239-49784-03	239-49784-02	239-49784-03
22	RTD Sensor Kit	265-50016-00	265-50016-00	265-50016-00	265-50016-00	265-50016-00
23	Screw #10-12 X 3/4 HWH (7 req'd)	239-44113-00	239-44113-00	239-44113-00	239-44113-00	239-44113-00
24	Pipe Plug	---	---	---	---	---
25	Wire Tie	239-44328-00	239-44328-00	239-44328-00	239-44328-00	239-44328-00
26	ASSE Approved Mixing Valve (Optional)	239-43740-01	239-43740-01	239-43740-01	239-43740-01	239-43740-01
27	Gas Control Kit ²	239-48863-01	239-48863-01	239-48863-01	239-48863-01	239-48863-01
	Gas Control Kit ¹	239-49000-01	239-49000-01	239-49000-01	239-49000-01	239-49000-01
28	Kit-Inner Door Gasket	239-47062-00	239-47062-00	239-47062-00	239-47062-00	239-47062-00
29	Pilot Orifice **	234-47098-00	234-47098-00	234-47098-00	234-47098-00	234-47098-00
30	Kit-Heat Trap Insert	265-45420-00	265-45420-00	265-45420-00	265-45420-00	265-45420-00
31	Intermediate Gas Valve Harness	239-47892-00	239-47892-00	239-47892-00	239-47892-00	239-47892-00

*Applies to all warranties

**Inner door gasket kit recommended

***Ordering a complete burner assembly may increase delivery time. Please order the specific component required for the quickest delivery.

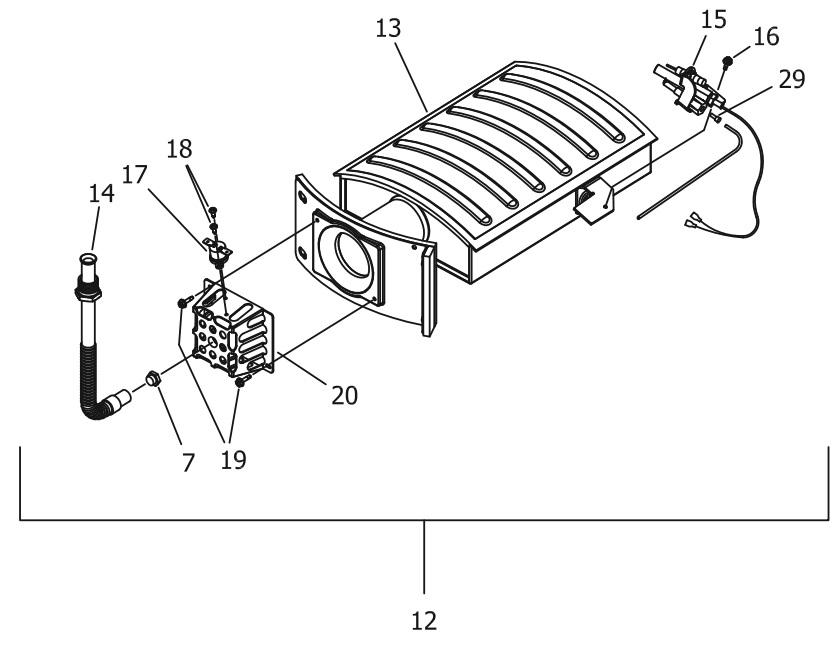
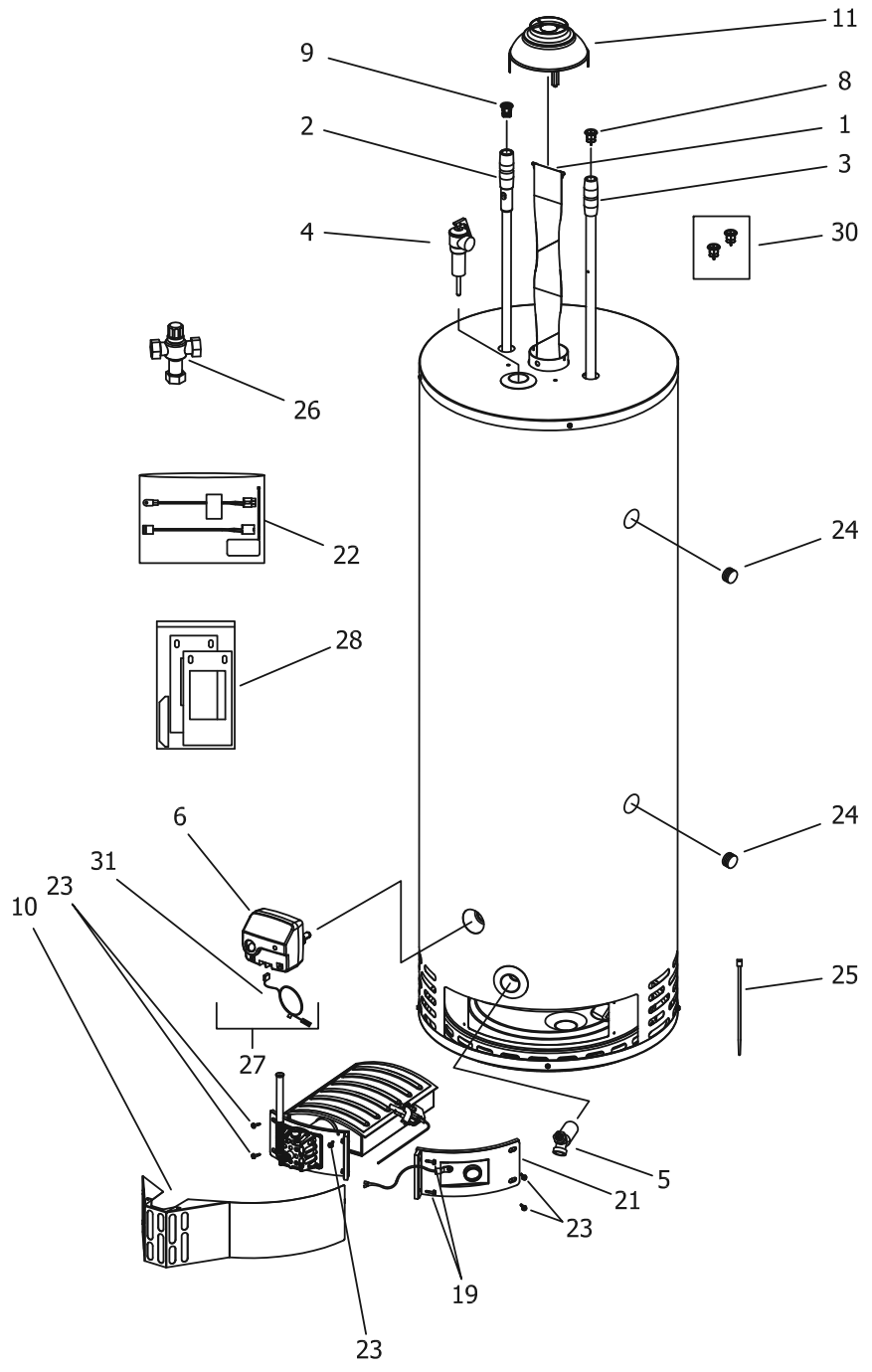
▲ Order with item 8

▲▲ Order with item 9

A420 Anode may need to be cut to length

¹ Serial Numbers on or before JH17001345.

² Serial Numbers after JH17001345.



Item	Description	Model	Model	Model	Model	Model
		U160T*FRN	U150L*FRN	U50T55FR*N	U1404T*FRN	U1504S*FRN
1	Flue Baffle	243-50065-03	243-45223-00	243-41037-00	243-45225-00	243-45225-00
2	Hot Water Outlet Anode (magnesium) ▲▲	224-47776-12	224-47776-05	224-47776-12	224-47776-06	224-47776-07
	Hot Water Outlet Anode (Aluminum) ▲▲	224-32999-30	224-32999-10	224-32999-21	224-32999-06	224-32999-06
	Hot Water Outlet A420 ▲▲ #	224-49560-08	224-49560-08	224-49560-08	224-49560-08	224-49560-08
3	Cold Water Inlet Dip Tube Polypropylene ▲	229-39625-14	229-39625-05	229-39625-19	229-39625-06	229-39625-06
	Cold Water Inlet Polysulfone (NC Code)▲	229-39628-14	229-39628-05	229-39628-19	229-39628-06	229-39628-06
4	T&P Relief Valve	230-32920-01	265-32920-01	230-40594-02	265-32920-01	265-32920-01
5	Drain Valve (Brass)	265-42351-02	265-42351-02	265-42351-02	265-42351-02	265-42351-02
6	Gas valve (Natural) ²	222-48863-01	222-48863-01	222-49861-01	222-48863-01	222-48863-01
	Gas valve (Natural) ¹	222-49000-01	222-49000-01	222-49000-02	222-49000-01	222-49000-01
7	Orifice (normal alt.)	234-18194-36	234-18194-36	234-18194-30	234-18194-32	234-18194-32
	2-5 k altitude	234-18194-37	234-18194-37	234-18194-31	234-18194-33	234-18194-33
8	Heat Trap Insert (Inlet)	239-45073-00	239-45073-00	239-45073-00	239-45073-00	239-45073-00
9	Heat Trap Insert (Outlet)	239-45167-00	239-45167-00	239-45167-00	239-45167-00	239-45167-00
10	Outer Door	239-46209-00	239-46209-00	239-46209-00	239-46209-00	239-46209-00
11	Draft Diverter	243-45787-00	243-45787-00	239-12950-00	243-33081-02-20	239-12950-00
12	Burner Assembly (normal alt.)***	265-46693-07-36	265-46693-07-36	265-46693-07-30	265-46693-03-32	265-46693-05-32
	2-5 k altitude	265-46693-07-37	265-46693-07-37	265-46693-07-31	265-46693-03-33	265-46693-05-33
13	Burner **	228-48383-20	228-48383-20	228-48383-20	228-48383-16	228-48383-18
14	Flexible Gas Feedline	233-46930-01	233-46930-01	233-46930-01	233-46930-01	233-46930-01
15	Pilot assembly kit without door gasket**	265-48999-05	265-48999-05	265-48999-05	265-48999-05	265-48999-05
	Pilot Assembly kit with door gasket	239-47449-00	239-47449-00	239-47449-00	239-47449-00	239-47449-00
16	Screw #8-18 X 1/2 HWH (1 req'd)	239-32761-00	239-32761-00	239-32761-00	239-32761-00	239-32761-00
17	Thermal Switch	239-43676-03	239-43676-03	239-43676-03	239-43676-03	239-43676-03
18	Screw #6-20 X 3/8 PHCR (2 req'd)	239-43967-00	239-43967-00	239-43967-00	239-43967-00	239-43967-00
19	Screw #8-18 X 3/4 HWH (2 req'd)	239-44195-00	239-44195-00	239-44195-00	239-44195-00	239-44195-00
20	Manifold Mount	239-46695-00	239-46201-00	239-46695-00	239-46201-00	239-46201-00
21	Inner Door Right Side Assembly	239-49784-04	239-49784-04	239-49784-03	239-49784-02	239-49784-03
22	RTD Sensor Kit	265-50016-00	265-50016-00	265-50016-00	265-50016-00	265-50016-00
23	Screw #10-12 X 3/4 HWH (7 req'd)	239-44113-00	239-44113-00	239-44113-00	239-44113-00	239-44113-00
24	Pipe Plug	---	---	---	---	---
25	Wire Tie	239-44328-00	239-44328-00	239-44328-00	239-44328-00	239-44328-00
26	ASSE Approved Mixing Valve (Optional)	239-43740-01	239-43740-01	239-43740-01	239-43740-01	239-43740-01
27	Gas Control Kit ²	239-48863-01	239-48863-01	239-49861-01	239-48863-01	239-48863-01
	Gas Control Kit ¹	239-49000-01	239-49000-01	265-49000-02	239-49000-01	239-49000-01
28	Kit-Inner Door Gasket	239-47062-00	239-47062-00	239-47062-00	239-47062-00	239-47062-00
29	Pilot Orifice **	234-47098-00	234-47098-00	234-47098-00	234-47098-00	234-47098-00
30	Kit-Heat Trap Insert	265-45420-00	265-45420-00	265-45420-00	265-45420-00	265-45420-00
31	Intermediate Gas Valve Harness	239-47892-00	239-47892-00	239-47892-00	239-47892-00	239-47892-00

*Applies to all warranties

**Inner door gasket kit recommended

***Ordering a complete burner assembly may increase delivery time. Please order the specific component required for the quickest delivery.

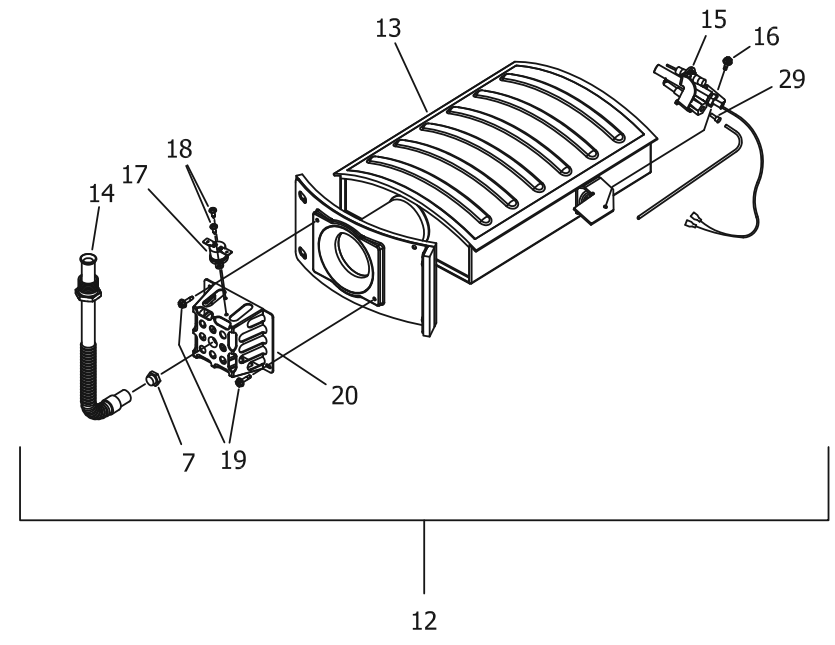
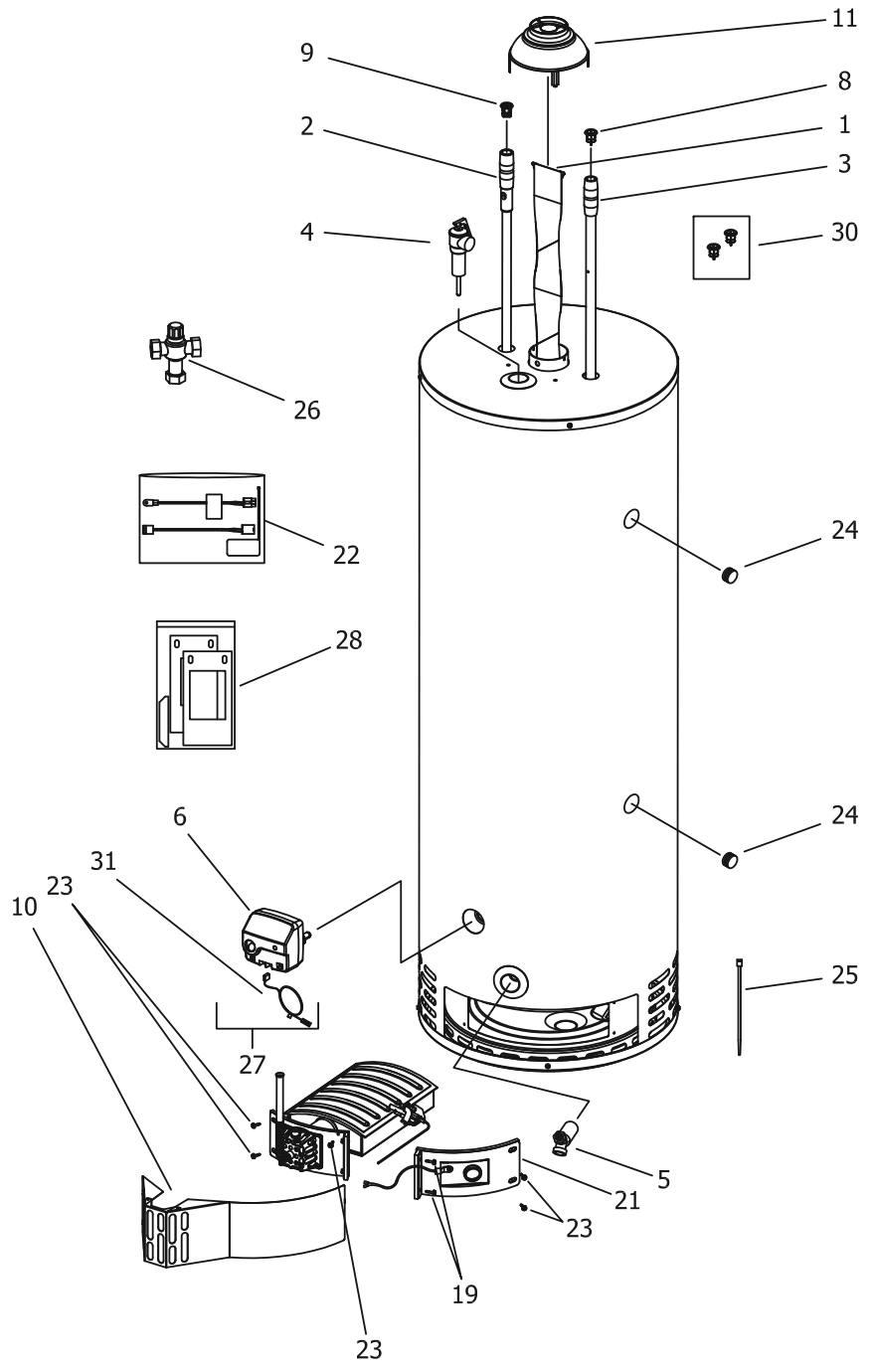
▲ Order with item 8

▲▲ Order with item 9

A420 Anode may need to be cut to length

¹ Serial Numbers on or before JH17001345.

² Serial Numbers after JH17001345.



Item	Description	Model	Model	Model	Model	Model
		U430T*FRN	U440T*FRN	U4403S*FRN	U4503*FRN	U460T*FRN
1	Flue Baffle	243-44639-00	243-50065-03	243-45223-00	243-44705-00	243-50065-03
2	Hot Water Outlet Anode (magnesium) ▲▲	224-47776-16	224-47776-17	224-47776-05	224-47776-12	224-47776-12
	Hot Water Outlet Anode (Aluminum) ▲▲	224-32999-24	224-32999-24	224-32999-10	224-32999-21	224-32999-30
	Hot Water Outlet A420 ▲▲ #	224-49560-08	224-49560-08	224-49560-08	224-49560-08	224-49560-08
3	Cold Water Inlet Dip Tube Polypropylene ▲	229-39625-23	229-39625-25	229-39625-03	229-39625-22	229-39625-14
	Cold Water Inlet Polysulfone (NC Code)▲	229-39628-26	229-39628-28	229-39628-03	229-39628-21	229-39628-14
4	T&P Relief Valve	230-40594-02	230-40594-02	230-40594-02	230-40594-02	230-40594-02
5	Drain Valve (Brass)	265-42351-02	265-42351-02	265-42351-02	265-42351-02	265-42351-02
6	Gas valve (Natural) ²	222-48863-01	222-48863-01	222-48863-01	222-48863-01	222-48863-01
	Gas valve (Natural) ¹	222-49000-01	222-49000-01	222-49000-01	222-49000-01	222-49000-01
7	Orifice (normal alt.)	234-18194-42	234-18194-36	234-18194-36	234-18194-36	234-18194-36
	2-5 k altitude	234-18194-43	234-18194-37	234-18194-37	234-18194-37	234-18194-37
8	Heat Trap Insert (Inlet)	239-45073-00	239-45073-00	239-45073-00	239-45073-00	239-45073-00
9	Heat Trap Insert (Outlet)	239-45167-00	239-45167-00	239-45167-00	239-45167-00	239-45167-00
10	Outer Door	239-46209-00	239-46209-00	239-46209-00	239-46209-00	239-46209-00
11	Draft Diverter	243-45787-00	243-45787-00	243-45787-00	243-45787-00	243-45787-00
12	Burner Assembly (normal alt.)***	265-46693-02-42	265-46693-04-36	265-46693-06-36	265-46693-06-36	265-46693-06-36
	2-5 k altitude	265-46693-02-43	265-46693-04-37	265-46693-06-37	265-46693-06-37	265-46693-06-37
13	Burner **	228-48383-14	228-48383-16	228-48383-18	228-48383-18	228-48383-18
14	Flexible Gas Feedline	233-46930-01	233-46930-01	233-46930-01	233-46930-01	233-46930-01
15	Pilot assembly kit without door gasket**	265-48999-05	265-48999-05	265-48999-05	265-48999-05	265-48999-05
	Pilot Assembly kit with door gasket	239-47449-00	239-47449-00	239-47449-00	239-47449-00	239-47449-00
16	Screw #8-18 X 1/2 HWH (1 req'd)	239-32761-00	239-32761-00	239-32761-00	239-32761-00	239-32761-00
17	Thermal Switch	239-43676-03	239-43676-03	239-43676-03	239-43676-03	239-43676-03
18	Screw #6-20 X 3/8 PHCR (2 req'd)	239-43967-00	239-43967-00	239-43967-00	239-43967-00	239-43967-00
19	Screw #8-18 X 3/4 HWH (2 req'd)	239-44195-00	239-44195-00	239-44195-00	239-44195-00	239-44195-00
20	Manifold Mount	239-46201-00	239-46201-00	239-46201-00	239-46201-00	239-46201-00
21	Inner Door Right Side Assembly	239-49784-01	239-49784-02	239-49784-03	239-49784-03	239-49784-04
22	RTD Sensor Kit	265-50016-00	265-50016-00	265-50016-00	265-50016-00	265-50016-00
23	Screw #10-12 X 3/4 HWH (7 req'd)	239-44113-00	239-44113-00	239-44113-00	239-44113-00	239-44113-00
24	Pipe Plug	---	---	---	---	---
25	Wire Tie	239-44328-00	239-44328-00	239-44328-00	239-44328-00	239-44328-00
26	ASSE Approved Mixing Valve (Optional)	239-43740-01	239-43740-01	239-43740-01	239-43740-01	239-43740-01
27	Gas Control Kit ²	239-48863-01	239-48863-01	239-48863-01	239-48863-01	239-48863-01
	Gas Control Kit ¹	239-49000-01	239-49000-01	239-49000-01	239-49000-01	222-49000-01
28	Kit-Inner Door Gasket	239-47062-00	239-47062-00	239-47062-00	239-47062-00	239-47062-00
29	Pilot Orifice **	234-47098-00	234-47098-00	234-47098-00	234-47098-00	234-47098-00
30	Kit-Heat Trap Insert	265-45420-00	265-45420-00	265-45420-00	265-45420-00	265-45420-00
31	Intermediate Gas Valve Harness	239-47892-00	239-47892-00	239-47892-00	239-47892-00	239-47892-00

*Applies to all warranties

**Inner door gasket kit recommended

***Ordering a complete burner assembly may increase delivery time. Please order the specific component required for the quickest delivery.

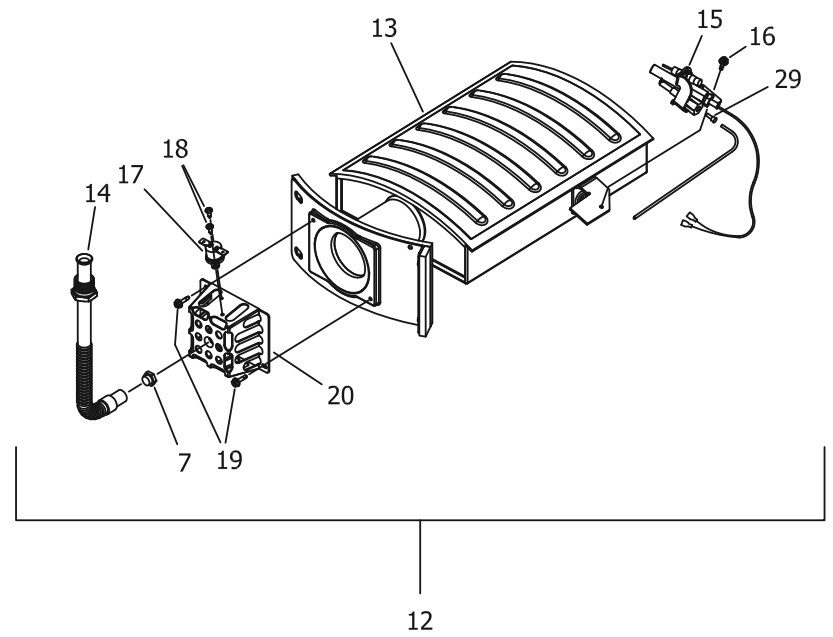
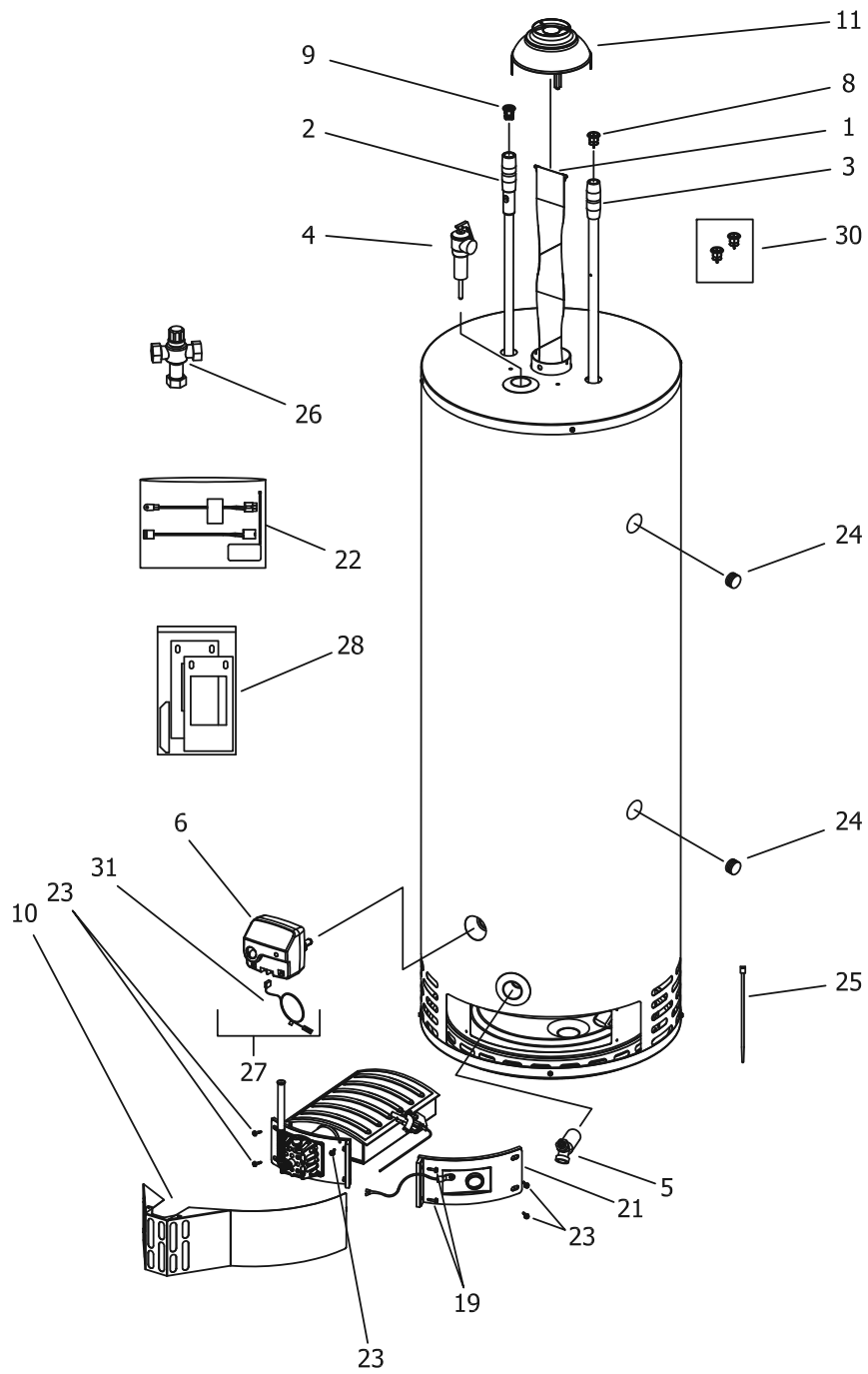
▲ Order with item 8

▲▲ Order with item 9

A420 Anode may need to be cut to length

¹ Serial Numbers on or before JH17001345.

² Serial Numbers after JH17001345.



Item	Description	Model	Model	Model	Model
		U65T55FR*N	U1XR403S*FRN	U2XR504T*FRN	U2XR65T*FRN
1	Flue Baffle	243-46752-00	243-45223-00	243-49943-00	243-46752-00
2	Hot Water Outlet Anode (magnesium) ▲▲	224-47776-08	224-47776-05	224-47776-12	224-47776-08
	Hot Water Outlet Anode (Aluminum) ▲▲	224-32999-06	224-32999-10	224-32999-21	224-32999-06
	Hot Water Outlet A420 ▲▲ #	224-49560-08	224-49560-08	224-49560-08	224-49560-08
3	Cold Water Inlet Dip Tube Polypropylene ▲	229-39625-04	229-39625-03	229-39625-18	229-45398-07
	Cold Water Inlet Polysulfone (NC Code)▲	229-39628-04	229-39628-03	229-39628-18	229-45092-04
4	T&P Relief Valve	230-40594-03	265-32920-01	230-40594-02	230-40594-02
5	Drain Valve (Brass)	265-42351-02	265-42351-02	265-42351-02	265-42351-02
6	Gas valve (Natural) ²	222-49861-01	222-48863-01	222-48863-01	222-48863-01
	Gas valve (Natural) ¹	222-49000-02	222-49000-01	222-49000-01	222-49000-01
7	Orifice (normal alt.)	234-18194-30	234-18194-36	234-18194-30	234-18194-30
	2-5 k altitude	234-18194-31	234-18194-37	234-18194-31	234-18194-31
8	Heat Trap Insert (Inlet)	239-45073-00	239-45073-00	239-45073-00	239-45073-00
9	Heat Trap Insert (Outlet)	239-45167-00	239-45167-00	239-45167-00	239-45167-00
10	Outer Door	239-46209-00	239-46209-00	239-46209-00	239-46209-00
11	Draft Diverter	243-33081-02	243-45787-00	243-33081-02	243-33081-02
12	Burner Assembly (normal alt.)***	243-46693-09-30	265-46693-05-36	265-46693-08-30	265-46693-09-30
	2-5 k altitude	243-46693-09-31	265-46693-05-37	265-46693-08-31	265-46693-09-31
13	Burner **	228-48383-18	228-48383-18	228-48383-19	228-48383-21
14	Flexible Gas Feedline	233-46930-01	233-46930-01	233-46930-01	233-46930-01
15	Pilot assembly kit without door gasket**	265-48999-05	265-48999-05	265-48999-05	265-48999-05
	Pilot Assembly kit with door gasket	239-47449-00	239-47449-00	239-47449-00	239-47449-00
16	Screw #8-18 X 1/2 HWH (1 req'd)	239-32761-00	239-32761-00	239-32761-00	239-32761-00
17	Thermal Switch	239-43676-03	239-43676-03	239-43676-03	239-43676-03
18	Screw #6-20 X 3/8 PHCR (2 req'd)	239-43967-00	239-43967-00	239-43967-00	239-43967-00
19	Screw #8-18 X 3/4 HWH (2 req'd)	239-44195-00	239-44195-00	239-44195-00	239-44195-00
20	Manifold Mount	239-46201-00	239-46201-00	239-46201-00	239-46201-00
21	Inner Door Right Side Assembly	239-49784-04	239-49784-03	239-49784-03	239-49784-04
22	RTD Sensor Kit	265-50016-00	265-50016-00	265-50016-00	265-50016-00
23	Screw #10-12 X 3/4 HWH (7 req'd)	239-44113-00	239-44113-00	239-44113-00	239-44113-00
24	Pipe Plug	- - -	239-11638-00	239-11638-00	239-11638-00
25	Wire Tie	239-44328-00	239-44328-00	239-44328-00	239-44328-00
26	ASSE Approved Mixing Valve (Optional)	239-43740-01	239-43740-01	239-43740-01	239-43740-01
27	Gas Control Kit ²	239-49861-01	239-48863-01	239-48863-01	239-48863-01
	Gas Control Kit ¹	265-49000-02	239-49000-01	239-49000-01	239-49000-01
28	Kit-Inner Door Gasket	239-47062-00	239-47062-00	239-47062-00	239-47062-00
29	Pilot Orifice **	234-47098-00	234-47098-00	234-47098-00	234-47098-00
30	Kit-Heat Trap Insert	265-45420-00	265-45420-00	265-45420-00	265-45420-00
31	Intermediate Gas Valve Harness	239-47892-00	239-47892-00	239-47892-00	239-47892-00

*Applies to all warranties

**Inner door gasket kit recommended

***Ordering a complete burner assembly may increase delivery time. Please order the specific component required for the quickest delivery.

▲ Order with item 8

▲▲ Order with item 9

A420 Anode may need to be cut to length

¹ Serial Numbers on or before JH17001345.

² Serial Numbers after JH17001345.

NOTES



BRADFORD WHITE®

W A T E R H E A T E R S

Ambler, PA

For U.S. and Canada field service,
contact your professional installer or
local Bradford White sales representative.

Sales/800-523-2931
Fax/215-641-1670
Parts Fax/215-641-2180

Technical Support/800-334-3393
Fax/269-795-1089

Warranty/800-531-2111
Fax/269-795-1089

International:
Telephone/215-641-9400
Telefax/215-641-9750



BRADFORD WHITE-CANADA® INC.

Mississauga, ON

Sales/866-690-0961
905-238-0100

Fax/905-238-0105

Technical Support/800-334-3393

Email

parts@bradfordwhite.com
techserv@bradfordwhite.com

www.bradfordwhite.com