

Residential Ultra Low NOx Energy Saver Gas Water Heater



Photo is of
U1-5036FRN

Identical Dimensions
Same diameter, height
and connections
as standard units for ease
of installation.

FEATURING:



The FVIR Eco-Defender Safety System® Models Feature:

- **Bradford White ICON System™**—Intelligent gas control with proven millivolt powered technology and built-in piezo igniter. A standard, off the shelf thermopile converts heat energy from the pilot flame into electrical energy to operate the gas valve and microprocessor. No need for external electricity.
 - **Enhanced Performance**—Proprietary algorithms provide enhanced First Hour Delivery ratings and tighter temperature differentials.
 - **Advanced Temperature Control System**—Microprocessor constantly monitors and controls burner operation to maintain consistent and accurate water temperature levels.
 - **Intelligent Diagnostics**—An exclusive green LED light prompts the installer during start-up and provides ten different diagnostic codes to assist in troubleshooting.
 - **Pilot On Indication**—Flashing green LED provides positive indication that pilot is on.
 - **Separate Immersed Thermowell**—High strength advanced polymer composite thermowell provides isolation between electric temperature sensor and surrounding water. No need to drain the tank when removing gas valve.
- **Defender Combustion Chamber**—Incorporates the Advanced ScreenLok® Technology Flame Arrestor and large split-door design to prevent ignition of flammable vapors outside the water heater.
- **Ultra Low NOx Burner with Primary and Secondary Air Distribution Devices**—Ensures proper air to gas ratio for reduction of NOx generated by the combustion process.
- **Digital Thermal Sensor and Resettable Thermal Switch**—Coordinates with self diagnostic control to prevent water heater operation as needed.
- **Maintenance Free**—No regular cleaning of air inlet openings or flame arrestor is required under normal conditions.
- **Sight Window**—Offers a view into the combustion chamber to observe the operation of the pilot and burner.
- **Factory Installed Hydrojet® Total Performance System**—Cold water inlet sediment reducing device helps prevent sediment build up in tank. Increases first hour delivery of hot water while minimizing temperature build up in tank.
- **Vitraglas® Lining**—Bradford White tanks are lined with an exclusively engineered enamel formula that provides superior tank protection from the highly corrosive effects of hot water. This formula (Vitraglas®) is fused to the steel surface by firing at a temperature of over 1600°F (871°C).
- **1" Non-CFC Foam Insulation**—Covers the sides and top of tank, reducing the amount of heat loss. This results in less energy consumption, improved operation efficiencies and jacket rigidity.
- **Pedestal Base**—Rugged and durable base allows easy transport and positioning, while providing corrosion resistant contact with floor.
- **Water Connections**—3/4" NPT factory installed true dielectric fittings extend water heater life and eases installation.
- **Factory Installed Heat Traps**—Design incorporates a flexible disk that reduces heat loss in piping and eliminates the potential for noise generation.
- **Protective Magnesium Anode Rod**—Provides added protection against corrosion for long trouble-free service.
- **3x4 "Snap Lock" Draft Diverter**—Allows either 3" or 4" vent connections with inputs of 40,000 BTU/Hr. or less. Over 40,000 BTU/Hr. has the 4" "Snap Lock" Draft Diverter.
- **T&P Relief Valve**—Included.
- **Low Restriction Brass Drain Valve**—Durable tamper proof design.
- **Design Certified by CSA International (formerly AGA and CGA).**
- **Complies with the latest ultra-low NOx requirement (10 ng/J NOx limit).**

6 or 10-Year Limited Tank Warranties / 6 or 10-Year Limited Warranty on Component Parts.

For more information on warranty, please visit www.bradfordwhite.com

For products installed in USA, Canada and Puerto Rico. Some states do not allow limitations on warranties. See complete copy of the warranty included with the heater.

Residential Atmospheric Vent Gas Water Heater

Ultra Low NOx Energy Saver Models

NATURAL GAS

Meet or exceed ASHRAE 90.1b (current standard) C.E.C. Listed
Recovery efficiency ranging up to 78%

Model Number	Capacity		Nat. BTU/Hr. Input	Recovery at 90°F Rise*		A Floor to Flue Conn. in.	B Jacket Dia. in.	C Vent Size in.	D Floor to T&P Conn. in.	E Floor to Gas Conn. in.	H Floor to Water Conn. in.	K Depth in.	Approx. Shipping Weight lbs.
	U.S. Gal.	Imp. Gal.		Nat. U.S. GPH	Nat. Imp. GPH								
U1-30S6FRN	30	25	30,000	31	26	48 ³ / ₈	18	3x4	38 ³ / ₄	11 ⁵ / ₈	46 ³ / ₄	22 ¹ / ₄	110
U1-30T6FRN•	30	25	32,000	33	28	59 ¹ / ₈	16	3x4	49 ³ / ₄ / 56 ³ / ₈	11 ⁵ / ₈	57 ¹ / ₂	20 ¹ / ₄	113
U1-40S6FRN•	40	33	40,000	42	34	50	20	3x4	41 / 47 ¹ / ₄	11 ⁵ / ₈	48 ¹ / ₂	24 ¹ / ₄	137
U1-40T6FRN•	40	33	40,000	42	34	59 ³ / ₈	18	3x4	50 / 56 ⁵ / ₈	11 ⁵ / ₈	57 ³ / ₄	22 ¹ / ₄	130
U1-404T6FRN•	40	33	50,000	53	44	60 ³ / ₄	18	4	51 ¹ / ₂ / 58	11 ⁵ / ₈	58 ¹ / ₂	22 ¹ / ₄	137
U1-50S6FRN•	50	42	40,000	42	34	59 ⁵ / ₈	20	3x4	50 / 56 ⁷ / ₈	11 ⁵ / ₈	58	24 ¹ / ₄	154
U1-50L6FRN	48	40	40,000	42	34	49 ³ / ₄	22	3x4	40 ¹ / ₂	11 ⁵ / ₈	48 ¹ / ₄	26 ¹ / ₄	163
U1-504S6FRN•	50	42	50,000	53	44	58 ¹ / ₂	20	4	50 / 55 ³ / ₄	11 ⁵ / ₈	57	24 ¹ / ₄	160
U1-60T6FRN	60	50	40,000	42	34	60 ³ / ₄	22	3x4	50 ¹ / ₂	13	58 ¹ / ₄	26 ¹ / ₂	166

Model Number	Capacity		Nat. kW Input	Recovery at 50°C Rise*	A Floor to Flue Conn. mm.	B Jacket Dia. mm.	C Vent Size mm.	D Floor to T&P Conn. mm.	E Floor to Gas Conn. mm.	H Floor to Water Conn. mm.	K Depth mm.	Approx. Shipping Weight kg.
	Liters											
U1-30S6FRN	114		8.8	117	1229	457	76x102	984	295	1187	565	50
U1-30T6FRN•	114		9.4	125	1502	406	76x102	1264 / 1432	295	1461	514	51
U1-40S6FRN•	151		11.7	155	1207	508	76x102	1041 / 1200	295	1232	615	62
U1-40T6FRN•	151		11.7	155	1508	457	76x102	1270 / 1438	295	1467	565	59
U1-404T6FRN•	151		14.7	201	1543	457	102	1308 / 1473	295	1486	565	62
U1-50S6FRN•	189		11.7	155	1514	508	76x102	1270 / 1453	295	1473	615	70
U1-50L6FRN	182		11.7	155	1264	559	76x102	1029	295	1226	666	74
U1-504S6FRN•	189		14.7	201	1486	508	102	1270 / 1416	295	1448	615	73
U1-60T6FRN	227		11.7	163	1543	609	76x102	1282	330	1480	666	75

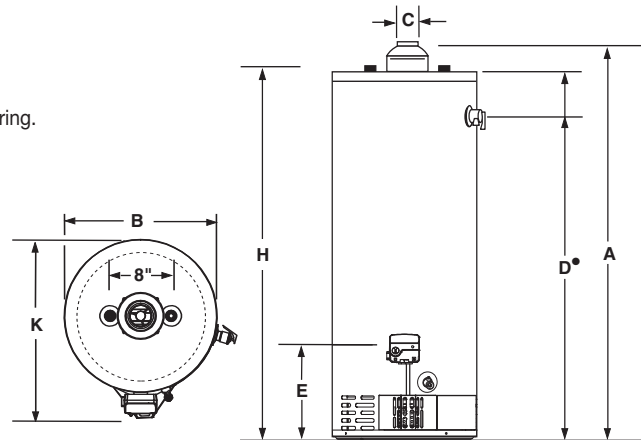
Available in Natural Gas only.

For 10 year models, change suffix from "6" to "10".

*Based on manufacturers rated recovery efficiency.

Note: U1-30S, U1-50L and U1-60T do not have top T&P option.

•Models feature optional top T&P location and must be specified when ordering.



• Optional T&P Location Dimension
"D" dimension listed as side/top.

All models comply with the latest ultra-low NOx requirements of 10 ng/J or less

Meets NAECA Requirements

General

All gas water heaters are certified at 300 PSI test pressure (2068 kPa) and 150 PSI working pressure (1034 kPa). All water connections are 3/4" NPT (19mm) on 8" (203mm) centers. All Gas Connections are 1/2" (13mm).

All models design certified by CSA International (formerly AGA/CGA), to meet ANSI standard Z-21.10.1 and peak performance rated.

Dimensions and specifications subject to change without notice in accordance with our policy of continuous product improvement.

Suitable for Water (Potable) Heating and Space Heating.

Toxic chemicals, such as those used for boiler treatment, shall NEVER be introduced into this system. This unit may NEVER be connected to any existing heating system or component(s) previously used with a non-potable water heating appliance.



For U.S. and Canada field service, contact your professional installer or local Bradford White sales representative.

Sales 800-523-2931 • Fax 215-641-1670 / Technical Support 800-334-3393 • Fax 269-795-1089 • Warranty 800-531-2111 • Fax 269-795-1089

International: Telephone 215-641-9400 • Telefax 215-641-9750 / www.bradfordwhite.com

BRADFORD WHITE-CANADA INC. Sales / Technical Support 866-690-0961 / 905-238-0100 • Fax 905-238-0105 / www.bradfordwhite.com

Built to be the Best™

©2013, Bradford White Corporation. All rights reserved.