

TTW1

Residential Through-The-Wall Energy Saver Gas Water Heater



M-1-TW-40S6BN

The TTW1 Models Feature:

- **Power Vented Heater**—Designed for installations where atmospheric units cannot be used. Exhaust gases are vented under positive pressure directly out of the building through the roof or the wall.
- **Powerful Blower Motor**—Our design has higher torque for greater resistance to outside winds and the power to eliminate problems with difficult venting situations. This significantly quieter motor runs cooler for a considerably longer operational life.
- **Spark-to-Pilot Ignition System**—Eliminates the constant burning pilot used on other water heaters. This device results in savings of pilot gas during standby periods (110 VAC required to heater).
- **PVC, ABS or CPVC Venting**—Horizontal and vertical venting up to 50 equivalent feet for 2" pipe, and up to 120 equivalent feet for 3" pipe. See reverse side for specifics.
- **Vitraglas® Lining**—Bradford White water heater tanks are protected from the corrosive effects of hot water by a ceramic porcelain-like coating. The exclusive high silica ceramic lining provides a tough interior surface for our water heater tank.
- **Steel Tank**—Heavy gauge steel automatically formed, rolled and welded to assure a continuous seam for glass lining.
- **Protective Magnesium Rod**—Provides added protection against corrosion for long trouble-free service.
- **Factory installed Hydrojet® Total Performance System**—Cold inlet sediment reducing device. Helps prevent sediment build up in tank. Increases first hour delivery of hot water while minimizing temperature build up at top of tank.
- **Factory installed Heat Traps**—Design incorporates a flexible disk that reduces heat loss in piping and eliminates the potential for noise generation.
- **Water Connections**—3/4"NPT factory installed true dielectric fittings. Extends water heater life and eases installation.
- **1" Non-CFC Foam Insulation**—Covers the sides and top of tank to save energy by retarding loss of heat. Also increases jacket rigidity.
- **Electronic Gas Control Valve**—The integrated, immersion gas control valve offers more precise temperature control for higher first hour delivery and also allows water temperature adjustment without removing the cover. The control is equipped with an LED display to aid in start-up and diagnostics.
- **Brass Drain Valve.**
- **T&P Relief Valve Included.**
- **Stainless Steel Flue Baffle**—Designed to maximize the amount of heat absorbed in the lower portion of tank. Reduces air movement in the water heater during standby periods to retard heat loss up the flue.
- **Design Certified by CSA International (formerly AGA and CGA).**



6-Year Limited Warranty on Component Parts / 6 or 10-Year Limited Tank Warranties.

For more information on warranty, please visit www.bradfordwhite.com

For products installed in USA, Canada and Puerto Rico. Some states do not allow limitations on warranties. See complete copy of the warranty included with the heater.

TTW® 1 Through-The-Wall Gas Water Heater

Energy Saver Models

NATURAL GAS AND LIQUID PROPANE GAS

Meet or exceed ASHRAE 90.1b (current standard) C.E.C. Listed
80% Recovery Efficiency

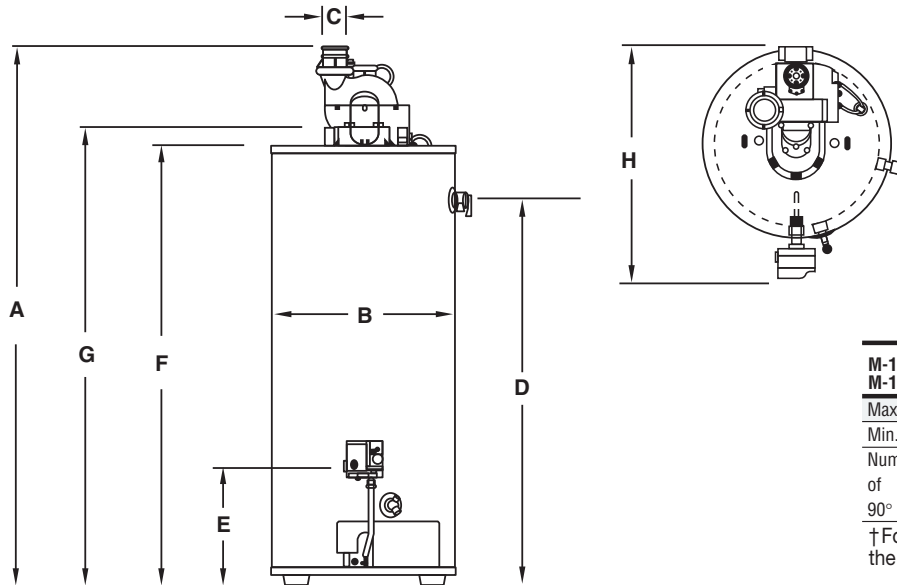
Model Number	Capacity		Nat. BTU Input	LP BTU Input	Recovery 90°F Rise*				A Floor to Vent Conn. in.	B Jacket Dia. in.	C Vent Size in.	D Floor to T&P Conn. in.	E Floor to Gas Conn. in.	F Floor to Top of Heater in.	G Floor to Water Conn. in.	H Depth in.	Approx. Shipping Weight lbs.
	U.S. Gal.	Imp. Gal.			Nat. U.S. GPH	Imp. GPH	LP U.S. GPH	Imp. GPH									
M-1-TW-40S6BN	40	33	40,000	37,500	43	36	40	33	57½	20	2	41	12½	47	49	25¼	140
M-1-TW-50S6BN	50	42	40,000	37,500	43	36	40	33	58½	22	2	41¼	12½	48¼	49¼	27¼	166

Model Number	Capacity		Nat. kW Input	LP kW Input	Recovery 50°C Rise*		A Floor to Vent Conn. mm.	B Jacket Dia. mm.	C Vent Size mm.	D Floor to T&P Conn. mm.	E Floor to Gas Conn. mm.	F Floor to Top of Heater mm.	G Floor to Water Conn. mm.	H Depth mm.	Approx. Shipping Weight kg.
	Liters				Nat. Liters/Hour	LP Liters/Hour									
M-1-TW-40S6BN	151		11.7	11.0	163	151	1461	510	51	1040	320	1195	1245	640	64
M-1-TW-50S6BN	189		11.7	11.0	163	151	1483	560	51	1060	320	1225	1257	690	76

All propane heaters are equipped with a cast iron burner. To order a propane heater change suffix "BN" to "CX".
For 10 year models, change suffix from "6" to "10".

*Based on manufacturers rated recovery efficiency.

110 V.A.C. Required for Power Venting / 110 V.A.C., 60HZ, 3.1 Amperes



M-1-TW40 M-1-TW50	2" Vent Pipe	3" Vent Pipe
Max. Equivalent Length	†50 ft.	†120 ft.
Min. Equivalent Length	7 ft.	15 ft.
Number of 90° Elbows	1 45 ft. 2 40 ft. 3 35 ft.	115 ft. 110 ft. 105 ft.

† For high altitude installations, consult the installation instructions.

All natural gas models meet SCAQMD Requirements. Meets NAECA Requirements.

General

All gas water heaters are certified at 300 PSI (2068 kPa) test pressure and 150 PSI (1034 kPa) working pressure.

All water connections are 3/4" NPT (19mm) on 8" (203mm) centers, all gas connections are 1/2" (13mm).

All models design certified by CSA International (formerly AGA/CGA), ANSI Z-21.10.1 and peak performance rated.

Dimensions and specifications subject to change without notice in accordance with our policy of continuous product improvement.

Suitable for Water (Potable) Heating and Space Heating

Toxic chemicals, such as those used for boiler treatment, shall NEVER be introduced into this system. This unit may NEVER be connected to any existing heating system or component(s) previously used with a non-potable water heating appliance.



Ambler, PA

For U.S. and Canada field service, contact your professional installer or local Bradford White sales representative.

Sales 800-523-2931 • Fax 215-641-1670 / Technical Support 800-334-3393 • Fax 269-795-1089 • Warranty 800-531-2111 • Fax 269-795-1089

International: Telephone 215-641-9400 • Telefax 215-641-9750 / Fax on Demand 888-538-7833 / www.bradfordwhite.com



BRADFORD WHITE-CANADA INC. Sales / Technical Support 866-690-0961 / 905-238-0100 • Fax 905-238-0105 / www.bradfordwhitecanada.com

Count On Bradford White

For *Everything* Hot Water™

©2006, Bradford White Corporation. All rights reserved.