

Residential PDX4 Power Direct Vent High EF Energy Saver Gas Water Heater



Photo is of
PDX4-40S6FBN

FEATURING:



**AUDI
AIR**



6 or 10-Year Limited Tank Warranties / 6 or 10-Year Limited Warranty on Component Parts.

For more information on warranty, please visit www.bradfordwhite.com

For products installed in USA, Canada and Puerto Rico. Some states do not allow limitations on warranties. See complete copy of the warranty included with the heater.

The PDX4 FVIR Defender Safety System® Models Feature:

- **ENERGY STAR® Qualified**—These models qualify for the September 1st, 2010 minimum ENERGY STAR® EF requirement, as well as most utility rebate programs.
- **Bradford White ICON System™**—Intelligent gas control with spark to pilot ignition system eliminates the constant burning pilot. This results in savings of pilot gas during stand by periods (120 V.A.C.).
 - **Enhanced Performance**—Proprietary algorithms provide enhanced First Hour Delivery ratings and tighter temperature differentials.
 - **Advanced Temperature Control System**—Microprocessor constantly monitors and controls burner operation to maintain consistent and accurate water temperature levels.
 - **Intelligent Diagnostics**—An exclusive green LED light prompts the installer during start-up and provides ten different diagnostic codes to assist in troubleshooting.
 - **Separate Immersed Thermowell**—High strength advanced polymer composite thermowell provides isolation between electric temperature sensor and surrounding water. No need to drain the tank when removing gas valve.
- **Compatible With Optional Accessory Packages**—Performance Package, Protection Package and Inlet Shut-Off Valve.
- **Closed Combustion Venting System**—Power Direct Vent models are ideal for installations which lack sufficient air for combustion, such as new construction homes or additions which are tightly insulated. These models use a twin pipe system where combustion air is drawn from outside the building in one pipe, and combustion products are expelled to the outside in another pipe.
- **Cast Aluminum Air Intake Boot**—A cast molded air intake boot design provides exceptional durability during installation and operation.
- **Horizontal and Vertical Venting**—With 2" or 3" PVC, ABS, or CPVC. The equivalent feet of intake venting cannot be greater than the equivalent feet of exhaust venting.
- **Optional Concentric Vent Kit Termination**—2" termination fitting provides for only one exit opening through a wall or roof. (Subtract 10ft. for intake pipe and 10ft. for exhaust pipe when calculating total vent length.)
- **Flammable Vapor Sensor**—Electronic sensor prevents burner operation if flammable vapors are detected. The sensor will also prevent burner operation if there is an ongoing flammable vapor burn inside the combustion chamber.
- **Factory Installed Hydrojet® Total Performance System**—Cold water inlet sediment reducing device helps prevent sediment build up in tank. Increases first hour delivery of hot water while minimizing temperature build up in tank.
- **Vitraglas® Lining**—Bradford White tanks are lined with an exclusively engineered enamel formula that provides superior tank protection from the highly corrosive effects of hot water. This formula (Vitraglas®) is fused to the steel surface by firing at a temperature of over 1600°F (871°C).
- **2" Non-CFC Foam Insulation**—Surrounds the tank surface, saving energy by retarding loss of heat.
- **Water Connections**—3/4" NPT factory installed true dielectric fittings extend water heater life and makes installation easier.
- **Factory Installed Heat Traps**—Design incorporates a flexible disk that reduces heat loss in piping and eliminates the potential for noise generation.
- **Protective Magnesium Anode Rod**—Provides added protection against corrosion for long trouble-free service.
- **T&P Relief Valve**—Included.
- **Low Restriction Brass Drain Valve**—Durable tamper proof design.

Power Direct Vent Gas Water Heater

PDX4 Energy Saver Models

NATURAL GAS AND LIQUID PROPANE GAS

Meet or exceed ASHRAE 90.1b (current standard) C.E.C. Listed
78% Recovery Efficiency

Model Number	Capacity		Recovery at 90°F Rise*				A Floor to Exhaust Outlet in.	B Jacket Dia. in.	C Vent Size in.	D Floor to T&P Conn. in.	E Floor to Gas Conn. in.	F Floor to Top of Heater in.	H Floor to Air Intake in.	J Floor to Water Conn. in.	K Depth in.	Approx. Shipping Weight lbs.		
	U.S. Imp. Gal.	Imp. Gal.	Nat. BTU/Hr. Input	LP BTU/Hr. Input	Nat. U.S. GPH	Nat. Imp. GPH											LP U.S. GPH	LP Imp. GPH
PDX4-40S6FBN	40	33	40,000	38,000	43	36	41	34	59	22	2	42 ¹ / ₂	14	49	55 ⁷ / ₈	50 ³ / ₈	31 ¹ / ₂	154
PDX4-50S6FBN	50	42	40,000	38,000	43	36	41	34	60	24	2	42 ⁷ / ₈	14	50	56 ³ / ₄	51	33 ³ / ₈	185

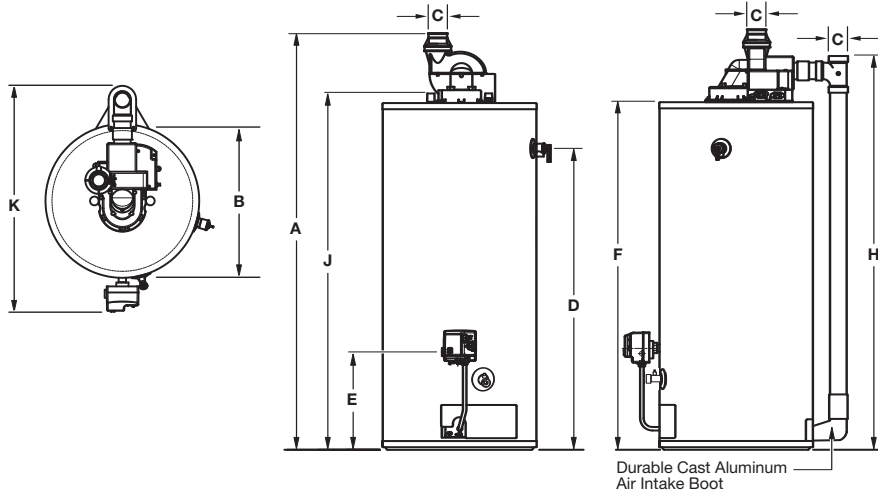
Model Number	Capacity		Recovery at 50°C Rise*				A Floor to Exhaust Outlet mm.	B Jacket Dia. mm.	C Vent Size mm.	D Floor to T&P Conn. mm.	E Floor to Gas Conn. mm.	F Floor to Top of Heater mm.	H Floor to Air Intake mm.	J Floor to Water Conn. mm.	K Depth mm.	Approx. Shipping Weight kg.
	U.S. Imp. Gal.	Imp. Gal.	Nat. kW Input	LP kW Input	Nat. Liters/ Hour	Nat. Imp. Liters/ Hour										
PDX4-40S6FBN	151	11.7	11.0	163	155	1499	559	50	1080	346	1245	1419	1280	800	70	
PDX4-50S6FBN	190	11.7	11.0	163	155	1524	610	50	1089	346	1270	1441	1295	848	84	

Propane models feature a Titanium Stabilized Stainless Steel propane burner. For Propane (LP) models change suffix "BN" to "SX".

For 10 year model, change suffix "6" to "10".

*Based on manufacturers rated recovery efficiency.

110 V.A.C Required for Power Venting / 110 V.A.C., 60HZ, 3.1 Amperes.

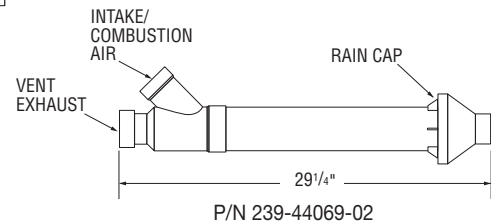


2" Vent Pipe	PDX4-40S PDX4 50S
Max. Intake Length	35 ft.
Max. Exhaust Length	35 ft.
Min. Vent Length	7 ft.
Number of 90° Elbows	1 30 ft. 2 25 ft. 3 20 ft.

3" Vent Pipe	PDX4-40S PDX4 50S
Max. Intake Length	85 ft.
Max. Exhaust Length	85 ft.
Min. Vent Length	7 ft.
Number of 90° Elbows	1 80 ft. 2 75 ft. 3 70 ft.

Subtract 5ft. for each additional 90° elbow.

2" Concentric Vent Kit Termination



Meets NAECA Requirements

General

All gas water heaters are certified at 300 PSI test pressure (2068 kPa) and 150 PSI working pressure (1034 kPa). All water connections are 3/4" NPT (19mm) on 8" (203mm) centers. All gas connections are 1/2" (13mm).

All models design certified by CSA International (formerly AGA/CGA), to meet ANSI standard Z-21.10.1 and peak performance rated.

Dimensions and specifications subject to change without notice in accordance with our policy of continuous product improvement.

Suitable for Water (Potable) Heating and Space Heating.

Toxic chemicals, such as those used for boiler treatment, shall NEVER be introduced into this system. This unit may NEVER be connected to any existing heating system or component(s) previously used with a non-potable water heating appliance.



For U.S. and Canada field service, contact your professional installer or local Bradford White sales representative.

Sales 800-523-2931 • Fax 215-641-1670 / Technical Support 800-334-3393 • Fax 269-795-1089 • Warranty 800-531-2111 • Fax 269-795-1089

International: Telephone 215-641-9400 • Telefax 215-641-9750 / www.bradfordwhite.com

BRADFORD WHITE-CANADA INC. Sales / Technical Support 866-690-0961 / 905-238-0100 • Fax 905-238-0105 / www.bradfordwhite.com

Built to be the Best™

©2014, Bradford White Corporation. All rights reserved.