

ROOF JACK INSTALLATION INSTRUCTIONS

(FOR MANUFACTURED HOME FLAMMABLE VAPORS IGNITION RESISTANT WATER HEATERS)

Step 1. Determine final installation location of the water heater. Refer to the installation and operation instructions provided with the water heater to allow for appropriate clearances to combustible materials.

Step 2. Cut a 5 1/2" - 7 1/4" diameter hole in the ceiling and roof directly above the flue outlet (water heater centerline).

Step 3. Align the water heater flue with the opening in the ceiling and roof.

Step 4. Apply a non-hardening mastic on the roof around the opening to form a weather seal with the roof jack flashing.

NOTICE

An intake pipe is required for water heaters that are NOT flammable Vapor Ignition Resistant. Refer to Manufacturer of the water heater for Roof Jack Kit with air intake if required.

Step 5. Insert the roof jack into the opening in the roof and ceiling and fasten the flashing of the roof jack to the roof with the sheet metal screws provided. Apply additional mastic to complete the weather seal (see Figure 2).

Step 6. If optional ceiling plate is used, place over outer pipe against ceiling and secure with (4) screws (see Figure 2).

Step 7. Slip the ø3" vent connector extension (shipped telescoped in the roof jack) down over the draft diverter which attaches to the water heater (see Figure 3).

Step 8. The vent joints must be sealed after the vent kit is installed. This kit will include silicone band(s) to be used for sealing the vent joints.

Step 9. Clamp the vent connector extension to the water heater draft diverter using (2) sheet metal screws provided (see Figure 3).

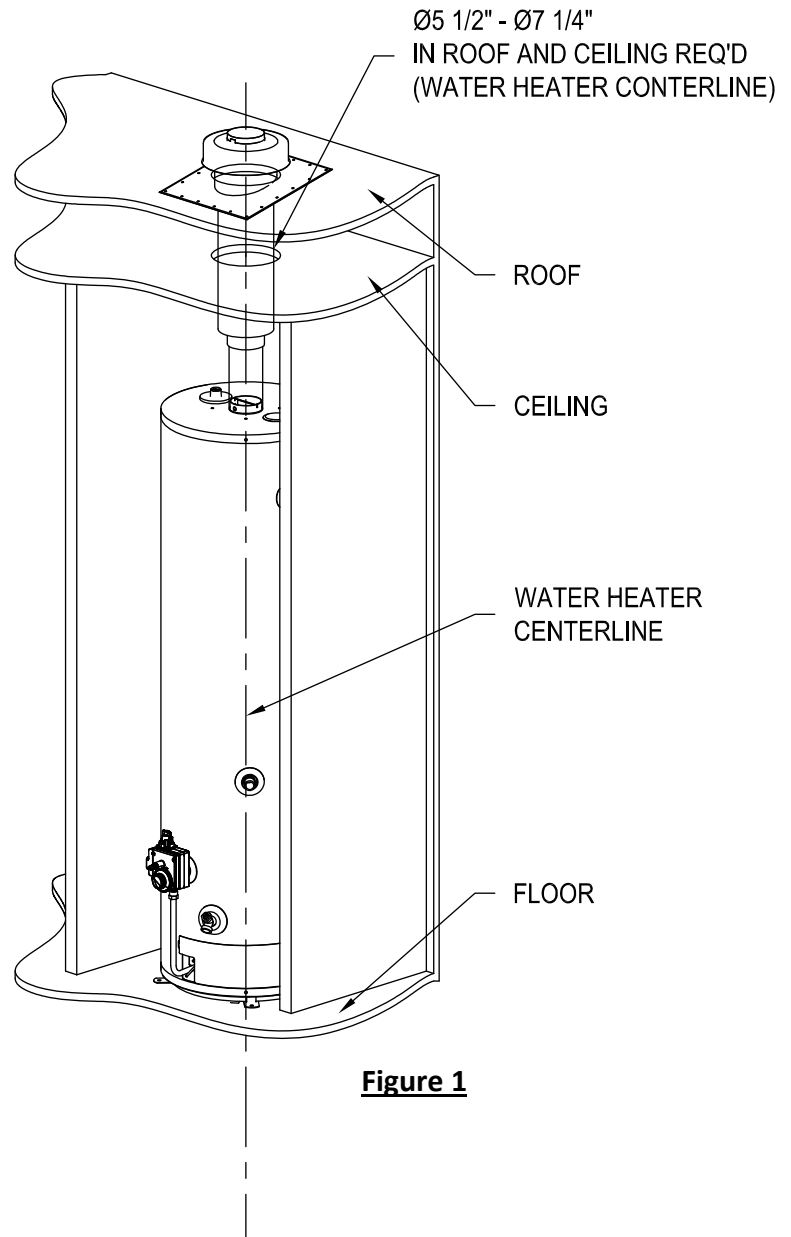


Figure 1

ROOF JACK INSTALLATION INSTRUCTIONS

(FOR MANUFACTURED HOME FLAMMABLE VAPORS IGNITION RESISTANT WATER HEATERS)

NOTICE

The outer pipe Must extend below the ceiling as noted on the outer pipe of the roof jack (see Figure 3).

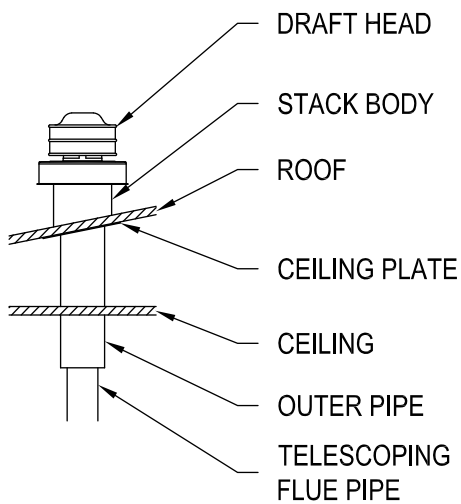


Figure 2

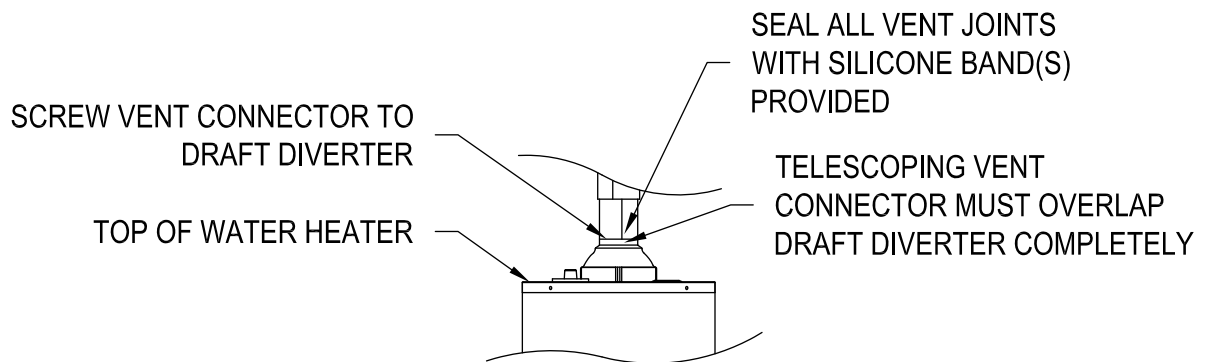


Figure 3