



RESIDENTIAL GAS REPLACEMENT PARTS LIST Direct Vent Energy Saver (DS) Models



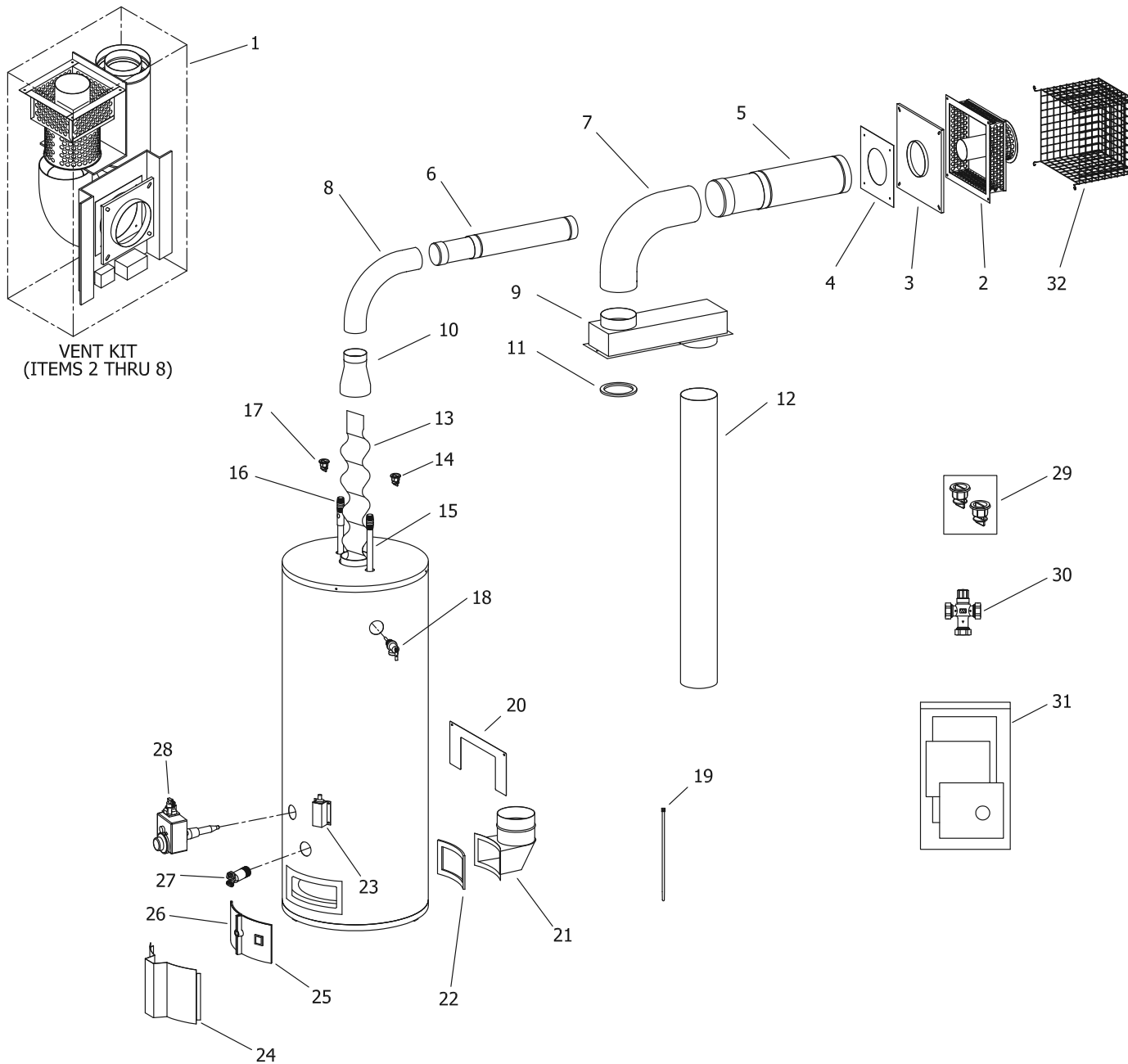
DEFENDER
SAFETY SYSTEM[®]

Includes Hydrojet[®]
Total Performance System

Effective: March, 2012
ECO 7496

NOTE: BOTH MODEL AND SERIAL
NUMBERS ARE REQUIRED FOR
ORDERING REPLACEMENT PARTS

Dimensions and specifications
subject to change without notice.



LP GAS (SX) BURNER ASSEMBLY TO REPLACE LP GAS (CX) BURNER ASSEMBLY
ON ALL MODELS EXCEPT 75 & 100 GAL. MODELS

Item	Description	Model	Model
		DS140S*(BN,EN,CX)	DS150S*(BN,EN,CX)
1	Standard Brown Vent Package (Includes Items 2 Thru 8)	239-41097-00	239-41097-00
	White Vent Package (Includes Items 2 Thru 8)	239-45481-00	239-45481-00
2	Direct Vent-Air Intake Terminal (Standard Brown)	239-41425-00	239-41425-00
	Direct Vent-Air Intake Terminal (White)	239-45482-00	239-45482-00
3	Outer Wall Mounting Plate (Standard Brown)	239-41431-00	239-41431-00
	Outer Wall Mounting Plate (White)	239-45483-00	239-45483-00
4	Backing Plate	239-41433-00	239-41433-00
5	Outer Telescopic Tube	239-41006-00	239-41006-00
6	Inner Telescopic Tube	239-41005-00	239-41005-00
7	Outer Elbow	239-41007-00	239-41007-00
8	Inner Elbow	239-41008-00	239-41008-00
9	Plenum	239-41010-00	239-41010-00
10	Flue Reducer	239-41009-00	239-41009-00
11	Plenum Gasket	239-41070-01	239-41070-01
12	Air Intake Tube	239-41012-01	239-41012-02
13	Flue Baffle	243-44648-00	243-44648-00
14	Heat Trap Insert (Inlet)	239-45073-00	239-45073-00
15	Cold Water Inlet Dip Tube Polysulfone ▲▲	229-39628-04	229-39628-06
16	Hot Water Outlet Anode Magnesium ▲	224-32731-81	224-32731-82
	Hot Water Outlet Anode Aluminum ▲	224-32999-31	224-32999-06
	Hot Water Outlet Anode A420 Aluminum ▲#	224-49560-08	224-49560-08
17	Heat Trap Insert (Outlet)	239-45167-00	239-45167-00
18	T&P Relief Valve	230-32920-01	230-32920-01
19	Wire Tie	239-44328-00	239-44328-00
20	Air Intake Boot Escutcheon	243-46922-00	243-46922-00
21	Air Intake Boot	239-46755-01	239-46755-01
22	Air Intake Boot Gasket	223-41067-00	223-41067-00
23	Piezo Igniter	239-43448-00	239-43448-00
24	Outer Door	243-43962-00	243-43962-00
25	Right Side Inner Door (Sight Glass)	239-45415-00	239-45415-00
26	Left Side Inner Door	239-45416-00	239-45416-00
27	Brass Drain Valve	265-42351-02	265-42351-02
28	Gas Valve Natural Gas	265-46181-01	265-46181-01
	Gas Valve LP Gas	265-46182-01	265-46182-01
29	Heat Trap Insert Kit	265-45420-00	265-45420-00
30	ASSE Approved Mixing Valve (Optional)	239-43740-01	239-43740-01
31	Inner Door Gasket Kit	239-45909-00	239-45909-00
32	Direct Vent-Air Intake Terminal Guard (Optional)	239-41453-00	239-41453-00

*Applies to all warranties

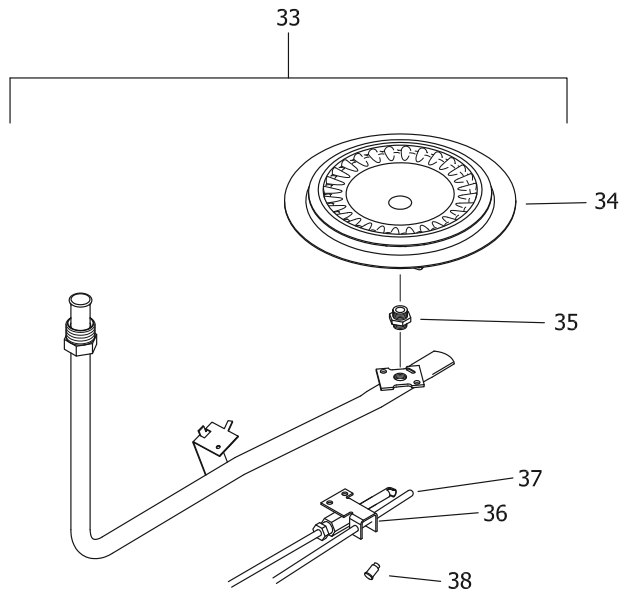
**Inner door gasket kit recommended

***Ordering a complete burner assembly may increase delivery time. Please order the specific component required for the quickest delivery.

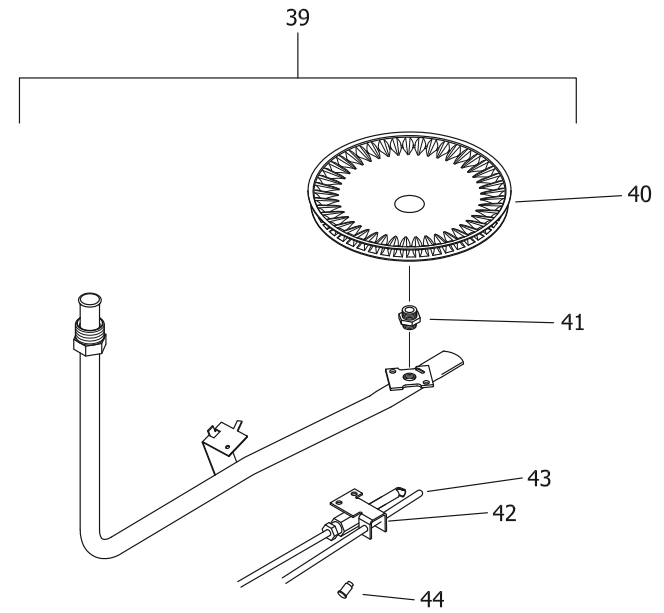
▲ Order with item 17

▲▲ Order with item 14

#A420 Anode may need to be cut to length



NATURAL GAS (BN) BURNER ASSEMBLY



LP GAS (SX) BURNER ASSEMBLY

LP GAS (SX) BURNER ASSEMBLY TO REPLACE LP GAS (CX) BURNER ASSEMBLY
ON ALL MODELS EXCEPT 75 & 100 GAL. MODELS

Item	Description	Model	Model
		DS140S*(BN,EN,CX)	DS150S*(BN,EN,CX)
Natural Gas (BN) Burner Assembly		(Replacement for Natural Gas (EN) Burner)	
33	Nat. Gas (BN) Burner Assembly Complete***	265-47439-11-33	265-47439-11-32
34	Nat. Gas (BN) Burner**	228-42506-00	228-42506-00
35	Nat. Gas (BN) Main Burner Orifice**	234-41034-33	234-41034-32
	Nat. Gas (BN) High Altitude 2001 Ft. to 5000 Ft.**	234-41034-36	234-41034-36
	Nat. Gas (BN) High Altitude 5001 Ft. to 8000 Ft.**	234-41034-36	234-41034-38
	Nat. Gas (BN) High Altitude Over 8000 Ft.**	234-41034-40	234-41034-38
36	Nat. Gas Pilot Assembly**	233-46277-04	233-46277-04
37	Thermocouple**	233-46501-24	233-46501-24
38	Nat. Gas Pilot Orifice**	234-46502-05	234-46502-05
LP Gas (SX) Titanium Stainless Steel Burner Assembly		(Replacement for LP Gas (CX) Cast Iron Burner)	
39	LP Gas (SX) Burner Assembly Complete***	265-47440-20-50	265-47440-20-49
40	LP Gas (SX) Burner**	228-46964-00	228-46964-00
41	LP Gas (SX) Main Burner Orifice**	234-47604-50	234-47604-49
	LP Gas (SX) High Altitude 2001 Ft. to 5000 Ft.**	234-47604-51	234-47064-51
	LP Gas (SX) High Altitude 5001 Ft. to 8000 Ft.**	234-47604-52	234-47064-52
	LP Gas (SX) High Altitude Over 8000 Ft.**	234-47064-53	234-47064-52
42	LP Gas Pilot Assembly**	233-46278-03	233-46278-03
43	Thermocouple**	233-46501-24	233-46501-24
44	LP Gas Pilot Orifice**	234-46502-02	234-46502-02
-	LP to Natural Gas Conversion Kit (Norm Alt.)	265-45912-01	265-45912-02
-	LP to Natural Gas Conversion Kit (High Alt.)	265-45912-06	265-45912-07

*Applies to all warranties

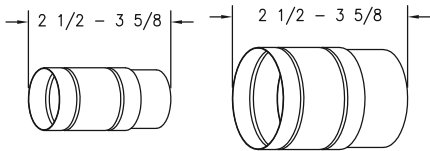
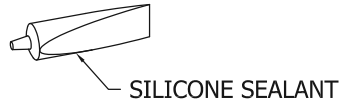
**Inner door gasket kit recommended

***Ordering a complete burner assembly may increase delivery time. Please order the specific component required for the quickest delivery.

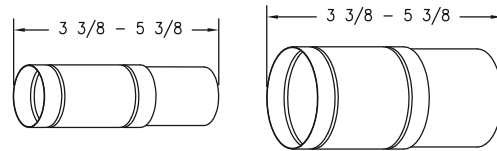
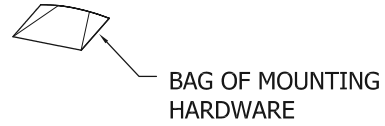
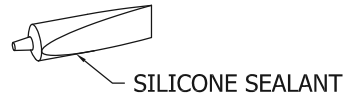
▲ Order with item 17

▲▲ Order with item 14

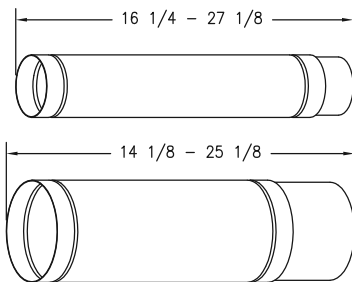
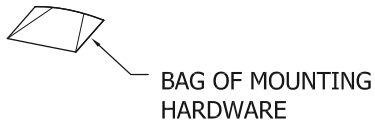
#A420 Anode may need to be cut to length



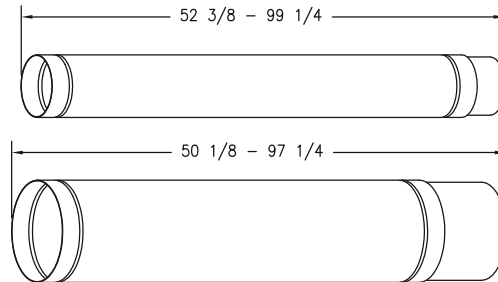
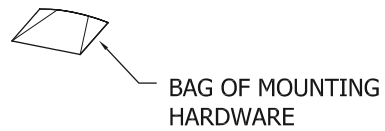
DIRECT VENT-AIR INTAKE KIT A
PART NO. 239-41260-00 (OPTIONAL)



DIRECT VENT-AIR INTAKE KIT B
PART NO. 239-41331-00 (OPTIONAL)



DIRECT VENT-AIR INTAKE KIT C
PART NO. 239-41029-00 (OPTIONAL)
ABOVE TUBE LENGTHS SUPPLIED WITH HEATER



DIRECT VENT-AIR INTAKE KIT D
PART NO. 239-41424-00 (OPTIONAL)

VENT KITS

		Horizontal "X"				
		13 1/4 14 3/16	15 17 11/16	22 1/4 32 3/16	36 55 7/8	58 5/16 104 5/16
Vertical "Y"	10	order kit A 239-41260-00	order kit B 239-41331-00	no add'l kit req'd	order kit C 239-41029-00	order kit D 239-41424-00
	14 3/4 15 11/16	order kit A *(2) 239-41260-00	order kit A & B 239-41260-00 239-41331-00	order kit A 239-41260-00	order kit A & C 239-41260-00 239-41029-00	order kit A & D 239-41260-00 239-41424-00
	16 1/2 19 3/16	order kit A & B 239-41260-00 239-41331-00	order kit B *(2) 239-41331-00	order kit B 239-41331-00	order kit B & C 239-41331-00 239-41029-00	order kit B & D 239-41331-00 239-41424-00
	23 3/4 33 11/16	order kit A 239-41260-00	order kit B 239-41331-00	order kit C 239-41029-00	order kit C *(2) 239-41029-00	order kit D 239-41424-00
	37 1/2 57 3/8	order kit A & C 239-41260-00 239-41029-00	order kit B & C 239-41331-00 239-41029-00	order kit C *(2) 239-41029-00	order kit C *(3) 239-41029-00	order kit C & D 239-41029-00 239-41424-00
	59 13/16 105 13/16	order kit A & D 239-41260-00 239-41424-00	order kit B & D 239-41331-00 239-41424-00	order kit D 239-41424-00	order kit C & D 239-41029-00 239-41424-00	order kit D *(2) 239-41424-00

*(2) = Order two kits

*(3) = Order three kits



BRADFORD WHITE®

W A T E R H E A T E R S

Ambler, PA

For U.S. and Canada field service,
contact your professional installer or
local Bradford White sales representative.

Sales/800-523-2931
Fax/215-641-1670
Parts Fax/215-641-2180

Technical Support/800-334-3393
Fax/269-795-1089

Warranty/800-531-2111
Fax/269-795-1089

International:
Telephone/215-641-9400
Telefax/215-641-9750



BRADFORD WHITE-CANADA® INC.

Mississauga, ON

Sales/866-690-0961
905-238-0100

Fax/905-238-0105

Technical Support/800-334-3393

Email

parts@bradfordwhite.com
techserv@bradfordwhite.com

www.bradfordwhite.com