

## Residential Atmospheric Vent Extra Recovery Energy Saver Gas Water Heater



Photo is of  
M-2-XR75S6BN

### The Atmospheric Vent Models Feature:

- **Bradford White ICON System™**—Intelligent gas control with proven millivolt powered technology and built-in piezo igniter. A standard, off the shelf thermopile converts heat energy from the pilot flame into electrical energy to operate the gas valve and microprocessor. No need for external electricity.
  - **Enhanced Performance**—Proprietary algorithms provide enhanced First Hour Delivery ratings and tighter temperature differentials.
  - **Advanced Temperature Control System**—Microprocessor constantly monitors and controls burner operation to maintain consistent and accurate water temperature levels.
  - **Intelligent Diagnostics**—An exclusive green LED light prompts the installer during start-up and provides ten different diagnostic codes to assist in troubleshooting.
  - **Pilot On Indication**—Flashing green LED provides positive indication that pilot is on.
  - **Separate Immersed Thermowell**—High strength advanced polymer composite thermowell provides isolation between electric temperature sensor and surrounding water. No need to drain the tank when removing gas valve.
- **Factory Installed Hydrojet 2™ Total Performance System**—Cold water inlet sediment reducing device helps prevent sediment build up in tank and increases first hour delivery of hot water.
- **Vitraglas® Lining**—Bradford White tanks are lined with an exclusively engineered enamel formula that provides superior tank protection from the highly corrosive effects of hot water. This formula (Vitraglas®) is fused to the steel surface by firing at a temperature of over 1600°F (871°C).
- **Side Connections**—3/4" (19mm) NPT tappings that allow easy connections for space heating applications (potable water only).
- **2" (51mm) Non-CFC Foam Insulation**—Covers the sides and top of tank, reducing the amount of heat loss. This results in less energy consumption, improved operation efficiencies and jacket rigidity.
- **Pedestal Base.**
- **Water Connections**—1" (25mm) NPT factory installed true dielectric fittings.
- **Protective Magnesium Anode Rod.**
- **4" (107mm) "Snap Lock" Draft Diverter.**
- **T&P Relief Valve**—Included.
- **Low Restriction Brass Drain Valve**—Durable tamper proof design.

### FEATURING:



### 6 or 10-Year Limited Tank Warranties / 6 or 10-Year Limited Warranty on Component Parts.

For more information on warranty, please visit [www.bradfordwhite.com](http://www.bradfordwhite.com)

For products installed in USA, Canada and Puerto Rico. Some states do not allow limitations on warranties. See complete copy of the warranty included with the heater.

# Residential Atmospheric Vent Gas Water Heater

## Extra Recovery Energy Saver Models

NATURAL GAS AND LIQUID PROPANE GAS

Meet or exceed ASHRAE 90.1b (current standard) C.E.C. Listed  
80% Thermal Efficiency

Model Number	Capacity		Recovery 90°F Rise*				A	B	C	D	E	F	G	H	K	Approx. Shipping Weight		
	U.S. Gal.	Imp. Gal.	Nat. BTU/Hr. Input	LP BTU/Hr. Input	Nat. U.S. GPH	Nat. Imp. U.S. GPH	in.	in.	in.	in.	in.	in.	in.	in.	in.	lbs.		
M-2-XR75S6BN	75	63	76,000	76,000	82	69	82	69	62%	26	4	51%	13%	16%	51%	59	30%	247

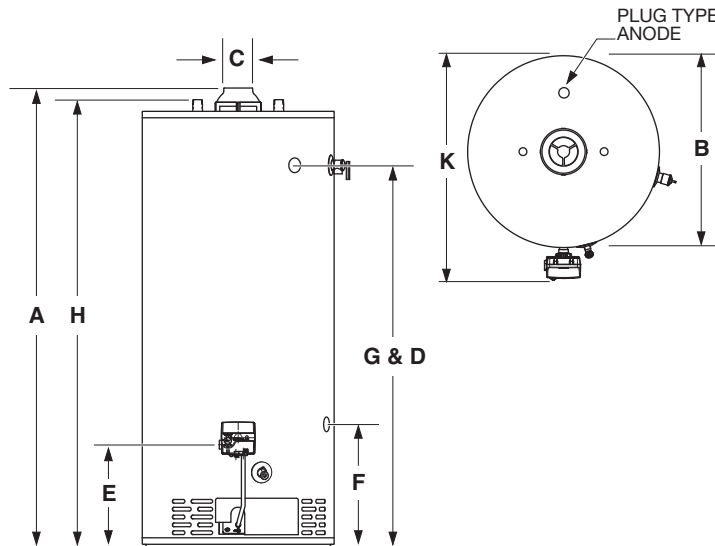
  

Model Number	Capacity		Recovery 50°C Rise*				A	B	C	D	E	F	G	H	K	Approx. Shipping Weight
	Liters		Nat. kW Input	LP kW Input	Nat. Liters/Hour	LP Liters/Hour	mm.	mm.	mm.	mm.	mm.	mm.	mm.	mm.	mm.	kg.
M-2-XR75S6BN	284		22.3	22.3	310	310	1575	660	102	1321	381	432	1321	1549	765	112

Propane model features a Titanium Stainless Steel propane burner. For Propane (LP) models change suffix "BN" to "SX".

For 10 year models, change suffix from "6" to "10".

\*Based on manufacturers rated recovery efficiency.



### Meets NAECA Requirements

#### General

All gas water heaters are certified at 300 PSI test pressure (2068 kPa) and 150 PSI working pressure (1034 kPa). All water connections are 1" (25mm) NPT on 11" (279mm) centers. All gas connections are 1/2" (13mm).

All models design certified by CSA International (formerly AGA/CGA), ANSI standard Z-21.10.3 and peak performance rated.

**Dimensions and specifications subject to change without notice in accordance with our policy of continuous product improvement.**

**Suitable for Water (Potable) Heating and Space Heating.**

Toxic chemicals, such as those used for boiler treatment, shall NEVER be introduced into this system. This unit may NEVER be connected to any existing heating system or component(s) previously used with a non-potable water heating appliance.



For U.S. and Canada field service, contact your professional installer or local Bradford White sales representative.

Sales 800-523-2931 • Fax 215-641-1670 / Technical Support 800-334-3393 • Fax 269-795-1089 • Warranty 800-531-2111 • Fax 269-795-1089

International: Telephone 215-641-9400 • Telefax 215-641-9750 / [www.bradfordwhite.com](http://www.bradfordwhite.com)

**BRADFORD WHITE-CANADA** INC. Sales / Technical Support 866-690-0961 / 905-238-0100 • Fax 905-238-0105 / [www.bradfordwhite.com](http://www.bradfordwhite.com)

**Built to be the Best™**

©2013, Bradford White Corporation. All rights reserved.