

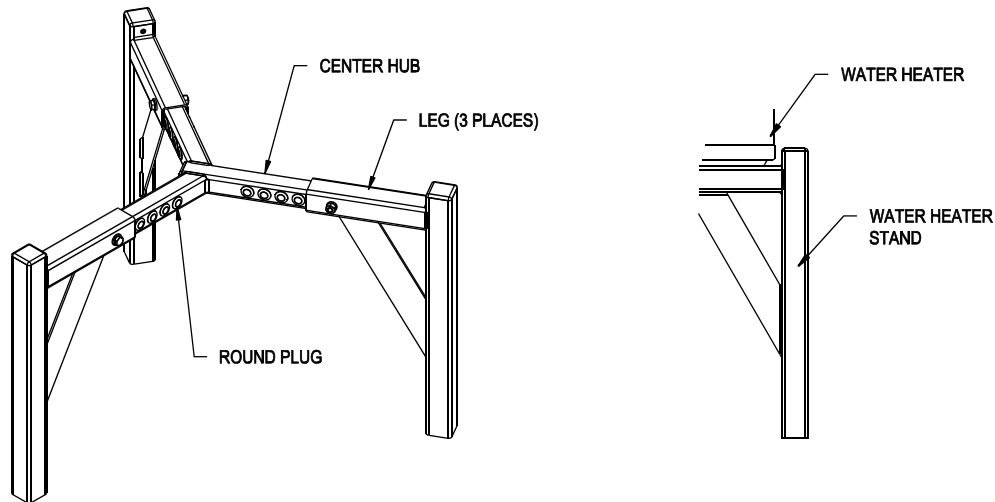
RESIDENTIAL GAS WATER HEATER STAND

Designed to be in compliance with the requirements prescribed by the National Fuel Gas Code, ANSI Z221.1 (Latest Edition), Section 5:19 - INSTALLATION IN RESIDENTIAL GARAGES.

CAUTION: LOCATION SHOULD BE PROTECTED TO AVOID DAMAGE BY A MOVING VEHICLE.

Do not use or store gasoline or any flammable liquids, sprays or materials emitting volatile vapors in the vicinity of the water heater. The water heater's pilot or main burner can be a source for ignition. **Do Not** obstruct the flow of ventilation air.

Propellants of aerosol sprays and fumes of volatile compounds (cleaners, chlorine based chemicals, refrigerants, etc.), in addition to being highly flammable in many cases, will also change to corrosive hydrochloric acid when exposed to the combustion products of the water heater. The results may be hazardous, cause service problems and product failure.



RESIDENTIAL WATER HEATER STAND - ASSEMBLY INSTRUCTIONS

QUANTITY	DESCRIPTION
3	Leg
1	Center Hub
3	5/16 x 2 Leg Bolt
3	5/16 Lock Washer
3	5/16 Nut
3	5/16 Flat Washer
24	3/8 Round Plug

ASSEMBLY

Note: The plugs must be used for compliance to NSF standards.

1. Slide Leg(s) into Center Hub.
2. Determine and set Leg spacing. Holes have been pre-drilled to match water heater diameter, i.e.; the inner-most hole of the hub fits a 16" diameter water heater. (Other sizes are 18", 20", 22", 24 1/4", and 26")
3. Make certain that leg spacing is correct, insert bolt(s) into the holes provided and attach washers and nut. Tighten assembly.
4. The 3/8" round plugs must be installed in all unused bolt holes.