

Vertical Wall Hung Electric Water Heaters



The Vertical Wall Hung Electric Models Feature:

- **Glass Lined Steel Tank.**
- **40 mm (1.6") Non-CFC Polyurethane Foam Insulation.**
- **Integral Heating Element and Thermostat With Manual High Limit.**
 - Flange style element transfers heat directly and efficiently to the water.
 - Adjustable thermostat sensor immersed in the water for accurate temperature control.
- **Pilot Lights**—Indicate that the elements are actively heating the water.
- **Temperature Indicator.**
- **Protective Magnesium Anode Rod**—Provides added protection against corrosion for long-term, trouble-free service.
- **Water Connections—G1/2 (BSPP)**—Color-coded for ease of installation.
- **Powder Coated External Jacket.**
- **IEC Compliant.**
- **220V/230V, 50/60 Hz., Single Phase Operation Only.**



IEC

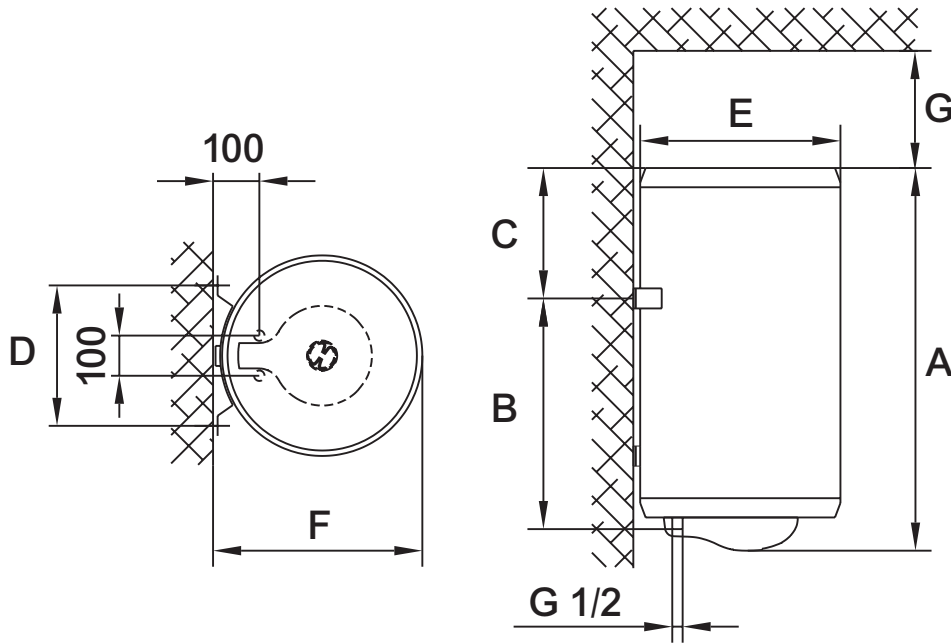
5-Year Limited Tank Warranty / 1-Year Limited Warranty on Component Parts.

For more information on warranty, please visit www.bradfordwhite.com

Vertical Wall Hung Electric Water Heaters

Model Number	Liters	kW Input	A		B		C		D		E		F		G		Approx. Shipping Weight	
			in.	mm.	in.	mm.	in.	mm.	in.	mm.	in.	mm.	in.	mm.	in.	mm.	lbs.	kg.
BW50V	50	2.0	22.4	570	14.4	365	7.3	185	13.8	350	19.7	500	20	507	7.3	185	59	27
BW80V	80	2.0	30.5	775	22.2	565	7.5	190	13.8	350	19.7	500	20	507	7.3	185	76	33
BW100V	100	2.0	36.8	935	28.1	715	7.9	200	13.8	350	19.7	500	20	507	7.3	185	82	38
BW120V	120	2.0	42.9	1090	34.1	865	8.1	205	13.8	350	19.7	500	20	507	7.3	185	93	43
BW150V	150	2.0	51.5	1307	TBD	TBD	TBD	TBD	13.8	350	19.7	500	20	507	7.3	185	108	49

All models will be wired for 220V/240V, single phase, 50/60 Hertz operation.
 All Water Connections are G1/2 (BSPP)



General

All models are manufactured in accordance with IEC Standards and have an IP23 rating. All models certified to EN-standard 20 bar (290 PSI) test pressure and up to 9 bar (131 PSI) working pressure..

Dimensions and specifications subject to change without notice in accordance with our policy of continuous product improvement.



Telephone: 215-641-9400 • Email: international@bradfordwhite.com / www.bradfordwhite.com

Built to be the Best™