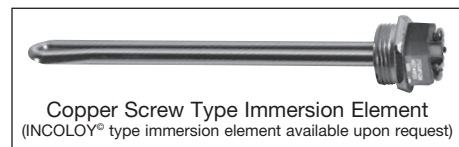


Utility Electric Water Heater



Photo is of
M-I-12UT6SS



The Utility Electric Models Feature:



Bradford White is ISO registered to the 9001-2008 standard.

- **UL-174 and IEC Certified.**
- **Fully Automatic Thermostat Controls**—Fast acting surface-mount thermostat with high limit energy cut-off (manual reset) for safety.
- **Direct Heat Transfer With a Single Immersed Element**—Transfers heat directly and efficiently to the water. Screw-in style element.
- **Vitraglas[®] Lining**—An exclusively engineered enamel formula that provides superior tank protection from the highly corrosive effects of hot water. This formula (Vitraglas[®]) is fused to the steel surface by firing at a temperature of over 1600°F (871°C).
- **Insulation System**—1" (25mm) Non-CFC foam insulation covers the sides and top of the tank, reducing heat loss. This results in less energy consumption, improved efficiencies, and jacket rigidity.
- **Water Connections**—3/4" (19mm) NPT factory-supplied true dielectric fittings extend water heater life. Located on the side for easier installation (Fittings packaged separately inside carton).
- **Protective Magnesium Anode Rod**—Provides added protection against corrosion for long-term, trouble-free service.
- **Voltages Available**—120V, 208V, 240V, 277V, 480V.
- **Single Phase Operation Only.**
- **T&P Relief Valve Included**—All models have special tapping on side of tank.
- **Suitable for residential and light duty commercial applications.**



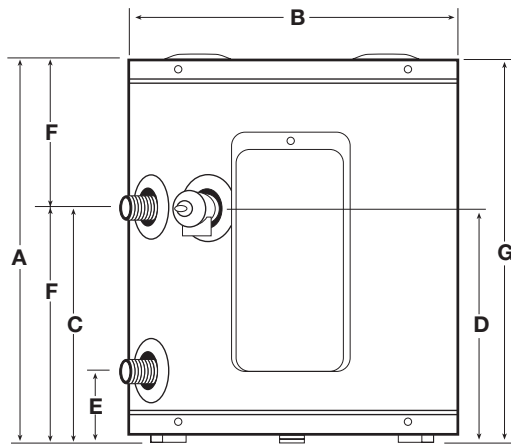
Residential Warranty: 6 or 10 Year Limited Tank Warranty / 1 Year Parts Warranty.
Commercial Warranty: 3 or 5 Year Limited Tank Warranty / 1 Year Parts Warranty.
For more information on warranty, please visit www.bradfordwhite.com

Utility Electric Water Heater

Model Number	Capacity		Recovery 90°F Rise		A Floor to Heater Top	B Jacket Dia.	C Floor to Hot Water Conn.	D Floor to T&P Conn.	E Floor to Cold Water Conn.	F Floor to Anode Rod	G Floor to Electrical Access	Approx. Shipping Weight
	U.S. Gal.	Imp. Gal.	U.S.* GPH	Imp.* GPH	in.	in.	in.	in.	in.	in.	in.	lbs.
M-I-6U6SS	6	5	7	6	16½	14	10⅞	10⅞	3⅞	16½	16½	33
M-I-12UT6SS	12	10	7	6	27¾	14	21⅞	21⅞	3	16½	16⅞	48
M-I-20U6SS	19	16	7	6	24¾	18	18¼	18¼	3	10¼	24¾	59
M-I-30U6SS	30	25	7	6	29¾	20	23¼	23¼	4⅞	30	30	82

Model Number	Capacity		Recovery 50°C Rise		A Floor to Heater Top	B Jacket Dia.	C Floor to Hot Water Conn.	D Floor to T&P Conn.	E Floor to Cold Water Conn.	F Floor to Anode Rod	G Floor to Electrical Access	Approx. Shipping Weight
	Liters	Liters/* Hour	mm.	mm.	mm.	mm.	mm.	mm.	mm.	mm.	mm.	kg.
M-I-6U6SS	23	26	419	356	257	257	79	444	419	15		
M-I-12UT6SS	45	26	705	537	537	76	439	429	22			
M-I-20U6SS	72	26	629	464	464	76	464	628	27			
M-I-30U6SS	114	26	756	591	591	111	762	762	37			

The Utility Water Heaters will be wired 120 volt with (1) 1500 watt element, unless otherwise specified. Maximum wattage for 120V is 3000W. Maximum wattage for 6 and 12 gallon utility models is 3000W, regardless of voltage. Maximum wattage for 20 and 30 gallon utility models is 6000W.



6, 12, 20 & 30 Gallon Models

Wattage	Recovery GPH Temperature Rise °F				
	60	80	90	100	120
1500W	10	8	7	6	5
2000W	14	10	9	8	7
2500W	17	13	11	10	9
3000W	21	15	14	12	10
3500W	24	18	16	14	12
4000W	28	21	18	16	14
4500W	31	23	21	19	15
5000W	34	26	23	21	17
5500W	38	29	25	23	19
6000W	41	31	28	25	21

Wattage Limitations	Voltage				
	120V	208V	240V	277V	480V
1500W	yes	yes	yes	yes	yes
2000W	yes	yes	yes	yes	yes
2500W	yes	yes	yes	yes	yes
3000W	yes	yes	yes	yes	yes
3500W	no	yes	yes	no	no
4000W	no	yes	yes	yes	yes
4500W	no	yes	yes	yes	yes
5000W	no	yes	yes	yes	yes
5500W	no	yes	yes	no	no
6000W	no	yes	yes	yes	yes

General

All models ETL listed. These heaters are wired 120V with one 1500W element, unless otherwise specified. All water and electrical connections are 3/4" (19mm) NPT. All models certified at 300 psi test pressure (2068 kPa) and 150 psi working pressure (1034 kPa). Applicable models CSA verified for energy performance in accordance with C191.1-M90.

Dimensions and specifications subject to change without notice in accordance with our policy of continuous product improvement.

Suitable for Water (Potable) Heating and Space Heating.

Toxic chemicals, such as those used for boiler treatment, shall NEVER be introduced into this system. This unit may NEVER be connected to any existing heating system or component(s) previously used with a non-potable water heating appliance.

Telephone: 215-641-9400 • Email: international@bradfordwhite.com / www.bradfordwhite.com

Built to be the Best