



BRADFORD WHITE[®]
W A T E R H E A T E R S

REPLACEMENT PARTS LIST
Ultra Low NOx
Residential & Light Duty Commercial Gas
Power Direct Vent Models

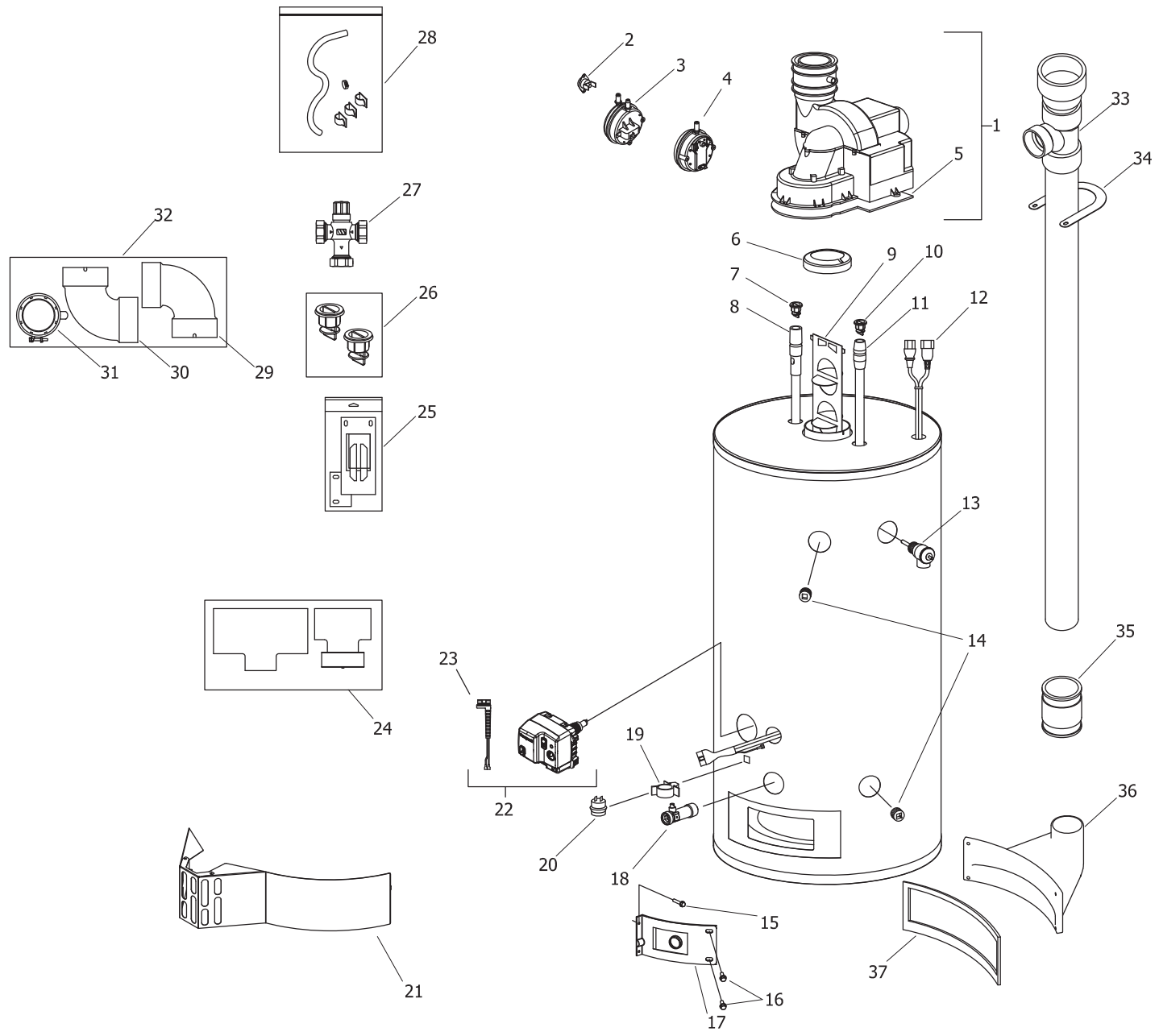


Includes Hydrojet[®]
Total Performance System

Effective: May, 2015
ECO 7950

**NOTE: BOTH MODEL AND SERIAL
NUMBERS ARE REQUIRED FOR
ORDERING REPLACEMENT PARTS**

Dimensions and specifications
subject to change without notice.



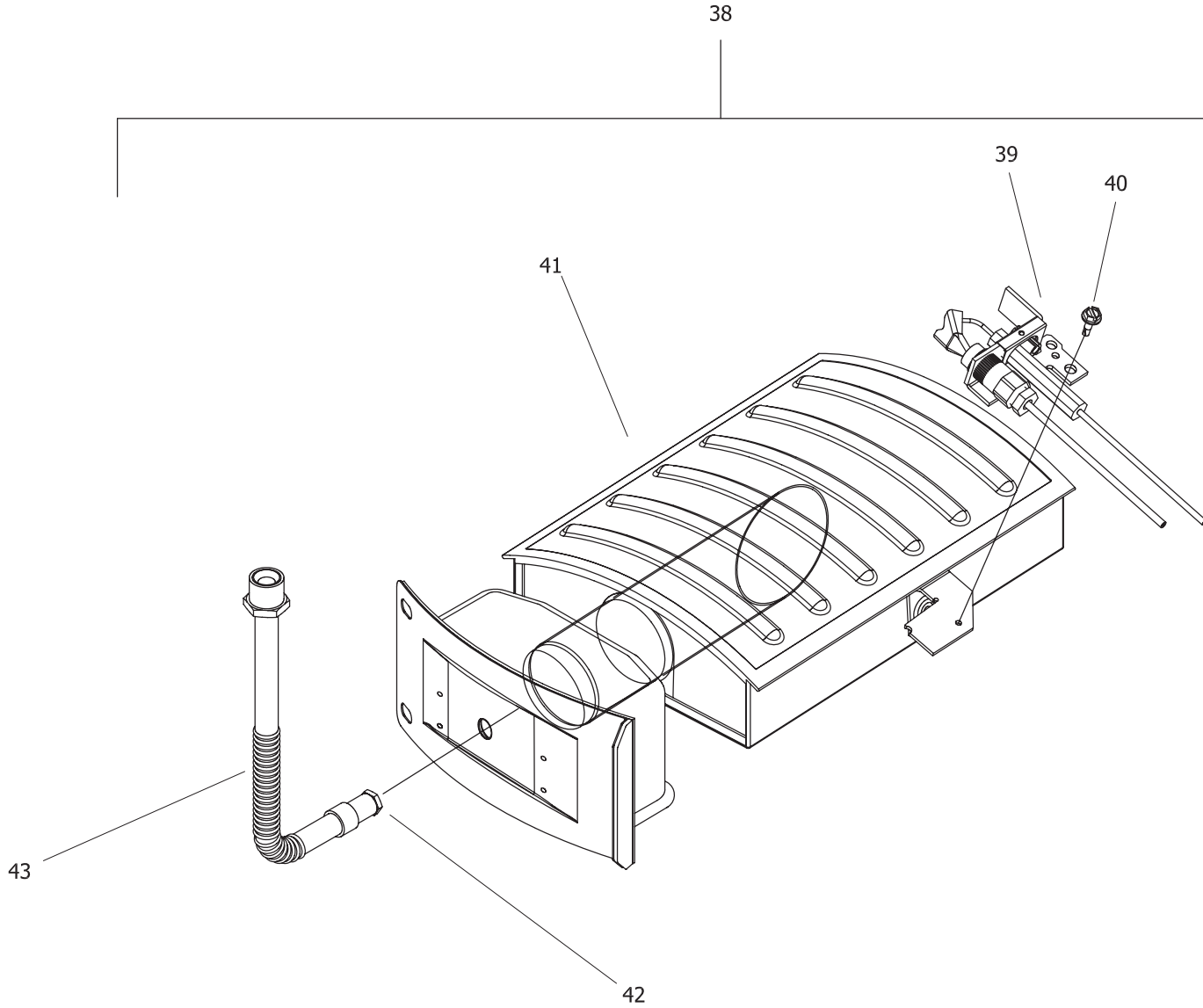
| Item | Description | Model | Model | Model | Model |
|------|--|----------------|----------------|----------------|----------------|
| | | URG2PDV40S*N | URG2PDV50S*N | URG2PDV50H*N | ULG2PDV50H50*N |
| 1 | Blower Assembly 0 Ft. to 2,000 Ft. (Normal Alt.) | 265-47386-00 | 265-47386-00 | 265-47387-00 | 265-47387-00 |
| | Blower Assembly 0 Ft. to 7,000 Ft. (High Alt.) | 239-48527-00 | 239-48527-00 | 239-48528-00 | 239-48528-00 |
| 2 | Blower Temperature Switch | 239-48752-00 | 239-48752-00 | 239-48752-00 | 239-48752-00 |
| 3 | Pressure Switch N.O. (Normal Alt.) Exhaust | 239-48058-01 | 239-48058-01 | 239-48058-01 | 239-48058-01 |
| | Pressure Switch N.O. (High Alt.) Exhaust | 239-48058-02 | 239-48058-02 | 239-48058-02 | 239-48058-02 |
| 4 | Pressure Switch N.C. Intake | 239-46879-01 | 239-46879-01 | 239-46879-01 | 239-46879-01 |
| 5 | Blower Gasket | 239-45866-00 | 239-45866-00 | 239-45866-00 | 239-45866-00 |
| 6 | Flue Reducer | --- | --- | 243-42572-00 | 243-42572-00 |
| 7 | Heat Trap Insert (Outlet) | 239-45167-00 | 239-45167-00 | 239-45167-00 | 239-45167-00 |
| 8 | Hot Water Outlet Anode (Magnesium) ▲# | 224-47776-19 | 224-47776-19 | 224-47776-19 | 224-47776-19 |
| | Hot Water Outlet Anode (Aluminum) ▲# | 224-32999-42 | 224-32999-42 | 224-32999-42 | 224-32999-42 |
| | Hot Water Outlet Anode (A420 Aluminum) ▲# | 224-49560-08 | 224-49560-10 | 224-49560-08 | 224-49560-08 |
| 9 | Flue Baffle | 243-45372-00 | 243-45372-00 | 239-45373-00 | 239-45373-00 |
| 10 | Heat Trap Insert (Inlet) | 239-51556-00 | 239-51556-00 | 239-51556-00 | 239-51556-00 |
| 11 | Cold Water Inlet Dip Tube (PEX) ▲▲ | 229-51230-25 | 229-51230-20 | 229-51230-26 | 229-51230-29 |
| 12 | Blower Harness | 239-45617-03 | 239-45617-03 | 239-45617-02 | 239-45617-02 |
| 13 | T&P Relief Valve | 230-40594-02 | 230-40594-02 | 230-40594-02 | 230-40594-02 |
| 14 | 3/4 NPT Plug | --- | --- | 239-11638-00 | 239-11638-00 |
| 15 | Screw #8-15 x 3/4 HWH | 239-44195-00 | 239-44195-00 | 239-44195-00 | 239-44195-00 |
| 16 | Screw #10-12 x 3/4 HWH | 239-44113-00 | 239-44113-00 | 239-44113-00 | 239-44113-00 |
| 17 | Right Side Inner Door | 239-48216-18 | 239-48216-20 | 239-48216-18 | 239-48216-18 |
| 18 | Brass Drain Valve | 265-42351-02 | 265-42351-02 | 265-42351-02 | 265-42351-02 |
| 19 | Flammable Vapor Sensor Clip | 239-45648-00 | 239-45648-00 | 239-45648-00 | 239-45648-00 |
| 20 | Flammable Vapor Sensor | 239-45560-00 | 239-45560-00 | 239-45560-00 | 239-45560-00 |
| 21 | Outer Door | 239-46209-00 | 239-46209-00 | 239-46209-00 | 239-46209-00 |
| 22 | Gas Valve Direct Replacement Kit (NAT) | 239-49823-02 | 239-49823-02 | 239-49823-02 | 239-49823-04 |
| 23 | Sensor Harness | 239-49791-00 | 239-49791-00 | 239-49791-00 | 239-49791-00 |
| 24 | Air Inlet Relief Device | 239-48391-00 | 239-48391-00 | 239-48392-00 | 239-49392-00 |
| 25 | Inner Door Gasket Kit | 239-51576-00 | 239-51576-00 | 239-51576-00 | 239-51576-00 |
| 26 | Heat Trap Insert Kit | 265-51572-00 | 265-51572-00 | 265-51572-00 | 265-51572-00 |
| 27 | ASSE Approved Mixing Valve (Optional) | 239-43740-01 | 239-43740-01 | 239-43740-01 | 239-43740-01 |
| 28 | Condensate Hose Kit (Optional) | 239-45875-00 | 239-45875-00 | 239-45875-00 | 239-45875-00 |
| 29 | Intake Vent Terminal Elbow | 239-39831-00 | 239-39831-00 | 239-40579-00 | 239-40579-00 |
| 30 | Exhaust Vent Terminal Elbow | 239-39831-00 | 239-39831-00 | 239-40579-00 | 239-40579-00 |
| 31 | Exhaust Adapter | 239-45709-00 | 239-45709-00 | 239-45709-00 | 239-45709-00 |
| 32 | Vent Adapter with Vent Terminal | 239-47992-00 | 239-47992-00 | 239-48781-00 | 239-48781-00 |
| 33 | Tee and Vent Pipe Assembly | 239-51391-02 | 239-51391-01 | 239-47622-01 | 239-47622-01 |
| 34 | Bracket-Vertical intake | 239-47671-02 | 239-47671-02 | 239-47671-01 | 239-47671-01 |
| 35 | Coupling-2 X 2 | 239-47850-00 | 239-47850-00 | 239-47850-00 | 239-47850-00 |
| 36 | Air Intake Boot | 239-47514-18 | 239-47514-20 | 239-47514-18 | 239-47514-18 |
| 37 | Air Intake Boot Gasket | w/ Intake Boot | w/ Intake Boot | w/ Intake Boot | w/ Intake Boot |

*Applies to all warranties

Anode may need to be cut to length

▲ Order with item 7

▲▲ Order with item 10



NATURAL GAS (BN) BURNER ASSEMBLY

| Item Description | Model URG2PDV40S*N | Model URG2PDV50S*N | Model URG2PDV50H*N | Model ULG2PDV50H50*N |
|--|-----------------------|-----------------------|-----------------------|-------------------------|
| Natural Gas BN Burner Assembly | | | | |
| 38 Nat. Gas Burner Assembly Complete*** | 265-51016-01-37 | 265-51016-02-37 | 265-48801-03-33 | 265-48801-03-33 |
| 39 Nat. Gas Pilot Assembly** | 265-50195-01 | 265-50195-01 | 265-48175-04 | 265-48175-04 |
| Nat. Gas Pilot Assembly with inner door gasket kit | 265-51766-00 | 265-51766-00 | 265-51574-00 | 265-51574-00 |
| 40 Screw #8-18 x 1/2 | 239-32761-00 | 239-32761-00 | 239-32761-00 | 239-32761-00 |
| 41 Nat. Gas (N) Burner** | 228-48691-23 | 228-48691-24 | 228-48691-19 | 228-48691-19 |
| 42 Nat. Gas (N) Main Burner Orifice 0 Ft. to 2,000 Ft.** | 234-18194-37 | 234-18194-37 | 234-18194-33 | 234-18194-33 |
| Nat. Gas (N) High Altitude 0 Ft. to 7,000 Ft.** | 234-18194-42 | 234-18194-42 | 234-18194-38 | 234-18194-38 |
| Nat. Gas (N) High Altitude 7,001-10,000 Ft. | 265-51320-03-43 | 265-51320-03-43 | 265-51320-03-41 | 265-51320-03-41 |
| 43 Nat. Gas Universal Feedline** | 233-49398-02 | 233-49398-02 | 233-49398-02 | 233-49398-02 |

*Applies to all warranties

**Inner door gasket kit recommended

***Ordering a complete burner assembly may increase delivery time. Please order the specific component required for the quickest delivery.



BRADFORD WHITE®

W A T E R H E A T E R S

Ambler, PA

For U.S. and Canada field service,
contact your professional installer or
local Bradford White sales representative.

Sales/800-523-2931
Fax/215-641-1670
Parts Fax/215-641-2180

Technical Support/800-334-3393
Fax/269-795-1089

Warranty/800-531-2111
Fax/269-795-1089

International:
Telephone/215-641-9400
Telefax/215-641-9750



BRADFORD WHITE-CANADA® INC.

Mississauga, ON

Sales/866-690-0961
905-238-0100

Fax/905-238-0105

Technical Support/800-334-3393

Email

parts@bradfordwhite.com
techserv@bradfordwhite.com

www.bradfordwhite.com