



**RESIDENTIAL & LIGHT DUTY COMMERCIAL GAS  
REPLACEMENT PARTS LIST  
High-Input Direct Vent (DH1, DH Series)  
Energy Saver Models**



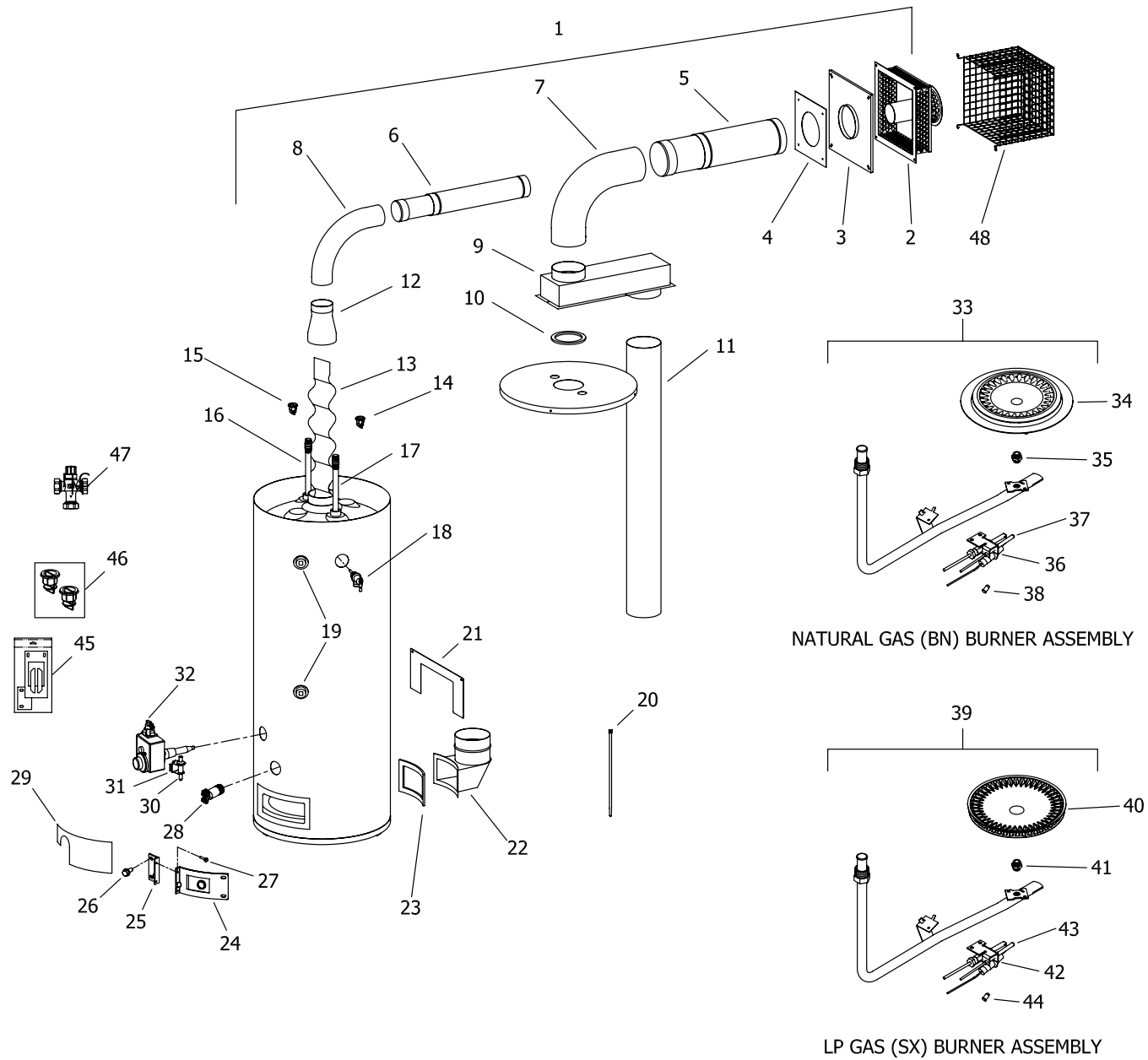
**DEFENDER**  
SAFETY SYSTEM<sup>®</sup>

Includes Hydrojet<sup>®</sup>  
Total Performance System

***Effective: July, 2008  
ECO 7291-2***

**NOTE: BOTH MODEL AND SERIAL  
NUMBERS ARE REQUIRED FOR  
ORDERING REPLACEMENT PARTS**

Dimensions and specifications  
subject to change without notice.



LP GAS (SX) BURNER ASSEMBLY TO REPLACE LP GAS (CX) BURNER ASSEMBLY  
ON ALL MODELS EXCEPT 75 & 100 GAL. MODELS

| Item | Description  | Model<br>DH50T50F<br>(B*N,C*X, S*X) | Model<br>DH65T55F<br>(B*N,C*X, S*X) | Model<br>DH75T60F<br>(B*N,C*X, S*X) | Model<br>DH1504T*F<br>(BN,CX, SX) | Model<br>DH165T*F<br>(BN,CX, SX) | Model<br>DH175S*F<br>(BN,CX, SX) |
|------|--|-------------------------------------|-------------------------------------|-------------------------------------|-----------------------------------|----------------------------------|----------------------------------|
| 1    | Vent package White                                       | 239-45412-00                        | 239-45412-00                        | 239-45412-00                        | 239-45412-00                      | 239-45412-00                     | 239-45412-00                     |
|      | Aluminum   | 239-42980-00                        | 239-42980-00                        | 239-42980-00                        | 239-42980-00                      | 239-42980-00                     | 239-42980-00                     |
|      | Brown (STD)  | 239-42979-00                        | 239-42979-00                        | 239-42979-00                        | 239-42979-00                      | 239-42979-00                     | 239-42979-00                     |
| 2    | Direct Vent-Air Intake Terminal (STD Brown)              | 239-42832-00                        | 239-42832-00                        | 239-42832-00                        | 239-42832-00                      | 239-42832-00                     | 239-42832-00                     |
|      | Direct Vent-Air Intake Terminal (Opt. White)             | 239-45413-00                        | 239-45413-00                        | 239-45413-00                        | 239-45413-00                      | 239-45413-00                     | 239-45413-00                     |
|      | Direct Vent-Air Intake Terminal (Opt. Aluminum)          | 239-42274-00                        | 239-42274-00                        | 239-42274-00                        | 239-42274-00                      | 239-42274-00                     | 239-42274-00                     |
| 3    | Outer Wall Mounting Plate (STD Brown)                    | 239-42833-00                        | 239-42833-00                        | 239-42833-00                        | 239-42833-00                      | 239-42833-00                     | 239-42833-00                     |
|      | Outer Wall Mounting Plate (Opt. White)                   | 239-45414-00                        | 239-45414-00                        | 239-45414-00                        | 239-45414-00                      | 239-45414-00                     | 239-45414-00                     |
|      | Outer Wall Mounting Plate (Opt. Aluminum)                | 239-42447-00                        | 239-42447-00                        | 239-42447-00                        | 239-42447-00                      | 239-42447-00                     | 239-42447-00                     |
| 4    | Backing Plate  | 239-42449-00                        | 239-42449-00                        | 239-42449-00                        | 239-42449-00                      | 239-42449-00                     | 239-42449-00                     |
| 5    | Six inch Diameter Telescopic Air Intake Tube (w/STD kit) | 239-42459-00                        | 239-42452-00                        | 239-42452-00                        | 239-42452-00                      | 239-42452-00                     | 239-42452-00                     |
| 6    | Four inch Diameter Telescopic Vent Tube (w/STD kit)      | 239-42460-00                        | 239-42460-00                        | 239-42460-00                        | 239-42460-00                      | 239-42460-00                     | 239-42460-00                     |
| 7    | Six inch Diameter Elbow                                  | 239-42067-00                        | 239-42067-00                        | 239-42067-00                        | 239-42067-00                      | 239-42067-00                     | 239-42067-00                     |
| 8    | Four inch Diameter Elbow                                 | 239-42068-00                        | 239-42068-00                        | 239-42068-00                        | 239-42068-00                      | 239-42068-00                     | 239-42068-00                     |
| 9    | Plenum   | 239-42069-01                        | 239-42069-02                        | 239-42069-03                        | 239-42069-01                      | 239-42069-02                     | 239-42069-03                     |
| 10   | Plenum Gasket  | 239-41070-02                        | 239-41070-02                        | 239-41070-02                        | 239-41070-02                      | 239-41070-02                     | 239-41070-02                     |
| 11   | Air Intake Tube  | 239-41012-02                        | 239-41012-03                        | 239-41012-02                        | 239-41012-02                      | 239-41012-03                     | 239-41012-02                     |
| 12   | Flue Reducer   | 239-42066-00                        | 239-42066-00                        | 239-42066-00                        | 239-42066-00                      | 239-42066-00                     | 239-42066-00                     |
| 13   | Flue Baffle  | 243-44646-00                        | 243-44650-00                        | 243-42062-00                        | 243-44646-00                      | 243-44650-00                     | 243-42062-00                     |
| 14   | Heat Trap Insert (Inlet)                                 | 239-45073-00                        | 239-45073-00                        | 239-45073-00                        | 239-45073-00                      | 239-45073-00                     | 239-45073-00                     |
| 15   | Heat Trap Insert (Outlet)                                | 239-45167-00                        | 239-45167-00                        | 239-45167-00                        | 239-45167-00                      | 239-45167-00                     | 239-45167-00                     |
| 16   | Hot Water Outlet Anode Magnesium ▲                       | 224-32731-86                        | 224-32731-86                        | 224-32731-86                        | 224-32731-86                      | 224-32731-83                     | 224-32731-83                     |
|      | Aluminum ▲   | 224-32999-30                        | 224-32999-30                        | 224-32999-30                        | 224-32999-30                      | 224-32999-06                     | 224-32999-06                     |
|      | A420 Aluminum ▲  | 224-45147-01                        | 224-45147-01                        | 224-45147-01                        | 224-45147-01                      | 229-45147-03                     | 229-45147-03                     |
| 17   | Cold Water Inlet Dip Tube Polypropylene ▲ ▲              | 229-39625-20                        | 229-39625-19                        | 229-39625-19                        | 229-39625-18                      | 229-39625-06                     | 229-39625-06                     |
|      | Polysulfone (NC Code) ▲ ▲                                | 229-39628-20                        | 229-39628-19                        | 229-39628-19                        | 229-39628-18                      | 229-39628-06                     | 229-39628-06                     |
| 18   | T&P Relief Valve   | 230-32920-01                        | 230-32920-01                        | 230-32920-01                        | 230-32920-01                      | 230-32920-01                     | 230-32920-01                     |
| 19   | 3/4 NPT Plug   | 239-11638-00                        | 239-11638-00                        | 239-11638-00                        | 239-11638-00                      | 239-11638-00                     | 239-11638-00                     |
| 20   | Wire Tie   | 239-44328-00                        | 239-44328-00                        | 239-44328-00                        | 239-44328-00                      | 239-44328-00                     | 239-44328-00                     |
| 21   | Direct Vent Boot Escutcheon                              | 243-46922-00                        | 243-46922-00                        | 243-46922-00                        | 243-46922-00                      | 243-46922-00                     | 243-46922-00                     |
| 22   | Air Intake boot  | 239-46755-01                        | 239-46755-02                        | 239-46755-03                        | 239-46755-01                      | 239-46755-02                     | 239-46755-03                     |
| 23   | Air Intake Boot Gasket                                   | 223-41067-00                        | 223-41067-00                        | 223-41067-00                        | 223-41067-00                      | 223-41067-00                     | 223-41067-00                     |
| 24   | Right Side Inner Door                                    | 239-45642-18                        | 239-45642-20                        | 239-45642-20                        | 239-45642-18                      | 239-45642-20                     | 239-45642-20                     |
| 25   | Left Side Inner Door                                     | 239-43968-18                        | 239-43968-20                        | 239-43968-20                        | 239-43968-18                      | 239-43968-20                     | 239-43968-20                     |
| 26   | Screw-#10-12 x 3/4 HWH                                   | 239-44113-00                        | 239-44113-00                        | 239-44113-00                        | 239-44113-00                      | 239-44113-00                     | 239-44113-00                     |
| 27   | Screw-#8-18 x 3/4 HWH                                    | 239-44195-00                        | 239-44195-00                        | 239-44195-00                        | 239-44195-00                      | 239-44195-00                     | 239-44195-00                     |
| 28   | Brass Drain Valve  | 265-42351-02                        | 265-42351-02                        | 265-42351-02                        | 265-42351-02                      | 265-42351-02                     | 265-42351-02                     |
| 29   | Outer Door   | 243-43962-00                        | 243-43962-00                        | 243-43962-00                        | 243-43962-00                      | 243-43962-00                     | 243-43962-00                     |
| 30   | Piezo Igniter  | 239-43448-00                        | 239-43448-00                        | 239-43448-00                        | 239-43448-00                      | 239-43448-00                     | 239-43448-00                     |
| 31   | Piezo Mounting Bracket                                   | 239-46157-02                        | 239-46157-02                        | 239-46157-02                        | 239-46157-02                      | 239-46157-02                     | 239-46157-02                     |
| 32   | Combination Gas Control w/E.C.O. NAT.                    | 265-46365-01                        | 265-46365-01                        | 265-46365-01                        | 265-46181-03                      | 265-46181-03                     | 265-46181-03                     |
|      | Combination Gas Control w/E.C.O. L.P.                    | 265-46366-01                        | 265-46366-01                        | 265-46366-01                        | 265-43182-03                      | 265-43182-03                     | 265-43182-03                     |

\*Applies to all warranties

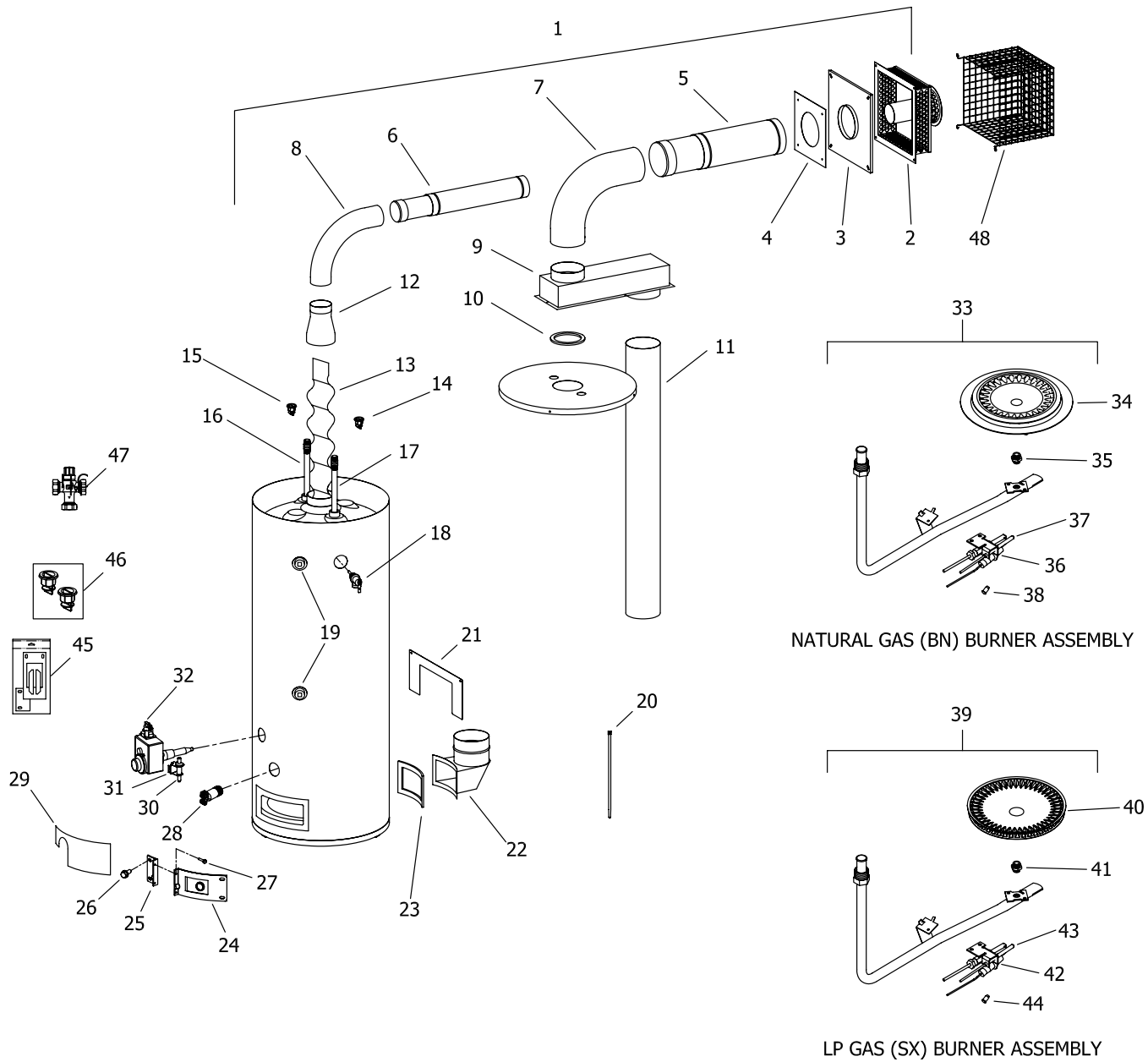
\*\*Inner door gasket kit recommended

\*\*\*Ordering a complete burner assembly may increase delivery time. Please order the specific component required for the quickest delivery.

▲ Order with item 15

▲▲ Order with item 14





LP GAS (SX) BURNER ASSEMBLY TO REPLACE LP GAS (CX) BURNER ASSEMBLY  
ON ALL MODELS EXCEPT 75 & 100 GAL. MODELS

| Item Description   | Model<br>DH50T50F<br>(B*N,C*X, S*X) | Model<br>DH65T55F<br>(B*N,C*X, S*X) | Model<br>DH75T60F<br>(B*N,C*X, S*X) | Model<br>DH1504T*F<br>(BN,CX, SX) | Model<br>DH165T*F<br>(BN,CX, SX) | Model<br>DH175S*F<br>(BN,CX, SX) |
|--|-------------------------------------|-------------------------------------|-------------------------------------|-----------------------------------|----------------------------------|----------------------------------|
| <b>Natural Gas BN Burner Assembly</b>                                    |                                     |                                     |                                     |                                   |                                  |                                  |
| 33 Nat Gas Burner Assembly Complete***                                   | 265-43971-03-31                     | 265-43971-04-30                     | 265-43971-06-29                     | 265-43971-03-31                   | 265-43971-04-30                  | 265-43971-06-29                  |
| 34 Nat. Gas BN Burner**  | 228-42506-00                        | 228-42506-00                        | 228-42506-00                        | 228-42506-00                      | 228-42506-00                     | 228-42506-00                     |
| 35 Nat. Gas Main Burner Orifice**  | 234-41034-31                        | 234-41034-30                        | 234-41034-29                        | 234-41034-31                      | 234-41034-30                     | 234-41034-29                     |
| Nat. Gas High Altitude 2001 Ft. to 5000 Ft.**                            | 234-41034-33                        | 234-41034-31                        | 234-41034-30                        | 234-41034-33                      | 234-41034-31                     | 234-41034-30                     |
| Nat. Gas High Altitude 5001 Ft. to 8000 Ft.**                            | 234-41034-36                        | 234-41034-32                        | 234-41034-31                        | 234-41034-36                      | 234-41034-32                     | 234-41034-31                     |
| Nat. Gas High Altitude Over 8000 Ft.**                                   | 234-41034-38                        | 234-41034-33                        | 234-41034-31                        | 234-41034-38                      | 234-41034-33                     | 234-41034-31                     |
| 36 Nat. Gas Pilot Assembly**   | 233-46277-05                        | 233-46277-03                        | 233-46277-04                        | 233-46277-05                      | 233-46277-03                     | 233-46277-04                     |
| 37 Thermocouple**  | 233-46501-24                        | 233-46501-24                        | 233-46501-24                        | 233-46501-24                      | 233-46501-24                     | 233-46501-24                     |
| 38 Nat. Gas Pilot Orifice**  | 234-46502-05                        | 234-46502-05                        | 234-46502-05                        | 234-46502-05                      | 234-46502-05                     | 234-46502-05                     |
| <b>LP Gas SX Burner Assembly Replacement for LP Gas Cast Iron Burner</b> |                                     |                                     |                                     |                                   |                                  |                                  |
| 39 LP Gas Burner Assembly Complete***                                    | 265-47440-12-47                     | 265-47440-18-46                     | 265-47118-04-43                     | 265-47440-12-47                   | 265-47440-18-46                  | 265-47118-04-43                  |
| 40 LP Gas SX Burner**  | 228-47000-00                        | 228-47000-00                        | 228-47000-00                        | 228-47000-00                      | 228-47000-00                     | 228-47000-00                     |
| 41 LP Gas SX Main Burner Orifice**                                       | 234-47064-47                        | 234-47064-46                        | 234-47064-43                        | 234-47064-47                      | 234-47064-46                     | 234-47064-43                     |
| LP Gas SX High Altitude 2001 Ft. to 5000 Ft.**                           | 234-47064-49                        | 234-47064-48                        | 234-47064-46                        | 234-47064-49                      | 234-47064-48                     | 234-47064-46                     |
| LP Gas SX High Altitude 5001 Ft. to 8000 Ft.**                           | 234-47064-50                        | 234-47064-49                        | 234-47064-47                        | 234-47064-50                      | 234-47064-49                     | 234-47064-47                     |
| LP Gas SX High Altitude Over 8000 Ft.**                                  | 234-47064-51                        | 234-47064-50                        | 234-47064-47                        | 234-47064-51                      | 234-47064-50                     | 234-47064-47                     |
| 42 LP Gas SX Pilot Assembly**  | 233-46278-03                        | 233-46278-03                        | 233-46278-03                        | 233-46278-03                      | 233-46278-03                     | 233-46278-03                     |
| 43 Thermocouple**  | 233-46501-24                        | 233-46501-24                        | 233-46501-24                        | 233-46501-24                      | 233-46501-24                     | 233-46501-24                     |
| 44 LP Gas SX Pilot Orifice**   | 234-46502-02                        | 234-46502-02                        | 233-46502-02                        | 234-46502-02                      | 234-46502-02                     | 233-46502-02                     |
| 45 Inner Door Gasket Kit   | 239-44078-00                        | 239-44078-00                        | 239-44078-00                        | 239-44078-00                      | 239-44078-00                     | 239-44078-00                     |
| 46 Heat Trap Insert Kit  | 265-45419-00                        | 265-45419-00                        | 265-45419-00                        | 265-45419-00                      | 265-45419-00                     | 265-45419-00                     |
| 47 ASSE Approved Mixing Valve (Optional)                                 | 239-43740-01                        | 239-43740-01                        | 239-43740-01                        | 239-43740-01                      | 239-43740-01                     | 239-43740-01                     |
| 48 Direct Vent-Air Intake Terminal Guard (Optional)                      | 239-41453-00                        | 239-41453-00                        | 239-41453-00                        | 239-41453-00                      | 239-41453-00                     | 239-41453-00                     |
| - LP to Natural Gas Conversion Kit (Norm Alt.)                           | 265-45712-41                        | 265-45712-42                        | 265-45712-43                        | 265-45712-33                      | 265-45712-34                     | 265-45712-35                     |
| - LP to Natural Gas Conversion Kit (High Alt.)                           | 265-45712-44                        | 265-45712-45                        | 265-45712-46                        | 265-45712-38                      | 265-45712-39                     | 265-45712-40                     |

\*Applies to all warranties

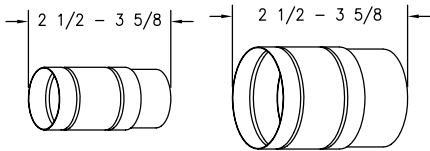
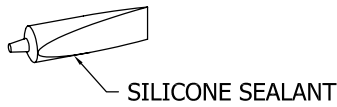
\*\*Inner door gasket kit recommended

\*\*\*Ordering a complete burner assembly may increase delivery time. Please order the specific component required for the quickest delivery.

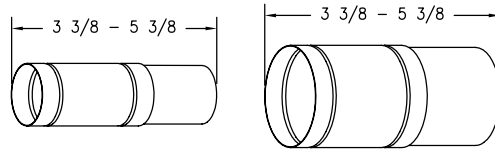
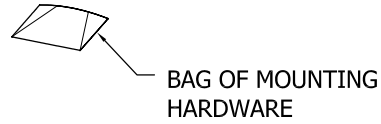
▲ Order with item 15

▲▲ Order with item 14

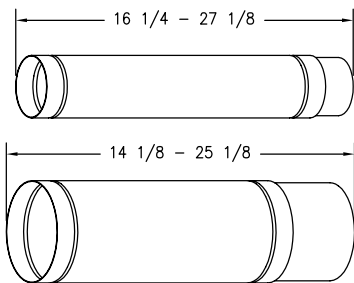




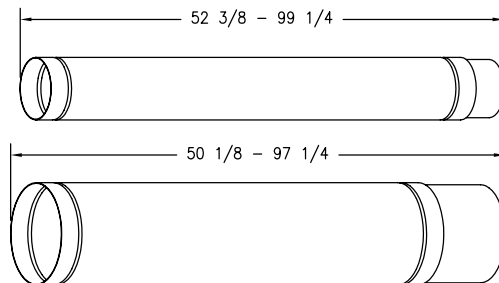
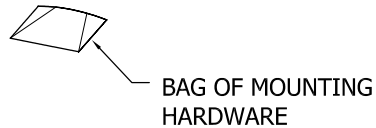
DIRECT VENT-AIR INTAKE KIT F  
PART NO. 239-42516-00 (OPTIONAL)



DIRECT VENT-AIR INTAKE KIT G  
PART NO. 239-42517-00 (OPTIONAL)



DIRECT VENT-AIR INTAKE KIT H  
PART NO. 239-42514-00 (OPTIONAL)  
ABOVE TUBE LENGTHS SUPPLIED WITH HEATER



DIRECT VENT-AIR INTAKE KIT I  
PART NO. 239-42512-00 (OPTIONAL)

**VENT KITS**

Horizontal "X"

|              |                     | 16 1/4<br>17 3/16                               | 18<br>20 11/16                                  | 25 1/4<br>35 3/16                | 37 3/4<br>57 7/8                                | 61 5/16<br>107 5/16                             |
|--------------|---------------------|---|---|----------------------------------|---|---|
| Vertical "y" | 11 9/16             | order kit F<br>239-42516-00                     | order kit G<br>239-42517-00                     | <b>no add'l<br/>kit req'd</b>    | order kit H<br>239-42514-00                     | order kit I<br>239-42512-00                     |
|              | 16 5/16<br>17 1/4   | order kit F *(2)<br>239-42516-00                | order kit F & G<br>239-42516-00<br>239-42517-00 | order kit F<br>239-42516-00      | order kit F & H<br>239-42516-00<br>239-42514-00 | order kit F & I<br>239-42516-00<br>239-42512-00 |
|              | 18 1/16<br>20 3/4   | order kit F & G<br>239-42516-00<br>239-42517-00 | order kit G *(2)<br>239-42517-00                | order kit G<br>239-42517-00      | order kit G & H<br>239-42517-00<br>239-42514-00 | order kit G & I<br>239-42517-00<br>239-42512-00 |
|              | 25 5/16<br>35 1/4   | order kit F<br>239-42516-00                     | order kit G<br>239-42517-00                     | order kit H<br>239-42514-00      | order kit H *(2)<br>239-42514-00                | order kit I<br>239-42512-00                     |
|              | 38 1/16<br>57 15/16 | order kit F & H<br>239-42516-00<br>239-42514-00 | order kit G & H<br>239-42517-00<br>239-42514-00 | order kit H *(2)<br>239-42514-00 | order kit H *(3)<br>239-42514-00                | order kit H & I<br>239-42514-00<br>239-42512-00 |
|              | 61 3/8<br>107 3/8   | order kit F & I<br>239-42516-00<br>239-42512-00 | order kit G & I<br>239-42517-00<br>239-42512-00 | order kit I<br>239-42512-00      | order kit H & I<br>239-42514-00<br>239-42512-00 | order kit I *(2)<br>239-42512-00                |

\*(2) = Order two kits

\*(3) = Order three kits



# **BRADFORD WHITE®**

W A T E R H E A T E R S

Ambler, PA

For U.S. and Canada field service,  
contact your professional installer or  
local Bradford White sales representative.

**Sales/800-523-2931**  
**Fax/215-641-1670**  
**Parts Fax/215-641-2180**

**Technical Support/800-334-3393**  
**Fax/269-795-1089**

**Warranty/800-531-2111**  
**Fax/269-795-1089**

**International:**  
**Telephone/215-641-9400**  
**Telefax/215-641-9750**



# **BRADFORD WHITE-CANADA® INC.**

Mississauga, ON

**Sales/866-690-0961**  
**905-238-0100**

**Fax/905-238-0105**

**Technical Support/800-334-3393**

**Email**

**parts@bradfordwhite.com**  
**techserv@bradfordwhite.com**

**www.bradfordwhite.com**