



BRADFORD WHITE®

C O R P O R A T I O N

COMMERCIAL GAS ELECTRONIC IGNITION REPLACEMENT PARTS LIST

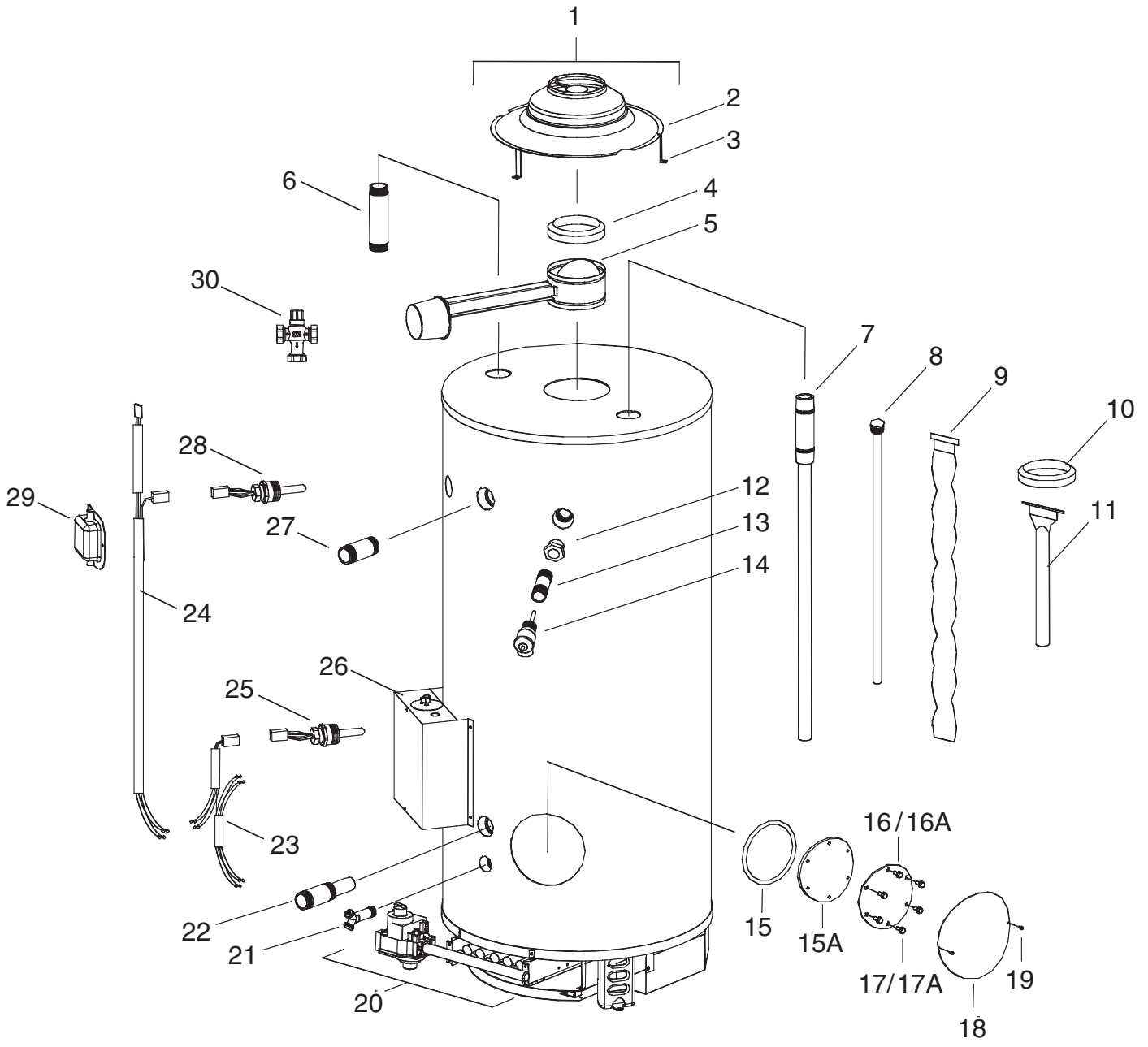


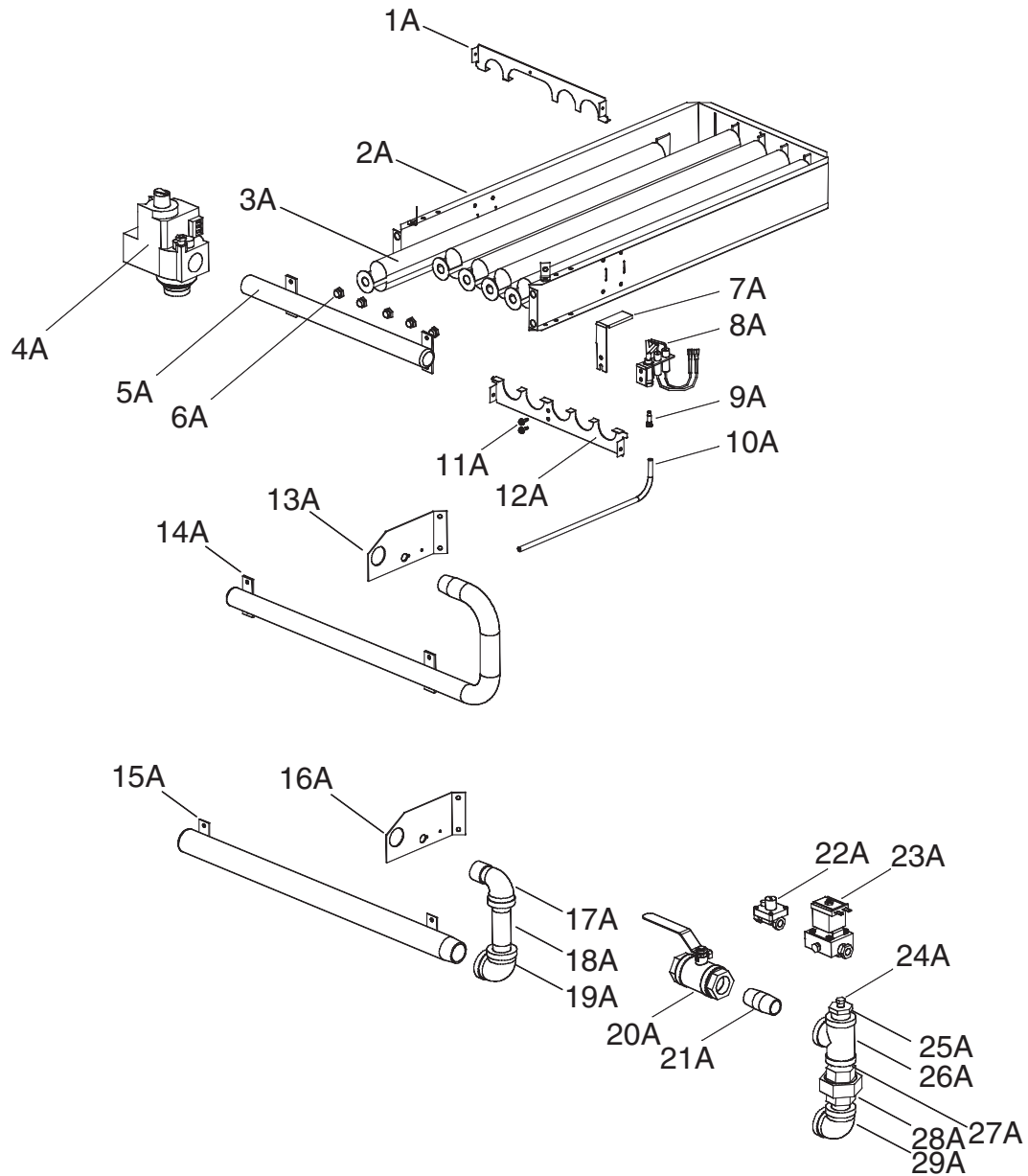
**Includes Hydrojet® Sediment
Reduction System**

***Effective: September, 2005
ECO 6840***

**NOTE: BOTH MODEL AND SERIAL
NUMBERS ARE REQUIRED FOR
ORDERING REPLACEMENT
PARTS**

Dimensions and specification subject to
change without notice.

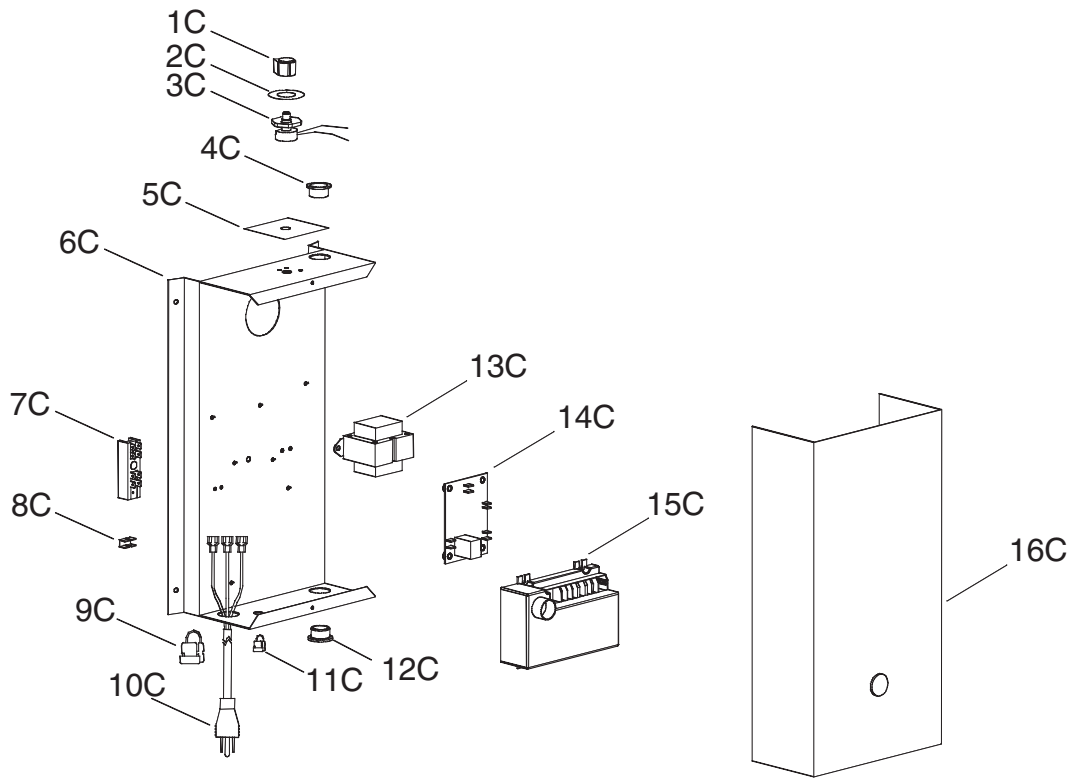




Parts Unique to Canada:

Manifold Parts Common to Natural Gas Canadian Models 400,000 BTU and Over

Reference Number and Description	Part Number
20A Ball Valve	233-38439-00
21A Close Nipple	239-81325-00
22A Pilot Regulator	233-81323-00
23A Pilot Solenoid	233-37788-00
24A 1/8" NPT Pipe Plug	239-81329-00
25A 1" x 1/8" Reducer Bushing	239-81328-00
26A 1" Pipe Tee	239-81327-00
27A Close Nipple	239-81325-00
28A 1" Pipe Union	239-81326-00
29A 1" Elbow	239-19637-00



Common Control Box Parts for All Models

Reference Number and Description	Part Number
1C Knob-Temperature Control	239-41710-00
2C Temperature Control Gasket	223-82047-00
3C Temperature Control (potentiometer) with Nut	233-82054-00
4C Snap Bushing	239-80406-00
5C Temperature Scale Plate	238-44588-00
6C Control Panel	239-44562-00
7C Terminal Block (Serials prior to BK)	239-80373-00
8C Ground Terminal	239-80112-00
9C Strain Relief Bushing	239-80372-00
10C Power Cord	239-80377-00
11C Strain Relief Bushing	239-44575-00
12C Snap Bushing	239-80406-00
13C Transformer	
Serials BK and After	233-44072-01
Serials Prior to BK	233-81579-01
15C Electronic Control Module (United Technologies)	233-42909-00
16C Control Box Cover	239-44563-00

Thermostat Board For D38T155(E)*(N,X) & D75T(125,150)*(N,X) Models

Reference Number and Description	Part Number
14C Thermostat Board Single Stat	233-41346-00

Thermostat Board For All Other Models

14C Thermostat Board Dual Stat	233-41347-00
--------------------------------	--------------

Optional Parts Reference Number and Description

15C Electronic Control Module (Honeywell)	233-81769-00
---	--------------

Parts Common To D38T155(E)*(N,X) Models

Reference Number and Description	Part Number
1 Draft Diverter Complete with leg Kit	265-46541-00
2 Draft Diverter Only	243-81733-00-01
3 Draft Diverter Leg Kit Only	243-43690-02
5 Flue Damper Complete w/Adaptor Harness	265-42973-00
8 Plug Type Anode Rod (Magnesium) (qty. 3)	224-32758-27
Plug Type Anode Rod (Aluminum)	224-38508-09
12 1" NPT x 3/4" NPT Reducer Bushing	239-02052-00
13 3/4" NPT Nipple	229-32762-04
14 T&P Valve	230-30246-00
15 Cleanout O-Ring Gasket	205-18427-00
16 Cleanout Cover	205-18428-00
17 Cleanout Cover Screw	239-82166-00
18 Cleanout Access Cover	243-20299-00
19 Cleanout Access Cover Screw	239-32761-00
21 Brass Drain Valve	227-42351-04
22 Cold Water inlet Nipple (Side)	229-44731-00
23 Harness Gas Valve & Sensor:	
Serials "BK" and after	239-44586-01
Serials Prior to "BK"	239-82035-01
24 Harness-Damper:	
Serials "BK" and after	239-44558-01
Serials Prior to "BK"	239-43115-01
25 Lower Thermostat Sensor/ECO	239-82034-00
26 Control Box Assembly Complete with Upper & Lower Harness	243-44567-01
27 Hot Water Outlet Nipple (Side)	229-40913-02

Common Burner Parts To D38T155(E)*(N,X) Models

Reference Number and Description	Part Number
1A Draft Panel	239-39419-00
2A Burner Rack Only	239-81969-01
3A Burner Tube:	
-Standard Burner	228-39177-00
-Lo NOx	228-42490-00
-Stainless Steel	228-81964-00
5A Burner Manifold	233-39170-00
7A Pilot Shield	239-41333-00
10A Aluminum Pilot Tube	233-80361-06
11A Pilot Mounting Screw	239-11706-00
12A Burner Support	239-45180-00

Parts Unique To D38T155(E)*N Models

Reference Number and Description	Part Number
9 Flue Baffle (Qty. 11)	243-81683-00
20 Assembly Burner Rack Natural Gas**	243-39205-18
Assembly Burner Rack Natural Gas (Lo Nox)** ▲	243-42563-05
4A Gas Valve (Nat)	222-80830-02
6A Main Burner Orifice (Nat) (normal altitude)	234-06016-73
2000ft to 5000ft (high altitude)	234-06016-42
5001ft to 8000ft (high altitude)	234-06016-43
8001ft & above (high altitude)	234-06016-44
8A Natural Gas Pilot Assembly	233-41323-01
9A Natural Gas Pilot Orifice	233-41606-01

Parts Unique To D38T155*X Models

Reference Number and Description	Part Number
9 Flue Baffle (Qty. 11)	243-81684-00
20 Assembly Burner Rack LP Gas**	243-39205-04
4A Gas Valve (LP)	222-80831-02
6A Main Burner Orifice (LP) (normal altitude)	234-06016-52
2000ft to 5000ft (high altitude)	234-06016-1/16
5001ft to 8000ft (high altitude)	234-06016-53
8001ft & above (high altitude)	234-06016-53
8A LP Gas Pilot Assembly	233-41323-02
9A LP Gas Pilot Orifice	233-41606-02

Optional Parts Reference Number and Description

8 Plug Type Anode Rod (Aluminum) (qty. 3)	224-38508-02
30 ASSE Approved Mixing Valve	239-43740-02
-Fields Power Vent Kit	239-81764-00
-NSF Leg Kit	265-44541-07
-LP to Natural Gas Conversion Kit	265-46033-01

* Applies to all warranties

** Ordering a complete burner assembly may increase delivery time. Please order the specific component for quickest delivery.

▲ Applies when "E" is present in model number (Example: D38T155E3N).

Parts Common To D75T125(E)*(N,X) Models

Reference Number and Description	Part Number
1 Draft Diverter Complete with leg Kit	265-46542-00
2 Draft Diverter Only	243-82000-01-01
3 Draft Diverter Leg Kit Only	243-43689-02
4 Flue Damper Reducer	239-81980-00
5 Flue Damper Complete w/Adaptor Harness & Reducer	265-43112-00
6 Hot Water Outlet Nipple	229-40913-01
7 Cold Water Inlet Dip Tube	229-43192-01
8 Plug Type Anode Rod (Magnesium) (qty. 2)	224-32758-15
Plug Type Anode Rod (Aluminum)	224-38508-03
10 Flue Reducer (qty. 2)	243-36920-00
11 Flue Core (qty. 2)	239-81476-00
13 3/4" NPT Nipple	239-32762-04
14 T&P Valve	230-30246-00
15 Cleanout O-Ring Gasket	205-18427-00
16 Cleanout Cover	205-18428-00
17 Cleanout Cover Screw	239-82166-00
18 Cleanout Access Cover	243-20299-00
19 Cleanout Access Cover Screw	239-32761-00
21 Brass Drain Valve	227-42351-04
22 Cold Water inlet Nipple (Side)	229-44731-00
23 Harness Gas Valve & Sensor: Serials "BK" and after	239-44587-02
Serials Prior to "BK"	239-82035-01
24 Harness-Damper: Serials "BK" and after	239-44558-02
Serials Prior to "BK"	239-43115-02
25 Lower Thermostat Sensor/ECO	239-82034-00
26 Control Box Assembly Complete with Upper & Lower Harness	243-44567-02
27 Hot Water Outlet Nipple (Side)	229-40913-02
29 Utility Cover	239-80281-03

Common Burner Parts To D75T125(E)*(N,X) Models

Reference Number and Description	Part Number
1A Draft Panel	239-39419-00
2A Burner Rack Only	239-82107-00
3A Burner Tube: -Standard Burner	228-39177-00
-Lo NOx	228-42490-00
-Stainless Steel	228-81964-00
5A Burner Manifold	233-39174-00
7A Pilot Shield	239-41333-00
10A Aluminum Pilot Tube	233-80361-06
11A Pilot Mounting Screw	239-11706-00
12A Burner Support	239-45180-00

Parts Unique To D75T125(E)*N Models

Reference Number and Description	Part Number
20 Assembly Burner Rack Natural Gas**	243-39334-01
Assembly Burner Rack Natural Gas (Lo Nox)** ▲	243-42559-01
4A Gas Valve (Nat)	222-80830-02
6A Main Burner Orifice (Nat) (normal altitude)	234-06016-33
2000ft to 5000ft (high altitude)	234-06016-36
5001ft to 8000ft (high altitude)	234-06016-38
8001ft & above (high altitude)	234-06016-39
8A Natural Gas Pilot Assembly	233-41323-01
9A Natural Gas Pilot Orifice	233-41606-01

Parts Unique To D75T125*X Models

Reference Number and Description	Part Number
20 Assembly Burner Rack LP Gas**	243-39334-02
4A Gas Valve (LP)	222-80831-02
6A Main Burner Orifice (LP) (normal altitude)	234-06016-48
2000ft to 5000ft (high altitude)	234-06016-50
5001ft to 8000ft (high altitude)	234-06016-51
8001ft & above (high altitude)	234-06016-51
8A LP Gas Pilot Assembly	233-41323-02
9A LP Gas Pilot Orifice	233-41606-02

Optional Parts Reference Number and Description

8 Plug Type Anode Rod (Aluminum) (qty. 2)	224-38508-03
30 ASSE Approved Mixing Valve	239-43740-02
-Fields Power Vent Kit	239-81764-00
-NSF Leg Kit	265-44541-07
-LP to Natural Gas Conversion Kit	265-46033-02

* Applies to all warranties

** Ordering a complete burner assembly may increase delivery time. Please order the specific component for quickest delivery.

▲ Applies when "E" is present in model number (Example: D38T155E3N).

Parts Common To D75T160(E)*(N,X) Models

Reference Number and Description	Part Number
1 Draft Diverter Complete with leg Kit	265-46543-00
2 Draft Diverter Only	243-81998-00-01
3 Draft Diverter Leg Kit Only	243-43690-06
4 Flue Damper Reducer	239-81980-00
5 Flue Damper Complete w/Adaptor Harness & Reducer	265-43112-00
6 Hot Water Outlet Nipple	229-40913-01
7 Cold Water Inlet Dip Tube	229-43192-01
8 Plug Type Anode Rod (Magnesium) (qty. 2)	224-32758-15
Plug Type Anode Rod (Aluminum)	224-38508-03
13 3/4" NPT Nipple	239-32762-04
14 T&P Valve	230-30246-00
15 Cleanout O-Ring Gasket	205-18427-00
16 Cleanout Cover	205-18428-00
17 Cleanout Cover Screw	239-82166-00
18 Cleanout Access Cover	243-20299-00
19 Cleanout Access Cover Screw	239-32761-00
21 Brass Drain Valve	227-42351-04
22 Cold Water inlet Nipple (Side)	229-44731-00
23 Harness Gas Valve & Sensor: Serials "BK" and after	239-44587-02
Serials Prior to "BK"	239-82035-01
24 Harness-Damper: Serials "BK" and after	239-44558-02
Serials Prior to "BK"	239-43115-02
25 Lower Thermostat Sensor/ECO	239-82034-00
26 Control Box Assembly Complete with Upper & Lower Harness	243-44567-02
27 Hot Water Outlet Nipple (Side)	229-40913-02
29 Utility Cover	239-80281-03

Common Burner Parts To D75T160(E)*(N,X) Models

Reference Number and Description	Part Number
1A Draft Panel	239-39419-00
2A Burner Rack Only	239-81969-01
3A Burner Tube: -Standard Burner	228-39177-00
-Lo NOx	228-42490-00
-Stainless Steel	228-81964-00
5A Burner Manifold	233-39170-00
7A Pilot Shield	239-41333-00
10A Aluminum Pilot Tube	233-80361-06
11A Pilot Mounting Screw	239-11706-00
12A Burner Support	239-45180-00

Parts Unique To D75T160(E)*N Models

Reference Number and Description	Part Number
20 Assembly Burner Rack Natural Gas**	243-39205-03
Assembly Burner Rack Natural Gas (Lo Nox)** ▲	243-42563-01
4A Gas Valve (Nat)	222-80830-02
6A Main Burner Orifice (Nat) (normal altitude)	234-06016-39
2000ft to 5000ft (high altitude)	234-06016-42
5001ft to 8000ft (high altitude)	234-06016-43
8001ft & above (high altitude)	234-06016-44
8A Natural Gas Pilot Assembly	233-41323-01
9A Natural Gas Pilot Orifice	233-41606-01

Parts Unique To D75T160*X Models

Reference Number and Description	Part Number
20 Assembly Burner Rack LP Gas**	243-39205-04
4A Gas Valve (LP)	222-80831-02
6A Main Burner Orifice (LP) (normal altitude)	234-06016-52
2000ft to 5000ft (high altitude)	234-06016-1/16
5001ft to 8000ft (high altitude)	234-06016-53
8001ft & above (high altitude)	234-06016-53
8A LP Gas Pilot Assembly	233-41323-02
9A LP Gas Pilot Orifice	233-41606-02

Optional Parts Reference Number and Description

8 Plug Type Anode Rod (Aluminum) (qty. 2)	224-38508-03
30 ASSE Approved Mixing Valve	239-43740-02
-Fields Power Vent Kit	239-81764-00
-NSF Leg Kit	265-44541-07
-LP to Natural Gas Conversion Kit	265-46033-03

* Applies to all warranties

** Ordering a complete burner assembly may increase delivery time. Please order the specific component for quickest delivery.

▲ Applies when "E" is present in model number (Example: D38T155E3N).

Parts Common To D80T180(E)*(N,X) Models

Reference Number and Description	Part Number
1 Draft Diverter Complete with leg Kit	265-46544-00
2 Draft Diverter Only	243-81986-00-01
3 Draft Diverter Leg Kit Only	243-43690-02
5 Flue Damper Complete w/Adaptor Harness	265-42973-00
6 Hot Water Outlet Nipple	229-40913-01
7 Cold Water Inlet Dip Tube	229-43192-03
8 Plug Type Anode Rod (Magnesium) (qty. 2)	224-32758-29
Plug Type Anode Rod (Aluminum)	224-38508-01
9 Flue Baffle (Qty. 8)	243-81563-00
12 1" NPT x 3/4 NPT Reducer Bushing	239-02052-00
13 3/4" NPT Nipple	229-32762-04
14 T&P Valve	230-30246-00
15 Cleanout O-Ring Gasket	205-18427-00
16 Cleanout Cover	205-18428-00
17 Cleanout Cover Screw	239-82166-00
18 Cleanout Access Cover	243-20299-00
19 Cleanout Access Cover Screw	239-32761-00
21 Brass Drain Valve	227-42351-04
22 Cold Water inlet Nipple (Side)	229-44731-00
23 Harness Gas Valve & Lower Sensor:	
Serials "BK" and after	239-44561-01
Serials Prior to "BK"	239-82035-01
24 Harness Upper Sensor & Damper:	
Serials "BK" and after	239-44559-04
Serials Prior to "BK"	239-43116-01
25 Lower Thermostat Sensor/ECO	239-82034-00
26 Control Box Assembly Complete with Upper & Lower Harness	243-44570-03
27 Hot Water Outlet Nipple (Side)	229-40913-02
28 Upper Thermostat Sensor	239-82033-00
29 Utility Cover	239-80281-03

Common Burner Parts To D80T180(E)*(N,X) Models

Reference Number and Description	Part Number
1A Draft Panel	239-39419-00
2A Burner Rack Only	239-81969-01
3A Burner Tube:	
-Standard Burner	228-39177-00
-Lo NOx	228-42490-00
-Stainless Steel	228-81964-00
5A Burner Manifold	233-39170-00
7A Pilot Shield	239-41333-00
10A Aluminum Pilot Tube	233-80361-06
11A Pilot Mounting Screw	239-11706-00
12A Burner Support	239-45180-00

Parts Unique To D80T180(E)*N Models

Reference Number and Description	Part Number
20 Assembly Burner Rack Natural Gas**	243-39205-07
Assembly Burner Rack Natural Gas (Lo Nox)** ▲	243-42563-03
4A Gas Valve (Nat)	222-80830-02
6A Main Burner Orifice (Nat) (normal altitude)	234-06016-37
2000ft to 5000ft (high altitude)	234-06016-39
5001ft to 8000ft (high altitude)	234-06016-42
8001ft & above (high altitude)	234-06016-42
8A Natural Gas Pilot Assembly	233-41323-01
9A Natural Gas Pilot Orifice	233-41606-01

Parts Unique To D80T180*X Models

Reference Number and Description	Part Number
20 Assembly Burner Rack LP Gas**	243-39205-08
4A Gas Valve (LP)	222-80831-02
6A Main Burner Orifice (LP) (normal altitude)	234-06016-50
2000ft to 5000ft (high altitude)	234-06016-51
5001ft to 8000ft (high altitude)	234-06016-1/16
8001ft & above (high altitude)	234-06016-1/16
8A LP Gas Pilot Assembly	233-41323-02
9A LP Gas Pilot Orifice	233-41606-02

Optional Parts Reference Number and Description

8 Plug Type Anode Rod (Aluminum) (qty. 2)	224-38508-01
30 ASSE Approved Mixing Valve	239-43740-02
-Fields Power Vent Kit	239-81764-00
-NSF Leg Kit	265-44541-07
-LP to Natural Gas Conversion Kit	265-46033-05

* Applies to all warranties

** Ordering a complete burner assembly may increase delivery time. Please order the specific component for quickest delivery.

▲ Applies when "E" is present in model number (Example: D38T155E3N).

Parts Common To D80T199(E)*(N,X) Models

Reference Number and Description	Part Number
1 Draft Diverter Complete with leg Kit	265-46544-00
2 Draft Diverter Only	243-81986-00-01
3 Draft Diverter Leg Kit Only	243-43690-02
5 Flue Damper Complete w/Adaptor Harness	265-42973-00
6 Hot Water Outlet Nipple	229-40913-01
7 Cold Water Inlet Dip Tube	229-43192-03
8 Plug Type Anode Rod (Magnesium) (qty. 2)	224-32758-29
Plug Type Anode Rod (Aluminum)	224-38508-01
9 Flue Baffle (Qty. 8)	243-82118-00
12 1" NPT x 3/4 NPT Reducer Bushing	239-02052-00
13 3/4" NPT Nipple	229-32762-04
14 T&P Valve	230-30246-00
15 Cleanout O-Ring Gasket	205-18427-00
16 Cleanout Cover	205-18428-00
17 Cleanout Cover Screw	239-82166-00
18 Cleanout Access Cover	243-20299-00
19 Cleanout Access Cover Screw	239-32761-00
21 Brass Drain Valve	227-42351-04
22 Cold Water inlet Nipple (Side)	229-44731-00
23 Harness Gas Valve & Lower Sensor:	
Serials "BK" and after	239-44561-01
Serials Prior to "BK"	239-82035-01
24 Harness Upper Sensor & Damper:	
Serials "BK" and after	239-44559-04
Serials Prior to "BK"	239-43116-01
25 Lower Thermostat Sensor/ECO	239-82034-00
26 Control Box Assembly Complete with Upper & Lower Harness	243-44570-03
27 Hot Water Outlet Nipple (Side)	229-40913-02
28 Upper Thermostat Sensor	239-82033-00
29 Utility Cover	239-80281-03

Common Burner Parts To D80T199(E)*(N,X) Models

Reference Number and Description	Part Number
1A Draft Panel	239-39419-00
2A Burner Rack Only	239-81969-01
3A Burner Tube:	
-Standard Burner	228-39177-00
-Lo NOx	228-42490-00
-Stainless Steel	228-81964-00
5A Burner Manifold	233-39170-00
7A Pilot Shield	239-41333-00
10A Aluminum Pilot Tube	233-80361-06
11A Pilot Mounting Screw	239-11706-00
12A Burner Support	239-45180-00

Parts Unique To D80T199(E)*N Models

Reference Number and Description	Part Number
20 Assembly Burner Rack Natural Gas**	243-39205-05
Assembly Burner Rack Natural Gas (Lo Nox)** ▲	243-42563-02
4A Gas Valve (Nat)	222-80830-02
6A Main Burner Orifice (Nat) (normal altitude)	234-06016-35
2000ft to 5000ft (high altitude)	234-06016-37
5001ft to 8000ft (high altitude)	234-06016-39
8001ft & above (high altitude)	234-06016-40
8A Natural Gas Pilot Assembly	233-41323-01
9A Natural Gas Pilot Orifice	233-41606-01

Parts Unique To D80T199*X Models

Reference Number and Description	Part Number
20 Assembly Burner Rack LP Gas**	243-39205-06
4A Gas Valve (LP)	222-80831-02
6A Main Burner Orifice (LP) (normal altitude)	234-06016-49
2000ft to 5000ft (high altitude)	234-06016-50
5001ft to 8000ft (high altitude)	234-06016-51
8001ft & above (high altitude)	234-06016-52
8A LP Gas Pilot Assembly	233-41323-02
9A LP Gas Pilot Orifice	233-41606-02

Optional Parts Reference Number and Description

Reference Number and Description	Part Number
8 Plug Type Anode Rod (Aluminum) (qty. 2)	224-38508-01
30 ASSE Approved Mixing Valve	239-43740-02
-Fields Power Vent Kit	239-81764-00
-NSF Leg Kit	265-44541-07
-LP to Natural Gas Conversion Kit	265-46033-06

* Applies to all warranties

** Ordering a complete burner assembly may increase delivery time. Please order the specific component for quickest delivery.

▲ Applies when "E" is present in model number (Example: D38T155E3N).

Parts Common To D80T250(E)*(N,X)(A) Models

Reference Number and Description	Part Number
1 Draft Diverter Complete with leg Kit	265-46544-00
2 Draft Diverter Only	243-81986-00-01
3 Draft Diverter Leg Kit Only	243-43690-02
5 Flue Damper Complete w/Adaptor Harness	265-42973-00
6 Hot Water Outlet Nipple	229-40913-01
7 Cold Water Inlet Dip Tube	229-43192-03
8 Plug Type Anode Rod (Magnesium) (qty. 2)	224-32758-29
Plug Type Anode Rod (Aluminum)	224-38508-01
9 Flue Baffle (Qty. 8)	243-82117-00
13 1" NPT Nipple	229-32762-19
14 T&P Valve	230-33630-04
15 Cleanout O-Ring Gasket	205-18427-00
15A Cleanout Gasket (ASME)	205-32942-00
16 Cleanout Cover	205-18428-00
16A Cleanout Cover (ASME)	205-32941-00
17 Cleanout Cover Screw	239-82166-00
17A Cleanout Cover Screw (ASME)	239-32970-00
18 Cleanout Access Cover	243-20299-00
19 Cleanout Access Cover Screw	239-32761-00
21 Brass Drain Valve	227-42351-04
22 Cold Water inlet Nipple (Side)	229-44731-00
23 Harness Gas Valve & Lower Sensor: Serials "BK" and after	239-44561-01
Serials Prior to "BK"	239-82035-01
24 Harness Upper Sensor & Damper: Serials "BK" and after	239-44559-04
Serials Prior to "BK"	239-43116-01
25 Lower Thermostat Sensor/ECO	239-82034-00
26 Control Box Assembly Complete with Upper & Lower Harness	243-44570-03
27 Hot Water Outlet Nipple (Side)	229-40913-02
28 Upper Thermostat Sensor	239-82033-00
29 Utility Cover	239-80281-03

Common Burner Parts To D80T250(E)*(N,X)(A) Models

Reference Number and Description	Part Number
1A Draft Panel	239-39420-00
2A Burner Rack Only	239-81969-02
3A Burner Tube: -Standard Burner	228-39177-00
-Lo NOx	228-42490-00
-Stainless Steel	228-81964-00
5A Burner Manifold	233-81725-00
7A Pilot Shield	239-41333-00
10A Aluminum Pilot Tube	233-80361-01
11A Pilot Mounting Screw	239-11706-00
12A Burner Support	239-45181-00

Parts Unique To D80T250(E)*N(A) Models

Reference Number and Description	Part Number
20 Assembly Burner Rack Natural Gas**	243-81743-03
Assembly Burner Rack Natural Gas (Lo Nox)** ▲	243-42563-02
4A Gas Valve (Nat)	222-80830-02
6A Main Burner Orifice (Nat) (normal altitude)	234-06016-37
2000ft to 5000ft (high altitude)	234-06016-40
5001ft to 8000ft (high altitude)	234-06016-42
8001ft & above (high altitude)	234-06016-42
8A Natural Gas Pilot Assembly	233-41323-01
9A Natural Gas Pilot Orifice	233-41606-01

Parts Unique To D80T199*X(A) Models

Reference Number and Description	Part Number
20 Assembly Burner Rack LP Gas**	243-81743-06
4A Gas Valve (LP)	222-80831-02
6A Main Burner Orifice (LP) (normal altitude)	234-06016-50
2000ft to 5000ft (high altitude)	234-06016-52
5001ft to 8000ft (high altitude)	234-06016-1/16
8001ft & above (high altitude)	234-06016-53
8A LP Gas Pilot Assembly	233-41323-02
9A LP Gas Pilot Orifice	233-41606-02

Optional Parts Reference Number and Description

8 Plug Type Anode Rod (Aluminum) (qty. 2)	224-38508-01
30 ASSE Approved Mixing Valve	239-43740-02
-Fields Power Vent Kit	239-81764-00
-NSF Leg Kit	265-44541-07
-LP to Natural Gas Conversion Kit	265-46033-07

* Applies to all warranties

** Ordering a complete burner assembly may increase delivery time. Please order the specific component for quickest delivery.

▲ Applies when "E" is present in model number (Example: D38T155E3N).

Parts Common To D75T300(E)*(N,X)(A) Models

Reference Number and Description	Part Number
1 Draft Diverter Complete with leg Kit	265-46545-00
2 Draft Diverter Only	243-81502-00-01
3 Draft Diverter Leg Kit Only	243-43690-04
5 Flue Damper Complete w/Adaptor Harness	265-42974-00
8 Plug Type Anode Rod (Magnesium) (qty. 3)	224-32758-15
Plug Type Anode Rod (Aluminum)	224-38508-03
9 Flue Baffle (Qty. 11)	243-82076-00
13 1" NPT Nipple	229-32762-19
14 T&P Valve	230-33630-04
15 Cleanout O-Ring Gasket	205-18427-00
15A Cleanout Gasket (ASME)	205-32942-00
16 Cleanout Cover	205-18428-00
16A Cleanout Cover (ASME)	205-32941-00
17 Cleanout Cover Screw	239-82166-00
17A Cleanout Cover Screw (ASME)	239-32970-00
18 Cleanout Access Cover	243-20299-00
19 Cleanout Access Cover Screw	239-32761-00
21 Brass Drain Valve	227-42351-04
22 Cold Water inlet Nipple (Side)	229-44731-00
23 Harness Gas Valve & Lower Sensor: Serials "BK" and after	239-44587-01
Serials Prior to "BK"	239-82035-01
24 Harness Upper Sensor & Damper: Serials "BK" and after	239-44559-02
Serials Prior to "BK"	239-43116-01
25 Lower Thermostat Sensor/ECO	239-82034-00
26 Control Box Assembly Complete with Upper & Lower Harness	243-44570-01
27 Hot Water Outlet Nipple (Side)	229-40913-02
28 Upper Thermostat Sensor	239-82033-00
29 Utility Cover	239-80281-03

Common Burner Parts To D75T300(E)*(N,X)(A) Models

Reference Number and Description	Part Number
1A Draft Panel	239-39420-00
2A Burner Rack Only	239-81969-02
3A Burner Tube: -Standard Burner	228-39177-00
-Lo NOx	228-42490-00
-Stainless Steel	228-81964-00
13A Manifold Support Bracket	239-81816-03
14A Burner Manifold	233-39172-00
7A Pilot Shield	239-41333-00
10A Aluminum Pilot Tube	233-80361-01
11A Pilot Mounting Screw	239-11706-00
12A Burner Support	239-45181-00

Parts Unique To D75T300(E)*N(A) Models

Reference Number and Description	Part Number
20 Assembly Burner Rack Natural Gas**	243-39343-01
Assembly Burner Rack Natural Gas (Lo Nox)** ▲	243-42560-01
4A Gas Valve (Nat)	222-80830-02
6A Main Burner Orifice (Nat) (normal altitude)	234-06016-32
2000ft to 5000ft (high altitude)	234-06016-36
5001ft to 8000ft (high altitude)	234-06016-37
8001ft & above (high altitude)	234-06016-38
8A Natural Gas Pilot Assembly	233-41323-01
9A Natural Gas Pilot Orifice	233-41606-01

Parts Unique To D75T300*X(A) Models

Reference Number and Description	Part Number
20 Assembly Burner Rack LP Gas**	243-39343-02
4A Gas Valve (LP)	222-80831-02
6A Main Burner Orifice (LP) (normal altitude)	234-06016-48
2000ft to 5000ft (high altitude)	234-06016-50
5001ft to 8000ft (high altitude)	234-06016-51
8001ft & above (high altitude)	234-06016-51
8A LP Gas Pilot Assembly	233-41323-02
9A LP Gas Pilot Orifice	233-41606-02

Optional Parts Reference Number and Description

8 Plug Type Anode Rod (Aluminum) (qty. 3)	224-38508-01
30 ASSE Approved Mixing Valve	239-43740-02
-Fields Power Vent Kit	239-81766-00
-NSF Leg Kit	265-44541-07
-LP to Natural Gas Conversion Kit	265-46033-04

* Applies to all warranties

** Ordering a complete burner assembly may increase delivery time. Please order the specific component for quickest delivery.

▲ Applies when "E" is present in model number (Example: D38T155E3N).

Parts Common To D65T370(E)*(N,X)(A) Models

Reference Number and Description	Part Number
1 Draft Diverter Complete with leg Kit	265-46546-00
2 Draft Diverter Only	243-81992-00-01
3 Draft Diverter Leg Kit Only	243-43691-04
5 Flue Damper Complete w/Adaptor Harness	265-42974-00
8 Plug Type Anode Rod (Magnesium) (qty. 3)	224-32758-29
Plug Type Anode Rod (Aluminum)	224-38508-01
9 Flue Baffle (Qty. 16)	243-39327-00
13 1" NPT Nipple	229-32762-19
14 T&P Valve	230-33630-04
15 Cleanout O-Ring Gasket	205-18427-00
15A Cleanout Gasket (ASME)	205-32942-00
16 Cleanout Cover	205-18428-00
16A Cleanout Cover (ASME)	205-32941-00
17 Cleanout Cover Screw	239-82166-00
17A Cleanout Cover Screw (ASME)	239-32970-00
18 Cleanout Access Cover	243-20299-00
19 Cleanout Access Cover Screw	239-32761-00
21 Brass Drain Valve	227-42351-04
22 Cold Water inlet Nipple (Side)	229-44731-00
23 Harness Gas Valve & Lower Sensor:	
Serials "BK" and after	239-44587-01
Serials Prior to "BK"	239-82035-01
24 Harness Upper Sensor & Damper:	
Serials "BK" and after	239-44559-02
Serials Prior to "BK"	239-43116-01
25 Lower Thermostat Sensor/ECO	239-82034-00
26 Control Box Assembly Complete with Upper & Lower Harness	243-44570-01
27 Hot Water Outlet Nipple (Side)	229-40913-02
28 Upper Thermostat Sensor	239-82033-00
29 Utility Cover	239-80281-03

Common Burner Parts To D65T370(E)*(N,X)(A) Models

Reference Number and Description	Part Number
1A Draft Panel	239-39421-00
2A Burner Rack Only	239-81969-03
3A Burner Tube:	
-Standard Burner	228-39177-00
-Lo NOx	228-42490-00
-Stainless Steel	228-81964-00
7A Pilot Shield	239-41333-00
10A Aluminum Pilot Tube	233-80361-01
11A Pilot Mounting Screw	239-11706-00
12A Burner Support	239-39259-00

Parts Unique To D65T370(E)*N(A) Models

Reference Number and Description	Part Number
20 Assembly Burner Rack Natural Gas**	243-39322-01
Assembly Burner Rack Natural Gas (Lo Nox)** ▲	243-42558-01
4A Gas Valve (Nat)	222-81608-03
6A Main Burner Orifice (Nat) (normal altitude)	234-06016-33
2000ft to 5000ft (high altitude)	234-06016-36
5001ft to 8000ft (high altitude)	234-06016-38
8001ft & above (high altitude)	234-06016-39
8A Natural Gas Pilot Assembly	233-41323-01
9A Natural Gas Pilot Orifice	233-41606-01
15A Burner Manifold	233-39171-00
16A Manifold Support Bracket	239-81816-01
17A 90° Street Elbow	239-19636-00
18A Nipple 1" NPT x 3-1/2	239-81595-00
19A 90° elbow	239-19637-00

Parts Unique To D65T370*X(A) Models

Reference Number and Description	Part Number
20 Assembly Burner Rack LP Gas**	243-39322-02
4A Gas Valve (LP)	222-80831-02
6A Main Burner Orifice (LP) (normal altitude)	234-06016-49
2000ft to 5000ft (high altitude)	234-06016-50
5001ft to 8000ft (high altitude)	234-06016-51
8001ft & above (high altitude)	234-06016-51
8A LP Gas Pilot Assembly	233-41323-02
9A LP Gas Pilot Orifice	233-41606-02
13A Manifold Support Bracket	239-81816-02
14A Burner Manifold	233-39173-00

Optional Parts Reference Number and Description

Reference Number and Description	Part Number
8 Plug Type Anode Rod (Aluminum) (qty. 3)	224-38508-01
30 ASSE Approved Mixing Valve	239-43740-02
-Fields Power Vent Kit	239-81766-00
-NSF Leg Kit	265-44541-07
-LP to Natural Gas Conversion Kit	265-46034-01

* Applies to all warranties

** Ordering a complete burner assembly may increase delivery time. Please order the specific component for quickest delivery.

▲ Applies when "E" is present in model number (Example: D38T155E3N).

Parts Common To D65T399(E)*N(A) Models

Reference Number and Description	Part Number
1 Draft Diverter Complete with leg Kit	265-46546-00
2 Draft Diverter Only	243-81992-00-01
3 Draft Diverter Leg Kit Only	243-43691-04
5 Flue Damper Complete w/Adaptor Harness	265-42974-00
8 Plug Type Anode Rod (Magnesium) (qty. 3)	224-32758-29
Plug Type Anode Rod (Aluminum)	224-38508-01
9 Flue Baffle (Qty. 16)	243-82076-00
13 1" NPT Nipple	229-32762-19
14 T&P Valve	230-33630-04
15 Cleanout O-Ring Gasket	205-18427-00
15A Cleanout Gasket (ASME)	205-32942-00
16 Cleanout Cover	205-18428-00
16A Cleanout Cover (ASME)	205-32941-00
17 Cleanout Cover Screw	239-82166-00
17A Cleanout Cover Screw (ASME)	239-32970-00
18 Cleanout Access Cover	243-20299-00
19 Cleanout Access Cover Screw	239-32761-00
21 Brass Drain Valve	227-42351-04
22 Cold Water inlet Nipple (Side)	229-44731-00
23 Harness Gas Valve & Lower Sensor:	
Serials "BK" and after	239-44587-01
Serials Prior to "BK"	239-82035-01
24 Harness Upper Sensor & Damper:	
Serials "BK" and after	239-44559-02
Serials Prior to "BK"	239-43116-01
25 Lower Thermostat Sensor/ECO	239-82034-00
26 Control Box Assembly Complete with Upper & Lower Harness	243-44570-01
27 Hot Water Outlet Nipple (Side)	229-40913-02
28 Upper Thermostat Sensor	239-82033-00
29 Utility Cover	239-80281-03

Common Burner Parts To D65T399(E)*N(A) Models

Reference Number and Description	Part Number
20 Assembly Burner Rack Natural Gas**	243-39322-03
Assembly Burner Rack Natural Gas (Lo Nox)** ▲	243-42558-02
1A Draft Panel	239-39421-00
2A Burner Rack Only	239-81969-03
3A Burner Tube:	
-Standard Burner	228-39177-00
-Lo NOx	228-42490-00
-Stainless Steel	228-81964-00
4A Gas Valve (Nat)	222-81608-03
6A Main Burner Orifice (Nat) (normal altitude)	234-06016-32
2000ft to 5000ft (high altitude)	234-06016-35
5001ft to 8000ft (high altitude)	234-06016-37
8001ft & above (high altitude)	234-06016-38
7A Pilot Shield	239-41333-00
8A Natural Gas Pilot Assembly	233-41323-01
9A Natural Gas Pilot Orifice	233-41606-01
10A Aluminum Pilot Tube	233-80361-01
11A Pilot Mounting Screw	239-11706-00
12A Burner Support	239-39259-00
15A Burner Manifold	233-39171-00
16A Manifold Support Bracket	239-81816-01
17A 90° Street Elbow	239-19636-00
18A Nipple 1" NPT x 3-1/2	239-81595-00
19A 90° elbow	239-19637-00

Optional Parts Reference Number and Description

8 Plug Type Anode Rod (Aluminum) (qty. 3)	224-38508-01
30 ASSE Approved Mixing Valve	239-43740-02
- Fields Power Vent Kit	239-81766-00
- NSF Leg Kit	265-44541-07

* Applies to all warranties

** Ordering a complete burner assembly may increase delivery time. Please order the specific component for quickest delivery.

▲ Applies when "E" is present in model number (Example: D38T155E3N).

Parts Common To D80T425*(N,X)(A) Models

Reference Number and Description	Part Number
1 Draft Diverter Complete with leg Kit	265-46547-00
2 Draft Diverter Only	243-82005-02-01
3 Draft Diverter Leg Kit Only	243-43690-01
5 Flue Damper Complete w/Adaptor Harness	265-42975-00
8 Plug Type Anode Rod (Magnesium) (qty. 3)	224-32758-30
Plug Type Anode Rod (Aluminum)	224-38508-07
9 Flue Baffle (Qty. 16)	243-39327-00
13 1" NPT Nipple	229-32762-19
14 T&P Valve	230-33630-04
15 Cleanout O-Ring Gasket	205-18427-00
15A Cleanout Gasket (ASME)	205-32942-00
16 Cleanout Cover	205-18428-00
16A Cleanout Cover (ASME)	205-32941-00
17 Cleanout Cover Screw	239-82166-00
17A Cleanout Cover Screw (ASME)	239-32970-00
18 Cleanout Access Cover	243-20299-00
19 Cleanout Access Cover Screw	239-32761-00
21 Brass Drain Valve	227-42351-04
22 Cold Water inlet Nipple (Side)	229-44731-00
23 Harness Gas Valve & Lower Sensor: Serials "BK" and after	239-44587-03
Serials Prior to "BK"	239-82035-02
24 Harness Upper Sensor & Damper: Serials "BK" and after	239-44559-04
Serials Prior to "BK"	239-43116-01
25 Lower Thermostat Sensor/ECO	239-82034-00
26 Control Box Assembly Complete with Upper & Lower Harness	243-44570-06
27 Hot Water Outlet Nipple (Side)	229-40913-02
28 Upper Thermostat Sensor	239-82033-00
29 Utility Cover	239-80281-03

Common Burner Parts To D80T425*(N,X)(A) Models

Reference Number and Description	Part Number
1A Draft Panel	239-39421-00
2A Burner Rack Only	239-81969-03
3A Burner Tube: -Standard Burner	228-39177-00
-Lo NOx	228-42490-00
-Stainless Steel	228-81964-00
7A Pilot Shield	239-41333-00
10A Aluminum Pilot Tube 11A Pilot Mounting Screw	233-80361-01 239-11706-00
12A Burner Support	239-39259-00

Parts Unique To D80T425*N(A) Models

Reference Number and Description	Part Number
20 Assembly Burner Rack Natural Gas**	243-39322-05
4A Gas Valve (Nat)	222-81608-03
6A Main Burner Orifice (Nat) (normal altitude)	234-06016-31
2000ft to 5000ft (high altitude)	234-06016-33
5001ft to 8000ft (high altitude)	234-06016-36
8001ft & above (high altitude)	234-06016-36
8A Natural Gas Pilot Assembly	233-41323-01
9A Natural Gas Pilot Orifice	233-41606-01
15A Burner Manifold	233-39171-00
16A Manifold Support Bracket	239-81816-01
17A 90° Street Elbow	239-19636-00
18A Nipple 1" NPT x 3-1/2	239-81595-00
19A 90° elbow	239-19637-00

Parts Unique To D80T425*X(A) Models

Reference Number and Description	Part Number
20 Assembly Burner Rack LP Gas**	243-39322-06
4A Gas Valve (LP)	222-80831-02
6A Main Burner Orifice (LP) (normal altitude)	234-06016-46
2000ft to 5000ft (high altitude)	234-06016-48
5001ft to 8000ft (high altitude)	234-06016-49
8001ft & above (high altitude)	234-06016-50
8A LP Gas Pilot Assembly	233-41323-02
9A LP Gas Pilot Orifice	233-41606-02
13A Manifold Support Bracket	239-81816-02
14A Burner Manifold	233-39173-00

Optional Parts Reference Number and Description

8 Plug Type Anode Rod (Aluminum) (qty. 3)	224-38508-07
30 ASSE Approved Mixing Valve	239-43740-02
-Fields Power Vent Kit	239-82148-00
-NSF Leg Kit	265-44541-07
-LP to Natural Gas Conversion Kit	265-46034-03

* Applies to all warranties

** Ordering a complete burner assembly may increase delivery time. Please order the specific component for quickest delivery.

Parts Common To D80T505*(N,X)(A) Models

Reference Number and Description	Part Number
1 Draft Diverter Complete with leg Kit	265-46547-00
2 Draft Diverter Only	243-82005-02-01
3 Draft Diverter Leg Kit Only	243-43690-01
5 Flue Damper Complete w/Adaptor Harness	265-42975-00
8 Plug Type Anode Rod (Magnesium) (qty. 3)	224-32758-30
Plug Type Anode Rod (Aluminum)	224-38508-07
9 Flue Baffle (Qty. 16)	243-81501-00
13 1" NPT Nipple	229-32762-19
14 T&P Valve	230-33630-04
15 Cleanout O-Ring Gasket	205-18427-00
15A Cleanout Gasket (ASME)	205-32942-00
16 Cleanout Cover	205-18428-00
16A Cleanout Cover (ASME)	205-32941-00
17 Cleanout Cover Screw	239-82166-00
17A Cleanout Cover Screw (ASME)	239-32970-00
18 Cleanout Access Cover	243-20299-00
19 Cleanout Access Cover Screw	239-32761-00
21 Brass Drain Valve	227-42351-04
22 Cold Water inlet Nipple (Side)	229-44731-00
23 Harness Gas Valve & Lower Sensor: Serials "BK" and after	239-44587-03
Serials Prior to "BK"	239-82035-02
24 Harness Upper Sensor & Damper: Serials "BK" and after	239-44559-04
Serials Prior to "BK"	239-43116-01
25 Lower Thermostat Sensor/ECO	239-82034-00
26 Control Box Assembly Complete with Upper & Lower Harness	243-44570-06
27 Hot Water Outlet Nipple (Side)	229-40913-02
28 Upper Thermostat Sensor	239-82033-00
29 Utility Cover	239-80281-03

Common Burner Parts To D80T505*(N,X)(A) Models

Reference Number and Description	Part Number
1A Draft Panel	239-39421-00
2A Burner Rack Only	239-81969-03
3A Burner Tube: -Standard Burner	228-39177-00
-Lo NOx	228-42490-00
-Stainless Steel	228-81964-00
7A Pilot Shield	239-41333-00
10A Aluminum Pilot Tube	233-80361-01
11A Pilot Mounting Screw	239-11706-00
12A Burner Support	239-39259-00

Parts Unique To D80T505*N(A) Models

Reference Number and Description	Part Number
20 Assembly Burner Rack Natural Gas**	243-39322-13
4A Gas Valve (Nat)	222-81608-03
6A Main Burner Orifice (Nat) (normal altitude)	234-06016-30
2000ft to 5000ft (high altitude)	234-06016-1/8
5001ft to 8000ft (high altitude)	234-06016-32
8001ft & above (high altitude)	234-06016-32
8A Natural Gas Pilot Assembly	233-41323-01
9A Natural Gas Pilot Orifice	233-41606-01
15A Burner Manifold	233-39171-00
16A Manifold Support Bracket	239-81816-01
17A 90° Street Elbow	239-19636-00
18A Nipple 1" NPT x 3-1/2"	239-81595-00
19A 90° elbow	239-19637-00

Parts Unique To D80T505*X(A) Models

Reference Number and Description	Part Number
20 Assembly Burner Rack LP Gas**	243-39322-14
4A Gas Valve (LP)	222-81608-01
6A Main Burner Orifice (LP) (normal altitude)	234-06016-45
2000ft to 5000ft (high altitude)	234-06016-46
5001ft to 8000ft (high altitude)	234-06016-47
8001ft & above (high altitude)	234-06016-48
8A LP Gas Pilot Assembly	233-41323-02
9A LP Gas Pilot Orifice	233-41606-02
13A Manifold Support Bracket	239-81816-02
14A Burner Manifold	233-39173-00

Optional Parts Reference Number and Description

8 Plug Type Anode Rod (Aluminum) (qty. 3)	224-38508-07
30 ASSE Approved Mixing Valve	239-43740-02
-Fields Power Vent Kit	239-82148-00
-NSF Leg Kit	265-44541-07
-LP to Natural Gas Conversion Kit	265-46034-04

* Applies to all warranties

** Ordering a complete burner assembly may increase delivery time. Please order the specific component for quickest delivery.

Parts Common To D100S199(E)*(N,X) Models

Reference Number and Description	Part Number
1 Draft Diverter Complete with leg Kit	265-46548-00
2 Draft Diverter Only	243-81733-00-01
3 Draft Diverter Leg Kit Only	243-43690-09
4 Flue Damper Reducer	239-81811-00
5 Flue Damper Complete w/Adaptor Harness	265-43113-00
6 Hot Water Outlet Nipple	229-40913-01
7 Cold Water Inlet Dip Tube	229-43192-01
8 Plug Type Anode Rod (Magnesium) (qty. 4)	224-32758-15
Plug Type Anode Rod (Aluminum)	224-38508-03
9 Flue Baffle (Qty. 9)	243-81735-00
12 1" NPT x 3/4 NPT Reducer Bushing	239-02052-00
13 3/4 NPT Nipple	229-81075-00
14 T&P Valve	230-30246-00
15 Cleanout O-Ring Gasket	205-18427-00
16 Cleanout Cover	205-18428-00
17 Cleanout Cover Screw	239-82166-00
18 Cleanout Access Cover	243-20299-00
19 Cleanout Access Cover Screw	239-32761-00
21 Brass Drain Valve	227-42351-01
22 Cold Water inlet Nipple (Side)	229-44731-00
23 Harness Gas Valve & Lower Sensor:	
Serials "BK" and after	239-44587-01
Serials Prior to "BK"	239-82035-01
24 Harness Upper Sensor & Damper:	
Serials "BK" and after	239-44559-01
Serials Prior to "BK"	239-43116-01
25 Lower Thermostat Sensor/ECO	239-82034-00
26 Control Box Assembly Complete with Upper & Lower Harness	243-44570-05
27 Hot Water Outlet Nipple (Side)	229-40913-02
28 Upper Thermostat Sensor	239-82033-00
29 Utility Cover	239-80281-03

Common Burner Parts To D100S199(E)*(N,X) Models

Reference Number and Description	Part Number
1A Draft Panel	239-39419-00
2A Burner Rack Only	239-81969-01
3A Burner Tube:	
-Standard Burner	228-39177-00
-Lo NOx	228-42490-00
-Stainless Steel	228-81964-00
5A Burner Manifold	233-39170-00
7A Pilot Shield	239-41333-00
10A Aluminum Pilot Tube	233-80361-06
11A Pilot Mounting Screw	239-11706-00
12A Burner Support	239-45180-00

Parts Unique To D100S199(E)*N Models

Reference Number and Description	Part Number
20 Assembly Burner Rack Natural Gas**	243-39205-05
Assembly Burner Rack Natural Gas (Lo Nox)** ▲	243-42563-02
4A Gas Valve (Nat)	222-80830-02
6A Main Burner Orifice (Nat) (normal altitude)	234-06016-35
2000ft to 5000ft (high altitude)	234-06016-37
5001ft to 8000ft (high altitude)	234-06016-39
8001ft & above (high altitude)	234-06016-40
8A Natural Gas Pilot Assembly	233-41323-01
9A Natural Gas Pilot Orifice	233-41606-01

Parts Unique To D100S199*X Models

Reference Number and Description	Part Number
20 Assembly Burner Rack LP Gas**	243-39205-06
4A Gas Valve (LP)	222-80831-02
6A Main Burner Orifice (LP) (normal altitude)	234-06016-49
2000ft to 5000ft (high altitude)	234-06016-50
5001ft to 8000ft (high altitude)	234-06016-51
8001ft & above (high altitude)	234-06016-52
8A LP Gas Pilot Assembly	233-41323-02
9A LP Gas Pilot Orifice	233-41606-02

Optional Parts Reference Number and Description

8 Plug Type Anode Rod (Aluminum) (qty. 4)	224-38508-03
30 ASSE Approved Mixing Valve	239-43740-02
-Fields Power Vent Kit	239-81764-00
-NSF Leg Kit	265-44541-07
-LP to Natural Gas Conversion Kit	265-46033-06

* Applies to all warranties

** Ordering a complete burner assembly may increase delivery time. Please order the specific component for quickest delivery.

▲ Applies when "E" is present in model number (Example: D38T155E3N).

Parts Common To D100S250(E)*(N,X)(A) Models

Reference Number and Description	Part Number
1 Draft Diverter Complete with leg Kit	265-46548-00
2 Draft Diverter Only	243-81733-00-01
3 Draft Diverter Leg Kit Only	243-43690-09
4 Flue Damper Reducer	239-81811-00
5 Flue Damper Complete w/Adaptor Harness	265-43113-00
6 Hot Water Outlet Nipple	229-40913-01
7 Cold Water Inlet Dip Tube	229-43192-01
8 Plug Type Anode Rod (Magnesium) (qty. 4)	224-32758-15
Plug Type Anode Rod (Aluminum)	224-38508-03
9 Flue Baffle (Qty. 9)	243-81566-00
13 1" NPT Nipple	229-32762-19
14 T&P Valve	230-33630-04
15 Cleanout O-Ring Gasket	205-18427-00
15A Cleanout Gasket (ASME)	205-32942-00
16 Cleanout Cover	205-18428-00
16A Cleanout Cover (ASME)	205-32941-00
17 Cleanout Cover Screw	239-82166-00
17A Cleanout Cover Screw (ASME)	239-32970-00
18 Cleanout Access Cover	243-20299-00
19 Cleanout Access Cover Screw	239-32761-00
21 Brass Drain Valve	227-42351-01
22 Cold Water inlet Nipple (Side)	229-44731-00
23 Harness Gas Valve & Lower Sensor:	
Serials "BK" and after	239-44587-01
Serials Prior to "BK"	239-82035-01
24 Harness Upper Sensor & Damper:	
Serials "BK" and after	239-44559-01
Serials Prior to "BK"	239-43116-01
25 Lower Thermostat Sensor/ECO	239-82034-00
26 Control Box Assembly Complete with Upper & Lower Harness	243-44570-05
27 Hot Water Outlet Nipple (Side)	229-40913-02
28 Upper Thermostat Sensor	239-82033-00
29 Utility Cover	239-80281-03

Common Burner Parts To D100S250(E)*(N,X)(A) Models

Reference Number and Description	Part Number
1A Draft Panel	239-39419-00
2A Burner Rack Only	239-81969-01
3A Burner Tube:	
-Standard Burner	228-39177-00
-Lo NOx	228-42490-00
-Stainless Steel	228-81964-00
5A Burner Manifold	233-39170-00
7A Pilot Shield	239-41333-00
10A Aluminum Pilot Tube	233-80361-06
11A Pilot Mounting Screw	239-11706-00
12A Burner Support	239-45180-00

Parts Unique To D100S250(E)*N(A) Models

Reference Number and Description	Part Number
20 Assembly Burner Rack Natural Gas**	243-39205-09
Assembly Burner Rack Natural Gas (Lo Nox)** ▲	243-42563-04
4A Gas Valve (Nat)	222-80830-02
6A Main Burner Orifice (Nat) (normal altitude)	234-06016-31
2000ft to 5000ft (high altitude)	234-06016-32
5001ft to 8000ft (high altitude)	234-06016-34
8001ft & above (high altitude)	234-06016-35
8A Natural Gas Pilot Assembly	233-41323-01
9A Natural Gas Pilot Orifice	233-41606-01

Parts Unique To D100S250*X(A) Models

Reference Number and Description	Part Number
20 Assembly Burner Rack LP Gas**	243-39205-10
4A Gas Valve (LP)	222-80831-02
6A Main Burner Orifice (LP) (normal altitude)	234-06016-46
2000ft to 5000ft (high altitude)	234-06016-48
5001ft to 8000ft (high altitude)	234-06016-49
8001ft & above (high altitude)	234-06016-50
8A LP Gas Pilot Assembly	233-41323-02
9A LP Gas Pilot Orifice	233-41606-02

Optional Parts Reference Number and Description

8 Plug Type Anode Rod (Aluminum) (qty. 4)	224-38508-03
30 ASSE Approved Mixing Valve	239-43740-02
- Fields Power Vent Kit	239-81764-00
- NSF Leg Kit	265-44541-07
- LP to Natural Gas Conversion Kit	265-46033-10

* Applies to all warranties

** Ordering a complete burner assembly may increase delivery time. Please order the specific component for quickest delivery.

▲ Applies when "E" is present in model number (Example: D38T155E3N).

Parts Common To D100T199(E)*(N,X) Models

Reference Number and Description	Part Number
1 Draft Diverter Complete with leg Kit	265-46544-00
2 Draft Diverter Only	243-81986-00-01
3 Draft Diverter Leg Kit Only	243-43690-02
5 Flue Damper Complete w/Adaptor Harness	265-42973-00
6 Hot Water Outlet Nipple	229-40913-01
7 Cold Water Inlet Dip Tube	229-43192-02
8 Plug Type Anode Rod (Magnesium) (qty. 2)	224-32758-30
Plug Type Anode Rod (Aluminum)	224-38508-07
9 Flue Baffle (Qty. 8)	243-39392-00
12 1" NPT x 3/4 NPT Reducer Bushing	239-02052-00
13 3/4 NPT Nipple	229-81075-00
14 T&P Valve	230-30246-00
15 Cleanout O-Ring Gasket	205-18427-00
16 Cleanout Cover	205-18428-00
17 Cleanout Cover Screw	239-82166-00
18 Cleanout Access Cover	243-20299-00
19 Cleanout Access Cover Screw	239-32761-00
21 Brass Drain Valve	227-42351-04
22 Cold Water inlet Nipple (Side)	229-44731-00
23 Harness Gas Valve & Lower Sensor: Serials "BK" and after	239-44561-01
Serials Prior to "BK"	239-82035-01
24 Harness Upper Sensor & Damper: Serials "BK" and after	239-44559-01
Serials Prior to "BK"	239-43116-02
25 Lower Thermostat Sensor/ECO	239-82034-00
26 Control Box Assembly Complete with Upper & Lower Harness	243-44570-07
27 Hot Water Outlet Nipple (Side)	229-40913-02
28 Upper Thermostat Sensor	239-82033-00
29 Utility Cover	239-80281-03

Common Burner Parts To D100T199(E)*(N,X) Models

Reference Number and Description	Part Number
1A Draft Panel	239-39419-00
2A Burner Rack Only	239-81969-01
3A Burner Tube: -Standard Burner	228-39177-00
-Lo NOx	228-42490-00
-Stainless Steel	228-81964-00
5A Burner Manifold	233-39170-00
7A Pilot Shield	239-41333-00
10A Aluminum Pilot Tube	233-80361-06
11A Pilot Mounting Screw	239-11706-00
12A Burner Support	239-45180-00

Parts Unique To D100T199(E)*N Models

Reference Number and Description	Part Number
20 Assembly Burner Rack Natural Gas** Assembly Burner Rack Natural Gas (Lo Nox)** ▲	243-39205-05 243-42563-02
4A Gas Valve (Nat)	222-80830-02
6A Main Burner Orifice (Nat) (normal altitude)	234-06016-35
2000ft to 5000ft (high altitude)	234-06016-37
5001ft to 8000ft (high altitude)	234-06016-39
8001ft & above (high altitude)	234-06016-40
8A Natural Gas Pilot Assembly	233-41323-01
9A Natural Gas Pilot Orifice	233-41606-01

Parts Unique To D100T199*X Models

Reference Number and Description	Part Number
20 Assembly Burner Rack LP Gas**	243-39205-06
4A Gas Valve (LP)	222-80831-02
6A Main Burner Orifice (LP) (normal altitude)	234-06016-49
2000ft to 5000ft (high altitude)	234-06016-50
5001ft to 8000ft (high altitude)	234-06016-51
8001ft & above (high altitude)	234-06016-52
8A LP Gas Pilot Assembly	233-41323-02
9A LP Gas Pilot Orifice	233-41606-02

Optional Parts Reference Number and Description

8 Plug Type Anode Rod (Aluminum) (qty. 2)	224-38508-01
30 ASSE Approved Mixing Valve	239-43740-02
-Fields Power Vent Kit	239-81764-00
-NSF Leg Kit	265-44541-07
-LP to Natural Gas Conversion Kit	265-46033-06

* Applies to all warranties

** Ordering a complete burner assembly may increase delivery time. Please order the specific component for quickest delivery.

▲ Applies when "E" is present in model number (Example: D38T155E3N).

Parts Common To D100T250(E)*(N,X)(A) Models

Reference Number and Description	Part Number
1 Draft Diverter Complete with leg Kit	265-46544-00
2 Draft Diverter Only	243-81986-00-01
3 Draft Diverter Leg Kit Only	243-43690-02
5 Flue Damper Complete w/Adaptor Harness	265-42973-00
6 Hot Water Outlet Nipple	229-40913-01
7 Cold Water Inlet Dip Tube	229-43192-02
8 Plug Type Anode Rod (Magnesium) (qty. 2)	224-32758-30
Plug Type Anode Rod (Aluminum)	224-38508-07
9 Flue Baffle (Qty. 8)	243-39341-00
13 1" NPT Nipple	229-32762-19
14 T&P Valve	230-33630-04
15 Cleanout O-Ring Gasket	205-18427-00
15A Cleanout Gasket (ASME)	205-32942-00
16 Cleanout Cover	205-18428-00
16A Cleanout Cover (ASME)	205-32941-00
17 Cleanout Cover Screw	239-82166-00
17A Cleanout Cover Screw (ASME)	239-32970-00
18 Cleanout Access Cover	243-20299-00
19 Cleanout Access Cover Screw	239-32761-00
21 Brass Drain Valve	227-42351-04
22 Cold Water inlet Nipple (Side)	229-44731-00
23 Harness Gas Valve & Lower Sensor: Serials "BK" and after	239-44561-01
Serials Prior to "BK"	239-82035-01
24 Harness Upper Sensor & Damper: Serials "BK" and after	239-44559-01
Serials Prior to "BK"	239-43116-02
25 Lower Thermostat Sensor/ECO	239-82034-00
26 Control Box Assembly Complete with Upper & Lower Harness	243-44570-07
27 Hot Water Outlet Nipple (Side)	229-40913-02
28 Upper Thermostat Sensor	239-82033-00
29 Utility Cover	239-80281-03

Common Burner Parts To D100T250(E)*(N,X)(A) Models

Reference Number and Description	Part Number
1A Draft Panel	239-39419-00
2A Burner Rack Only	239-81969-01
3A Burner Tube: -Standard Burner	228-39177-00
-Lo NOx	228-42490-00
-Stainless Steel	228-81964-00
5A Burner Manifold	233-39170-00
7A Pilot Shield	239-41333-00
10A Aluminum Pilot Tube	233-80361-06
11A Pilot Mounting Screw	239-11706-00
12A Burner Support	239-45180-00

Parts Unique To D100T250(E)*N(A) Models

Reference Number and Description	Part Number
20 Assembly Burner Rack Natural Gas**	243-39205-09
Assembly Burner Rack Natural Gas (Lo Nox)** ▲	243-42563-04
4A Gas Valve (Nat)	222-80830-02
6A Main Burner Orifice (Nat) (normal altitude)	234-06016-31
2000ft to 5000ft (high altitude)	234-06016-32
5001ft to 8000ft (high altitude)	234-06016-34
8001ft & above (high altitude)	234-06016-35
8A Natural Gas Pilot Assembly	233-41323-01
9A Natural Gas Pilot Orifice	233-41606-01

Parts Unique To D100T250*X(A) Models

Reference Number and Description	Part Number
20 Assembly Burner Rack LP Gas**	243-39205-10
4A Gas Valve (LP)	222-80831-02
6A Main Burner Orifice (LP) (normal altitude)	234-06016-46
2000ft to 5000ft (high altitude)	234-06016-48
5001ft to 8000ft (high altitude)	234-06016-49
8001ft & above (high altitude)	234-06016-50
8A LP Gas Pilot Assembly	233-41323-02
9A LP Gas Pilot Orifice	233-41606-02

Optional Parts Reference Number and Description

8 Plug Type Anode Rod (Aluminum) (qty. 2)	224-38508-01
30 ASSE Approved Mixing Valve	239-43740-02
-Fields Power Vent Kit	239-81764-00
-NSF Leg Kit	265-44541-07
-LP to Natural Gas Conversion Kit	265-46033-10

* Applies to all warranties

** Ordering a complete burner assembly may increase delivery time. Please order the specific component for quickest delivery.

▲ Applies when "E" is present in model number (Example: D38T155E3N).

Parts Common To D100L199(E)*(N,X) Models

Reference Number and Description	Part Number
1 Draft Diverter Complete with leg Kit	265-46549-00
2 Draft Diverter Only	243-81733-00-01
3 Draft Diverter Leg Kit Only	243-43690-01
4 Flue Damper Reducer	239-81811-00
5 Flue Damper Complete with Adaptor Harness & Reducer	265-43113-00
6 Hot Water Outlet Nipple	229-40913-01
7 Cold Water Inlet Dip Tube	229-43192-01
8 Plug Type Anode Rod (Magnesium) (qty. 4)	224-32758-15
Plug Type Anode Rod (Aluminum)	224-38508-03
9 Flue Baffle (Qty. 12)	243-81735-00
12 1" NPT x 3/4 NPT Reducer Bushing 239-02052-00	
13 3/4 NPT Nipple	229-32762-02
14 T&P Valve	230-30246-00
15 Cleanout O-Ring Gasket	205-18427-00
16 Cleanout Cover	205-18428-00
17 Cleanout Cover Screw	239-82166-00
18 Cleanout Access Cover	243-20299-00
19 Cleanout Access Cover Screw	239-32761-00
21 Brass Drain Valve	227-42351-01
22 Cold Water inlet Nipple (Side)	229-44731-00
23 Harness Gas Valve & Lower Sensor: Serials "BK" and after	239-44586-01
Serials Prior to "BK"	239-82035-01
24 Harness Upper Sensor & Damper: Serials "BK" and after	239-44559-03
Serials Prior to "BK"	239-43116-01
25 Lower Thermostat Sensor/ECO	239-82034-00
26 Control Box Assembly Complete with Upper & Lower Harness	243-44570-04
27 Hot Water Outlet Nipple (Side)	229-40913-02
28 Upper Thermostat Sensor	239-82033-00
29 Utility Cover	239-80281-03

Common Burner Parts To D100L199(E)*(N,X) Models

Reference Number and Description	Part Number
1A Draft Panel	239-39420-00
2A Burner Rack Only	239-81969-02
3A Burner Tube: -Standard Burner	228-39177-00
-Lo NOx	228-42490-00
-Stainless Steel	228-81964-00
5A Burner Manifold	233-81725-00
7A Pilot Shield	239-41333-00
10A Aluminum Pilot Tube	233-80361-01
11A Pilot Mounting Screw	239-11706-00
12A Burner Support	239-45181-00

Parts Unique To D100L199(E)*N Models

Reference Number and Description	Part Number
20 Assembly Burner Rack Natural Gas**	243-81743-01
Assembly Burner Rack Natural Gas (Lo Nox)** ▲	243-42536-01
4A Gas Valve (Nat)	222-80830-02
6A Main Burner Orifice (Nat) (normal altitude)	234-06016-42
2000ft to 5000ft (high altitude)	234-06016-43
5001ft to 8000ft (high altitude)	234-06016-45
8001ft & above (high altitude)	234-06016-45
8A Natural Gas Pilot Assembly	233-41323-01
9A Natural Gas Pilot Orifice	233-41606-01

Parts Unique To D100L199*X Models

Reference Number and Description	Part Number
20 Assembly Burner Rack LP Gas**	243-81743-02
4A Gas Valve (LP)	222-80831-02
6A Main Burner Orifice (LP) (normal altitude)	234-06016-1/16
2000ft to 5000ft (high altitude)	234-06016-53
5001ft to 8000ft (high altitude)	234-06016-54
8001ft & above (high altitude)	234-06016-54
8A LP Gas Pilot Assembly	233-41323-02
9A LP Gas Pilot Orifice	233-41606-02

Optional Parts Reference Number and Description

8 Plug Type Anode Rod (Aluminum) (qty. 4)	224-38508-03
30 ASSE Approved Mixing Valve	239-43740-02
-Fields Power Vent Kit	239-81764-00
-NSF Leg Kit	265-44541-08
-LP to Natural Gas Conversion Kit	265-46033-08

* Applies to all warranties

** Ordering a complete burner assembly may increase delivery time. Please order the specific component for quickest delivery.

▲ Applies when "E" is present in model number (Example: D38T155E3N).

Parts Common To D100L250(E)*(N,X)(A) Models

Reference Number and Description	Part Number
1 Draft Diverter Complete with leg Kit	265-46549-00
2 Draft Diverter Only	243-81733-00-01
3 Draft Diverter Leg Kit Only	243-43690-01
4 Flue Damper Reducer	239-81811-00
5 Flue Damper Complete with Adaptor Harness & Reducer	265-43113-00
6 Hot Water Outlet Nipple	229-40913-01
7 Cold Water Inlet Dip Tube	229-43192-01
8 Plug Type Anode Rod (Magnesium) (qty. 4)	224-32758-15
Plug Type Anode Rod (Aluminum)	224-38508-03
13 1" NPT Nipple	229-32762-19
14 T&P Valve	230-33630-04
15 Cleanout O-Ring Gasket	205-18427-00
15A Cleanout Gasket (ASME)	205-32942-00
16 Cleanout Cover	205-18428-00
16A Cleanout Cover (ASME)	205-32941-00
17 Cleanout Cover Screw	239-82166-00
17A Cleanout Cover Screw (ASME)	239-32970-00
18 Cleanout Access Cover	243-20299-00
19 Cleanout Access Cover Screw	239-32761-00
21 Brass Drain Valve	227-42351-01
22 Cold Water inlet Nipple (Side)	229-44731-00
23 Harness Gas Valve & Lower Sensor: Serials "BK" and after	239-44586-01
Serials Prior to "BK"	239-82035-01
24 Harness Upper Sensor & Damper: Serials "BK" and after	239-44559-03
Serials Prior to "BK"	239-43116-01
25 Lower Thermostat Sensor/ECO	239-82034-00
26 Control Box Assembly Complete with Upper & Lower Harness	243-44570-04
27 Hot Water Outlet Nipple (Side)	229-40913-02
28 Upper Thermostat Sensor	239-82033-00
29 Utility Cover	239-80281-03

Common Burner Parts To D100L250(E)*(N,X)(A) Models

Reference Number and Description	Part Number
1A Draft Panel	239-39420-00
2A Burner Rack Only	239-81969-02
3A Burner Tube: -Standard Burner	228-39177-00
-Lo NOx	228-42490-00
-Stainless Steel	228-81964-00
5A Burner Manifold	233-81725-00
7A Pilot Shield	239-41333-00
10A Aluminum Pilot Tube	233-80361-01
11A Pilot Mounting Screw	239-11706-00
12A Burner Support	239-45181-00

Parts Unique To D100L250(E)*N(A) Models

Reference Number and Description	Part Number
9 Flue Baffle (Qty. 12)	243-39392-00
20 Assembly Burner Rack Natural Gas**	243-81743-03
Assembly Burner Rack Natural Gas (Lo Nox)** ▲	243-42536-02
4A Gas Valve (Nat)	222-80830-02
6A Main Burner Orifice (Nat) (normal altitude)	234-06016-37
2000ft to 5000ft (high altitude)	234-06016-40
5001ft to 8000ft (high altitude)	234-06016-42
8001ft & above (high altitude)	234-06016-42
8A Natural Gas Pilot Assembly	233-41323-01
9A Natural Gas Pilot Orifice	233-41606-01

Parts Unique To D100L250*X(A) Models

Reference Number and Description	Part Number
9 Flue Baffle (Qty. 12)	243-81796-00
20 Assembly Burner Rack LP Gas**	243-81743-06
4A Gas Valve (LP)	222-80831-02
6A Main Burner Orifice (LP) (normal altitude)	234-06016-50
2000ft to 5000ft (high altitude)	234-06016-52
5001ft to 8000ft (high altitude)	234-06016-1/16
8001ft & above (high altitude)	234-06016-53
8A LP Gas Pilot Assembly	233-41323-02
9A LP Gas Pilot Orifice	233-41606-02

Optional Parts Reference Number and Description

8 Plug Type Anode Rod (Aluminum) (qty. 4)	224-38508-03
30 ASSE Approved Mixing Valve	239-43740-02
-Fields Power Vent Kit	239-81764-00
-NSF Leg Kit	265-44541-08
-LP to Natural Gas Conversion Kit	265-46033-07

* Applies to all warranties

** Ordering a complete burner assembly may increase delivery time. Please order the specific component for quickest delivery.

▲ Applies when "E" is present in model number (Example: D38T155E3N).

Parts Common To D100L270(E)*N(A) Models

Reference Number and Description	Part Number
1 Draft Diverter Complete with leg Kit	265-46549-00
2 Draft Diverter Only	243-81733-00-01
3 Draft Diverter Leg Kit Only	243-43690-01
4 Flue Damper Reducer	239-81811-00
5 Flue Damper Complete with Adaptor Harness & Reducer	265-43113-00
6 Hot Water Outlet Nipple	229-40913-01
7 Cold Water Inlet Dip Tube	229-43192-01
8 Plug Type Anode Rod (Magnesium) (qty. 4)	224-32758-15
Plug Type Anode Rod (Aluminum)	224-38508-03
9 Flue Baffle (Qty. 12)	243-81796-00
13 1" NPT Nipple	229-32762-19
14 T&P Valve	230-33630-04
15 Cleanout O-Ring Gasket	205-18427-00
15A Cleanout Gasket (ASME)	205-32942-00
16 Cleanout Cover	205-18428-00
16A Cleanout Cover (ASME)	205-32941-00
17 Cleanout Cover Screw	239-82166-00
17A Cleanout Cover Screw (ASME)	239-32970-00
18 Cleanout Access Cover	243-20299-00
19 Cleanout Access Cover Screw	239-32761-00
21 Brass Drain Valve	227-42351-01
22 Cold Water inlet Nipple (Side)	229-44731-00
23 Harness Gas Valve & Lower Sensor:	
Serials "BK" and after	239-44586-01
Serials Prior to "BK"	239-82035-01
24 Harness Upper Sensor & Damper:	
Serials "BK" and after	239-44559-03
Serials Prior to "BK"	239-43116-01
25 Lower Thermostat Sensor/ECO	239-82034-00
26 Control Box Assembly Complete with Upper & Lower Harness	243-44570-04
27 Hot Water Outlet Nipple (Side)	229-40913-02
28 Upper Thermostat Sensor	239-82033-00
29 Utility Cover	239-80281-03

Burner Parts for D100L270(E)*N(A) Models

Reference Number and Description	Part Number
20 Assembly Burner Rack Natural Gas**	243-81743-05
Assembly Burner Rack Natural Gas (Lo Nox)** ▲	243-42536-03
1A Draft Panel	239-39420-00
2A Burner Rack Only	239-81969-02
3A Burner Tube:	
-Standard Burner	228-39177-00
-Lo NOx	228-42490-00
-Stainless Steel	228-81964-00
4A Gas Valve (Nat)	222-80830-02
5A Burner Manifold	233-81725-00
6A Main Burner Orifice (Nat) (normal altitude)	234-06016-36
2000ft to 5000ft (high altitude)	234-06016-38
5001ft to 8000ft (high altitude)	234-06016-39
8001ft & above (high altitude)	234-06016-40
7A Pilot Shield	239-41333-00
8A Natural Gas Pilot Assembly	233-41323-01
9A Natural Gas Pilot Orifice	233-41606-01
10A Aluminum Pilot Tube	233-80361-01
11A Pilot Mounting Screw	239-11706-00
12A Burner Support	239-45181-00

Optional Parts Reference Number and Description

8 Plug Type Anode Rod (Aluminum) (qty. 4)	224-38508-03
30 ASSE Approved Mixing Valve	239-43740-02
-Fields Power Vent Kit	239-81764-00
-NSF Leg Kit	265-44541-08

* Applies to all warranties

** Ordering a complete burner assembly may increase delivery time. Please order the specific component for quickest delivery.

▲ Applies when "E" is present in model number (Example: D38T155E3N).

Parts Common To D100L300(E)*(N,X)(A) Models

Reference Number and Description	Part Number
1 Draft Diverter Complete with leg Kit	265-46550-00
2 Draft Diverter Only	243-81502-00-01
3 Draft Diverter Leg Kit Only	243-43690-06
5 Flue Damper Complete with Adaptor Harness	265-42974-00
6 Hot Water Outlet Nipple	229-40913-01
7 Cold Water Inlet Dip Tube	229-43192-01
8 Plug Type Anode Rod (Magnesium) (qty. 4)	224-32758-15
Plug Type Anode Rod (Aluminum)	224-38508-03
9 Flue Baffle (Qty. 12)	243-81737-00
13 1" NPT Nipple	229-32762-19
14 T&P Valve	230-33630-04
15 Cleanout O-Ring Gasket	205-18427-00
15A Cleanout Gasket (ASME)	205-32942-00
16 Cleanout Cover	205-18428-00
16A Cleanout Cover (ASME)	205-32941-00
17 Cleanout Cover Screw	239-82166-00
17A Cleanout Cover Screw (ASME)	239-32970-00
18 Cleanout Access Cover	243-20299-00
19 Cleanout Access Cover Screw	239-32761-00
21 Brass Drain Valve	227-42351-01
22 Cold Water inlet Nipple (Side)	229-44731-00
23 Harness Gas Valve & Lower Sensor: Serials "BK" and after	239-44586-01
Serials Prior to "BK"	239-82035-01
24 Harness Upper Sensor & Damper: Serials "BK" and after	239-44559-03
Serials Prior to "BK"	239-43116-01
25 Lower Thermostat Sensor/ECO	239-82034-00
26 Control Box Assembly Complete with Upper & Lower Harness	243-44570-04
27 Hot Water Outlet Nipple (Side)	229-40913-02
28 Upper Thermostat Sensor	239-82033-00
29 Utility Cover	239-80281-03

Common Burner Parts To D100L300(E)*(N,X)(A) Models

Reference Number and Description	Part Number
1A Draft Panel	239-39420-00
2A Burner Rack Only	239-81969-02
3A Burner Tube: -Standard Burner	228-39177-00
-Lo NOx	228-42490-00
-Stainless Steel	228-81964-00
5A Burner Manifold	233-81725-00
7A Pilot Shield	239-41333-00
10A Aluminum Pilot Tube	233-80361-01
11A Pilot Mounting Screw	239-11706-00
12A Burner Support	239-45181-00

Parts Unique To D100L300(E)*N(A) Models

Reference Number and Description	Part Number
20 Assembly Burner Rack Natural Gas**	243-81743-07
Assembly Burner Rack Natural Gas (Lo Nox)** ▲	243-42536-04
4A Gas Valve (Nat)	222-80830-02
6A Main Burner Orifice (Nat) (normal altitude)	234-06016-33
2000ft to 5000ft (high altitude)	234-06016-36
5001ft to 8000ft (high altitude)	234-06016-37
8001ft & above (high altitude)	234-06016-38
8A Natural Gas Pilot Assembly	233-41323-01
9A Natural Gas Pilot Orifice	233-41606-01

Parts Unique To D100L300*X(A) Models

Reference Number and Description	Part Number
20 Assembly Burner Rack LP Gas**	243-81743-08
4A Gas Valve (LP)	222-80831-02
6A Main Burner Orifice (LP) (normal altitude)	234-06016-48
2000ft to 5000ft (high altitude)	234-06016-50
5001ft to 8000ft (high altitude)	234-06016-51
8001ft & above (high altitude)	234-06016-51
8A LP Gas Pilot Assembly	233-41323-02
9A LP Gas Pilot Orifice	233-41606-02

Optional Parts Reference Number and Description

8 Plug Type Anode Rod (Aluminum) (qty. 4)	224-38508-03
30 ASSE Approved Mixing Valve	239-43740-02
-Fields Power Vent Kit	239-81766-00
-NSF Leg Kit	265-44541-08
-LP to Natural Gas Conversion Kit	265-46033-09

* Applies to all warranties

** Ordering a complete burner assembly may increase delivery time. Please order the specific component for quickest delivery.

▲ Applies when "E" is present in model number (Example: D38T155E3N).

Parts Common To D80L399(E)*(N,X)(A) Models

Reference Number and Description	Part Number
1 Draft Diverter Complete with leg Kit	265-46551-00
2 Draft Diverter Only	243-81779-00-01
3 Draft Diverter Leg Kit Only	243-43690-07
4 Flue Damper Reducer	239-81812-00
5 Flue Damper Complete with Adaptor Harness & Reducer	265-43114-00
8 Plug Type Anode Rod (Magnesium) (qty. 4)	224-32758-28
Plug Type Anode Rod (Aluminum)	224-38508-04
9 Flue Baffle (Qty. 20)	243-81747-00
13 1" NPT Nipple	229-32762-19
14 T&P Valve	230-33630-04
15 Cleanout O-Ring Gasket	205-18427-00
15A Cleanout Gasket (ASME)	205-32942-00
16 Cleanout Cover	205-18428-00
16A Cleanout Cover (ASME)	205-32941-00
17 Cleanout Cover Screw	239-82166-00
17A Cleanout Cover Screw (ASME)	239-32970-00
18 Cleanout Access Cover	243-20299-00
19 Cleanout Access Cover Screw	239-32761-00
21 Brass Drain Valve	227-42351-01
22 Cold Water inlet Nipple (Side)	229-44731-00
23 Harness Gas Valve & Lower Sensor:	
Serials "BK" and after	239-44586-01
Serials Prior to "BK"	239-82035-01
24 Harness Upper Sensor & Damper:	
Serials "BK" and after	239-44559-02
Serials Prior to "BK"	239-43116-01
25 Lower Thermostat Sensor/ECO	239-82034-00
26 Control Box Assembly Complete with Upper & Lower Harness	243-44570-02
27 Hot Water Outlet Nipple (Side)	229-40913-02
28 Upper Thermostat Sensor	239-82033-00
29 Utility Cover	239-80281-03

Common Burner Parts To D80L399(E)*(N,X)(A) Models

Reference Number and Description	Part Number
1A Draft Panel	239-39421-00
2A Burner Rack Only	239-81969-03
3A Burner Tube:	
-Standard Burner	228-39177-00
-Lo NOx	228-42490-00
-Stainless Steel	228-81964-00
7A Pilot Shield	239-41333-00
10A Aluminum Pilot Tube	233-80361-01
11A Pilot Mounting Screw	239-11706-00
12A Burner Support	239-39259-00

Parts Unique To D80L399(E)*N(A) Models

Reference Number and Description	Part Number
20 Assembly Burner Rack Natural Gas**	243-81788-01
Assembly Burner Rack Natural Gas (Lo Nox)** ▲	243-42562-01
4A Gas Valve (Nat)	222-81608-03
6A Main Burner Orifice (Nat) (normal altitude)	234-06016-32
2000ft to 5000ft (high altitude)	234-06016-35
5001ft to 8000ft (high altitude)	234-06016-37
8001ft & above (high altitude)	234-06016-38
8A Natural Gas Pilot Assembly	233-41323-01
9A Natural Gas Pilot Orifice	233-41606-01
15A Burner Manifold	233-39171-00

Parts Unique To D80L399*X(A) Models

Reference Number and Description	Part Number
20 Assembly Burner Rack LP Gas**	243-81788-02
4A Gas Valve (LP)	222-80831-02
6A Main Burner Orifice (LP) (normal altitude)	234-06016-48
2000ft to 5000ft (high altitude)	234-06016-50
5001ft to 8000ft (high altitude)	234-06016-51
8001ft & above (high altitude)	234-06016-51
8A LP Gas Pilot Assembly	233-41323-02
9A LP Gas Pilot Orifice	233-41606-02
14A Burner Manifold	233-39173-00

Optional Parts Reference Number and Description

8 Plug Type Anode Rod (Aluminum) (qty. 4)	224-38508-04
30 ASSE Approved Mixing Valve	239-43740-02
-Fields Power Vent Kit	239-81766-00
-NSF Leg Kit	265-44541-08
-LP to Natural Gas Conversion Kit	265-46034-06

* Applies to all warranties

** Ordering a complete burner assembly may increase delivery time. Please order the specific component for quickest delivery.

▲ Applies when "E" is present in model number (Example: D38T155E3N).

Parts Common To D80L450*(N,X)(A) Models

Reference Number and Description	Part Number
1 Draft Diverter Complete with leg Kit	265-46552-00
2 Draft Diverter Only	243-81739-00-01
3 Draft Diverter Leg Kit Only	243-43690-05
5 Flue Damper Complete with Adaptor Harness	265-42975-00
8 Plug Type Anode Rod (Magnesium) (qty. 4)	224-32758-28
Plug Type Anode Rod (Aluminum)	224-38508-04
9 Flue Baffle (Qty. 20)	243-81730-00
13 1" NPT Nipple	229-32762-19
14 T&P Valve	230-33630-04
15 Cleanout O-Ring Gasket	205-18427-00
15A Cleanout Gasket (ASME)	205-32942-00
16 Cleanout Cover	205-18428-00
16A Cleanout Cover (ASME)	205-32941-00
17 Cleanout Cover Screw	239-82166-00
17A Cleanout Cover Screw (ASME)	239-32970-00
18 Cleanout Access Cover	243-20299-00
19 Cleanout Access Cover Screw	239-32761-00
21 Brass Drain Valve	227-42351-01
22 Cold Water inlet Nipple (Side)	229-44731-00
23 Harness Gas Valve & Lower Sensor: Serials "BK" and after	239-44586-01
Serials Prior to "BK"	239-82035-01
24 Harness Upper Sensor & Damper: Serials "BK" and after	239-44559-02
Serials Prior to "BK"	239-43116-01
25 Lower Thermostat Sensor/ECO	239-82034-00
26 Control Box Assembly Complete with Upper & Lower Harness	243-44570-02
27 Hot Water Outlet Nipple (Side)	229-40913-02
28 Upper Thermostat Sensor	239-82033-00
29 Utility Cover	239-80281-03

Common Burner Parts To D80L450*(N,X)(A) Models

Reference Number and Description	Part Number
1A Draft Panel	239-39421-00
2A Burner Rack Only	239-81969-03
3A Burner Tube: -Standard Burner	228-39177-00
-Lo NOx	228-42490-00
-Stainless Steel	228-81964-00
7A Pilot Shield	239-41333-00
10A Aluminum Pilot Tube	233-80361-01
11A Pilot Mounting Screw	239-11706-00
12A Burner Support	239-39259-00

Parts Unique To D80L450*N(A) Models

Reference Number and Description	Part Number
20 Assembly Burner Rack Natural Gas**	243-81788-03
4A Gas Valve (Nat)	222-81608-03
6A Main Burner Orifice (Nat) (normal altitude)	234-06016-1/8
2000ft to 5000ft (high altitude)	234-06016-32
5001ft to 8000ft (high altitude)	234-06016-34
8001ft & above (high altitude)	234-06016-35
8A Natural Gas Pilot Assembly	233-41323-01
9A Natural Gas Pilot Orifice	233-41606-01
15A Burner Manifold	233-39171-00

Parts Unique To D80L450*X(A) Models

Reference Number and Description	Part Number
20 Assembly Burner Rack LP Gas**	243-81788-04
4A Gas Valve (LP)	222-80831-02
6A Main Burner Orifice (LP) (normal altitude)	234-06016-46
2000ft to 5000ft (high altitude)	234-06016-48
5001ft to 8000ft (high altitude)	234-06016-49
8001ft & above (high altitude)	234-06016-49
8A LP Gas Pilot Assembly	233-41323-02
9A LP Gas Pilot Orifice	233-41606-02
14A Burner Manifold	233-39173-00

Optional Parts Reference Number and Description

8 Plug Type Anode Rod (Aluminum) (qty. 4)	224-38508-04
30 ASSE Approved Mixing Valve	239-43740-02
-Fields Power Vent Kit	239-82148-00
-NSF Leg Kit	265-44541-08
-LP to Natural Gas Conversion Kit	265-46034-07

* Applies to all warranties

** Ordering a complete burner assembly may increase delivery time. Please order the specific component for quickest delivery.

Parts Common To D80L505*(N,X)(A) Models

Reference Number and Description	Part Number
1 Draft Diverter Complete with leg Kit	265-46552-00
2 Draft Diverter Only	243-81739-00-01
3 Draft Diverter Leg Kit Only	243-43690-05
5 Flue Damper Complete with Adaptor Harness	265-42975-00
8 Plug Type Anode Rod (Magnesium) (qty. 4)	224-32758-28
Plug Type Anode Rod (Aluminum)	224-38508-04
9 Flue Baffle (Qty. 20)	243-81747-00
13 1" NPT Nipple	229-32762-19
14 T&P Valve	230-33630-04
15 Cleanout O-Ring Gasket	205-18427-00
15A Cleanout Gasket (ASME)	205-32942-00
16 Cleanout Cover	205-18428-00
16A Cleanout Cover (ASME)	205-32941-00
17 Cleanout Cover Screw	239-82166-00
17A Cleanout Cover Screw (ASME)	239-32970-00
18 Cleanout Access Cover	243-20299-00
19 Cleanout Access Cover Screw	239-32761-00
21 Brass Drain Valve	227-42351-01
22 Cold Water inlet Nipple (Side)	229-44731-00
23 Harness Gas Valve & Lower Sensor: Serials "BK" and after	239-44586-01
Serials Prior to "BK"	239-82035-01
24 Harness Upper Sensor & Damper: Serials "BK" and after	239-44559-02
Serials Prior to "BK"	239-43116-01
25 Lower Thermostat Sensor/ECO	239-82034-00
26 Control Box Assembly Complete with Upper & Lower Harness	243-44570-02
27 Hot Water Outlet Nipple (Side)	229-40913-02
28 Upper Thermostat Sensor	239-82033-00
29 Utility Cover	239-80281-03

Common Burner Parts To D80L505*(N,X)(A) Models

Reference Number and Description	Part Number
1A Draft Panel	239-39421-00
2A Burner Rack Only	239-81969-03
3A Burner Tube: -Standard Burner	228-39177-00
-Lo NOx	228-42490-00
-Stainless Steel	228-81964-00
7A Pilot Shield	239-41333-00
10A Aluminum Pilot Tube	233-80361-01
11A Pilot Mounting Screw	239-11706-00
12A Burner Support	239-39259-00

Parts Unique To D80L505*N(A) Models

Reference Number and Description	Part Number
20 Assembly Burner Rack Natural Gas**	243-81788-05
4A Gas Valve (Nat)	222-81608-03
6A Main Burner Orifice (Nat) (normal altitude)	234-06016-30
2000ft to 5000ft (high altitude)	234-06016-1/8
5001ft to 8000ft (high altitude)	234-06016-32
8001ft & above (high altitude)	234-06016-32
8A Natural Gas Pilot Assembly	233-41323-01
9A Natural Gas Pilot Orifice	233-41606-01
15A Burner Manifold	233-39171-00

Parts Unique To D80L505*X(A) Models

Reference Number and Description	Part Number
20 Assembly Burner Rack LP Gas**	243-81788-06
4A Gas Valve (LP)	222-80831-02
6A Main Burner Orifice (LP) (normal altitude)	234-06016-44
2000ft to 5000ft (high altitude)	234-06016-45
5001ft to 8000ft (high altitude)	234-06016-47
8001ft & above (high altitude)	234-06016-48
8A LP Gas Pilot Assembly	233-41323-02
9A LP Gas Pilot Orifice	233-41606-02
14A Burner Manifold	233-39173-00

Optional Parts Reference Number and Description

8 Plug Type Anode Rod (Aluminum) (qty. 4)	224-38508-04
30 ASSE Approved Mixing Valve	239-43740-02
-Fields Power Vent Kit	239-82148-00
-NSF Leg Kit	265-44541-08
-LP to Natural Gas Conversion Kit	265-46034-08

* Applies to all warranties

** Ordering a complete burner assembly may increase delivery time. Please order the specific component for quickest delivery.

Fields Power Vent Kits

Part Number	Description	Application
239-81764-00	SWGII-5 Power Vent Kit (CK-41 control)	Less then or equal to 290,000 BTU
239-81766-00	SWGII-6 Power Vent Kit (CK-41 control)	Greater than 290,000 BTU up to 415,000 BTU
239-82148-00	SWGII-8 Power Vent Kit (CK-41 control)	Greater than 416,000 BTU up to 505,000 BTU

CK-41 Control Components

Part Number	Description	Application
233-42864-00	CK-41 Control Complete Including: -233-42865-00 Pressure Switch -233-42866-00 Relay -233-42867-00 Spill Switch	All Models
239-81755-00	Wire Harness	All Models

Terminal Extension Kits (for 16" wall thickness)

Part Number	Description	Application
239-42911-00	5" Dia. Vent extension	SWGII-5 Power Vent Kit
239-42912-00	6" Dia. Vent extension	SWGII-6 Power Vent Kit
239-42913-00	8" Dia. Vent extension	SWG-8 Power Vent Kit



Ambler, PA

For U.S. and Canada field service,
contact your professional installer or
local Bradford White sales representative.

Sales/800-523-2931
Fax/215-641-1670

Application & Sizing/800-523-2931
Fax/215-641-1612

Technical Support/800-334-3393
Fax/269-795-1089

Warranty/800-531-2111
Fax/269-795-1089

International:
Telephone/215-641-9400
Telefax/215-641-9750



Mississauga, ON

Sales/Technical Support
866-690-0961
905-238-0100

Fax/905-238-0105

Email

parts@bradfordwhite.com
techserv@bradfordwhite.com

www.bradfordwhite.com
www.bradfordwhitecanada.com

