



Commercial Energy Saver Gas—Models D-65T-625 D-80T-725

Features:



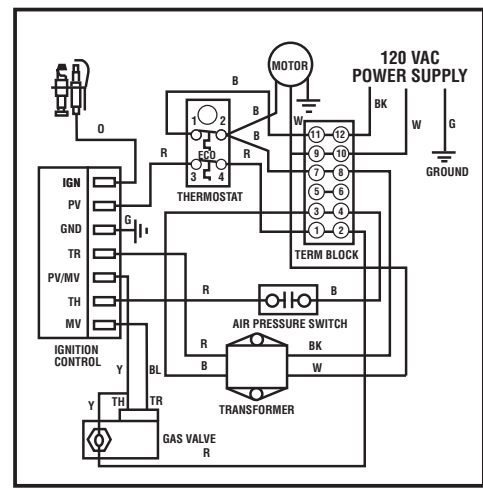
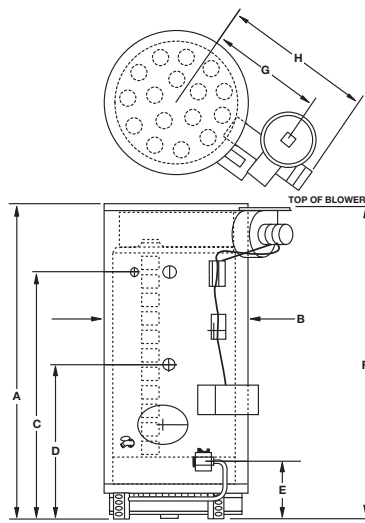
Bradford White is ISO registered to the 9001- standard.

- **2" Non-CFC foam insulation.**
- **Vitraglas® lined tank**—Bradford White water heater tanks are protected from the corrosive effects of hot water by an exclusive ceramic porcelain-like coating. The Bradford White Vitraglas® lining provides a tough interior surface for water heater tanks, which must withstand the wearing effects of high volume and high temperature hot water.
- **Flue damper**—automatic flue damper located at the blower outlet reduces stand-by loss, saving money and fuel.
- **Electronic ignition**—electronic ignition eliminates the constant burning pilot used on other commercial water heaters. This device results in savings of pilot gas during stand-by periods. (115V AC required).
- **Three magnesium anode rods**—employed to provide an extra measure of corrosion prevention for longer life.
- **Factory installed Hydrojet® Sediment Reduction System**—cold inlet sediment reduction device made of stainless steel for increased durability. Helps minimize sediment build up in tank.
- **Hand hole clean-out**—facilitates removal of water heaters principal deterrent to long life—accumulated lime and sediment deposits.
- **Controls**—an electric thermostat adjustable to any temperature up to 180°F (82°C). A recycling Energy Cut-Off (E.C.O.) shuts off all gas in the event of an overheat condition. An electronic module shuts off the main flow of gas in four seconds in the event of a pilot failure.
- **NSF construction available.**
- **T&P relief valve installed.**
- **Brass drain valve.**
- **ASME code models available.**
- **Capacities— 65 U.S. Gal. (246 Liter)
80 U.S. Gal. (303 Liter)**
- **625,000 to 725,000 BTUH (183.0KW to 212.3KW) input.**
- **Three year limited warranty**—Protects your investment in a quality glass lined heater. If the tank leaks for reasons of faulty materials, workmanship, or corrosion within the warranty period, the heater will be replaced with a comparable heater of our manufacture. (Exclusive of all shipping and reinstallation costs.) See complete copy of the warranty included with the heater.
- **One year limited parts warranty**—These quality components are manufactured for us by industry leaders and will be replaced in the event of failure during the parts warranty period (exclusive of shipping and reinstallation cost.)
- **Design certified by CSA International (formerly AGA and CGA).**

MANUFACTURED UNDER ONE OR MORE OF THE FOLLOWING U.S. PATENTS: 5,954,492; 5,761,379; 5,943,984; 5,081,696; 5,988,117; 6,142,216; 5,199,385; 6,684,821; 5,574,822; 5,372,185; 5,485,879; 5,277,171; (B1)5,341,770; 5,660,165; 5,596,952; 5,682,666; 4,904,428; 5,023,031; 5,000,893; 4,669,448; 4,829,983; 4,808,356; 5,115,767; 5,092,519; 5,052,346; 4,416,222; 4,628,184; 4,861,968; 4,672,919; Re. 34,534. OTHER U.S. AND FOREIGN PATENT APPLICATIONS PENDING. CURRENT CANADIAN PATENTS: 1,272,914; 1,280,043; 1,289,832; 2,045,862; 2,112,515; 2,108,186; 2,107,012.



Commercial Energy Saver Gas-Models D-65T-625 D-80T-725



WIRING DIAGRAM

Dimensions

Includes T&P Valve, Electronic Ignition and Flue Damper device in blower outlet.

STANDARD

V	●	▲	★	MODEL NUMBER	NAT. INPUT BTU	1ST HR. DEL. GAL. AT 100°F RISE	RECOVERY GPH AT DEGREE RISE			STG. CAP. U.S. GAL.	DIMENSIONS IN INCHES												
							40°F	100°F	140°F		A HT.	B DIA.	C HW OUTLET	D CW INTLET	E GAS CONN.	F VENT HT	G VENT C/L	H DR.DIV. RADIUS	VENT DIA.	GAS CONN.	WATER CONN.	STD. WT. (LBS.)	ASME WT. (LBS.)
V	●	▲	★	D-65T-625-3N(A)	625,000	651	1515	606	433	65	69%	28%	54%	28%	10½	68%	19%	27%	8	1*	1½	720	775
V	●	▲	★	D-80T-725-3N(A)	725,000	759	1757	703	502	80	79%	28%	64%	28%	10½	79%	19%	27%	8	1*	1½	800	880

*LP Gas Connection ¾"

V	●	▲	★	MODEL NUMBER	KW INPUT	1ST HR. DEL. LTR. AT 56°C RISE	RECOVERY LPH AT DEGREE RISE			STG. CAP. LITERS	DIMENSIONS IN MILLIMETERS												
							22°C	56°C	78°C		A HT.	B DIA.	C HW OUTLET	D CW INTLET	E GAS CONN.	F VENT HT	G VENT C/L	H DR.DIV. RADIUS	VENT DIA.	GAS CONN.	WATER CONN.	STD. WT. (KG)	ASME WT. (KG)
V	●	▲	★	D-65T-625-3N(A)	183.0	2464	5734	2294	1638	246	1762	724	1375	733	267	1749	498	702	203	25*	38	326	352
V	●	▲	★	D-80T-725-3N(A)	212.3	2873	6652	2661	1901	303	2022	724	1632	733	267	2010	498	702	203	25*	38	363	399

METRIC

To order an LP model change suffix "N" to "X".

Energy Saver Series feature Hand Hole Cleanout on all models.

*LP Gas Connection 19mm

LP models are not available in Canada for inputs over 399,999

Recoveries and First Hour Delivery Rating are based on Thermal Efficiencies ranging up to 80%.

V - 115V A.C. Required

● - Electronic Ignition

▲ - 80% Thermal Efficient

★ - Listed with California Energy Commission

(A) - ASME Available

NSF Available

Note: Both models are fan induced, not power vented. Please consult factory for additional information.

These models meet or exceed the Thermal Efficiency and Standby Loss Requirements of ASHRAE 90.1b (current edition).

Suitable for Water (Potable) Heating and Space Heating

Toxic chemicals, such as those used for boiler treatment, shall NEVER be introduced into this system. This unit may NEVER be connected to any existing heating system or component(s) previously used with a non-potable water heating appliance.

Both models are design certified by the American Gas Association and Canadian Gas Association for up to 180°F (82°C) application as both an Automatic Instantaneous Heater and an Automatic Circulating Tank Heater. Can be used as a single unit or in multiples connected in parallel with manifolds. 115V AC Required.

Sample Specification

The water heater shall be a Bradford White model with a storage capacity of not less than _____ gallons (liters), a minimum gas input of _____ BTUH (KW), and a minimum recovery of _____ GPH (LPH) at 100°F (56°C) temperature rise. It shall be design certified by CSA International (formerly the AGA/CGA) for 180°F (82°C) application, either with or without a separate storage tank. The tank shall be lined with Vitraglas® vitreous enamel and shall have a bolted hand hole cleanout. The tank shall have three extruded magnesium anode rods installed in separate head couplings and extended to within three inches of the bottom. The heater shall be insulated with not less than 2" of Non-CFC foam insulation. In addition to the primary control system the heater shall be equipped with CSA design certified automatic gas shut-off. The entire installation shall be made in compliance with state and local codes and ordinances.

Dimensions and specifications subject to change without notice in accordance with our policy of continuous product improvement.

Hydrojet® and Vitraglas® are registered trademarks of Bradford White® Corporation. ©2004, Bradford White Corporation. All rights reserved.



For U.S. and Canada field service, contact your professional installer or local Bradford White sales representative.

Sales/800-523-2931
Fax/215-641-1670

Technical Support/800-334-3393
Fax/269-795-1089

Warranty/800-531-2111
Fax/269-795-1089

International:
Telephone/215-641-9400
Telefax/215-641-9750

Fax on Demand:
888-538-7833

www.bradfordwhite.com



Sales/866-690-0961
905-238-0100

Fax/905-238-0105

Technical Support/800-334-3393

www.bradfordwhitecanada.com

PRODUCTS ONLY FOR PROFESSIONALS

Printed in U.S.A.