

Residential Manufactured Home Atmospheric Vent Gas Water Heater



Photo is of
RG2MH30T6X

FEATURING:

DEFENDER
SAFETY SYSTEM™



The Manufactured Home FVIR Defender Safety System® Models Feature:

- **Advanced ScreenLok® Technology Flame Arrestor Design**—Flame arrestor is designed to prevent ignition of flammable vapor outside of the water heater.
- **Resettable Thermal Switch**—Proven and reliable bimetallic switch prevents burner and pilot operation in case of ongoing flammable vapors burning inside of the combustion chamber or restricted air flow.
- **Piezo Igniter**—Easy and quick lighting of the pilot burner by push button.
- **Pedestal Base**—Rugged and durable base allows easy transport and positioning, while providing corrosion-resistant contact with floor.
- **Maintenance-Free**—No regular cleaning of air inlet openings or flame arrestor is required under normal conditions.
- **Sight Window**—Offers a view into the combustion chamber to observe the operation of the pilot and burner.
- **Housing and Urban Development**—This water heater is designed in accordance with H.U.D. and is certified for installation in a manufactured home (mobile home) only and must be installed in an enclosure that will completely separate the water heater combustion and venting system from the dwelling interior.
- **Roof Jack Kit**—Ordered separately and includes a roof jack kit and hardware. Must specify roof jack size when ordering. Available in 12" (305mm), 18"/32" (457/813mm), 32"/60" (813/1524mm), or 48"/95" (1219/2413mm) lengths.
 - **Must order roof jack kit for new installations.**
- **Vitraglas® Lining**—An exclusively engineered enamel formula that provides superior tank protection from the highly corrosive effects of hot water. This formula (Vitraglas®) is fused to the steel surface by firing at a temperature of over 1600°F (871°C).
- **Fully Automatic Controls**—Automatic temperature selection at your fingertips. Built-in energy cut-off switch prevents abnormally high water temperature for extra safety. Built-in gas pressure regulation.
- **Convertible Gas Control**—Easily convertible control for use with either Propane or Natural Gas.
- **Insulation System**—2" (51mm) Non-CFC foam insulation covers the sides and top of the tank, reducing heat loss. This results in less energy consumption, improved efficiencies, and jacket rigidity.
- **Water Connections**—3/4" (19mm) NPT factory-installed true dielectric fittings extend water heater life and simplify water line connections.
- **Heat Trap**—Installed on hot water outlet to minimize heat loss through piping.
- **Protective Magnesium Anode Rod**—Provides added protection against corrosion for long-term, trouble-free service.
- **3"x4" "Snap Lock" Draft Diverter**—Allows either 3" (76mm) or 4" (102mm) vent connections with inputs of 40,000 BTU/Hr. or less.
- **Flue Baffle**—Maximizes the amount of heat absorbed by the tank and reduces heat loss during standby periods.
- **Steel Tank**—Heavy gauge steel automatically formed, rolled, and welded.
- **T&P Relief Valve**—Installed.
- **Low Restrictive Brass Drain Valve**—Durable tamper proof design.
- **Design Certified by CSA International (formerly AGA/CGA).**

6 or 10-Year Limited Tank Warranties / 6 or 10-Year Limited Warranty on Component Parts.

For more information on warranty, please visit www.bradfordwhite.com

For products installed in USA, Canada, and Puerto Rico. Some states do not allow limitations on warranties.

See complete copy of the warranty included with the heater.

Residential Manufactured Home Atmospheric Vent Gas Water Heater

Manufactured Home Models

NATURAL GAS AND LIQUID PROPANE GAS

Recovery efficiency ranging up to 79%

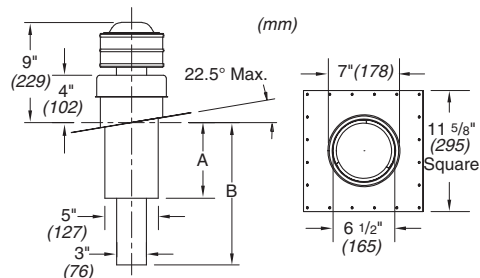
Model Number	Nominal Gal. Capacity		LP		First Hour Rating (Gal.)	Uniform Energy Factor	Recovery at 90°F Rise*				Model Number	Nominal Liter Capacity	kW Input	LP kW Input	First Hour Rating (Liters)	Uniform Energy Factor	Recovery at 50°C Rise*	
	U.S. Gal.	Imp. Gal.	BTU/Hr. Input	BTU/Hr. Input			U.S. GPH	Imp. GPH	U.S. GPH	Imp. GPH							Liters/Hour	LP Liters/Hour
RG2MH30T6X	30	25	32,000	32,000	50	0.54	34	28	34	28	RG2MH30T6X	114	9.4	9.4	189	0.54	129	129
RG2MH40T6X	40	33	34,000	34,000	54	0.59	37	31	37	31	RG2MH40T6X	151	10.0	10.0	204	0.59	140	140

Model Number	A Floor to Flue Conn. in.	B Jacket Dia. in.	C Vent Size in.	D Floor to T&P Conn. in.	E Floor to Gas Conn. in.	F Floor to Top of Heater in.	G Floor to Cold Water Conn. in.	H Depth in.	J Floor to Hot Water Conn. in.	M Water Conn. NPT in.	S Gas Conn. Size in.	Approx. Shipping Weight lbs.
RG2MH30T6X	59 ¹⁵ / ₁₆	18	3 or 4	49 ¹¹ / ₁₆	12 ³ / ₄	56 ³ / ₈	21 ¹³ / ₁₆	21 ⁵ / ₈	57 ⁵ / ₈	3/4	1/2	118
RG2MH40T6X	60 ³ / ₈	20	3 or 4	49 ¹¹ / ₁₆	13 ³ / ₈	56 ¹ / ₄	21 ¹³ / ₁₆	23 ⁵ / ₈	57 ¹³ / ₁₆	3/4	1/2	135

Model Number	A Floor to Flue Conn. mm.	B Jacket Dia. mm.	C Vent Size mm.	D Floor to T&P Conn. mm.	E Floor to Gas Conn. mm.	F Floor to Top of Heater mm.	G Floor to Cold Water Conn. mm.	H Depth mm.	J Floor to Hot Water Conn. mm.	M Water Conn. NPT mm.	S Gas Conn. Size mm.	Approx. Shipping Weight kg.
RG2MH30T6X	1522	457	76 or 102	1262	324	1432	554	549	1464	19	13	54
RG2MH40T6X	1534	508	76 or 102	1262	340	1429	554	600	1468	19	13	61

To order a natural gas heater change suffix "X" to "N". For 10 year models, change suffix from "6" to "10".

* Based on manufacturer's rated recovery efficiency. Uniform Energy Factor and First Hour Rating is based on the latest AHRI directory listings.



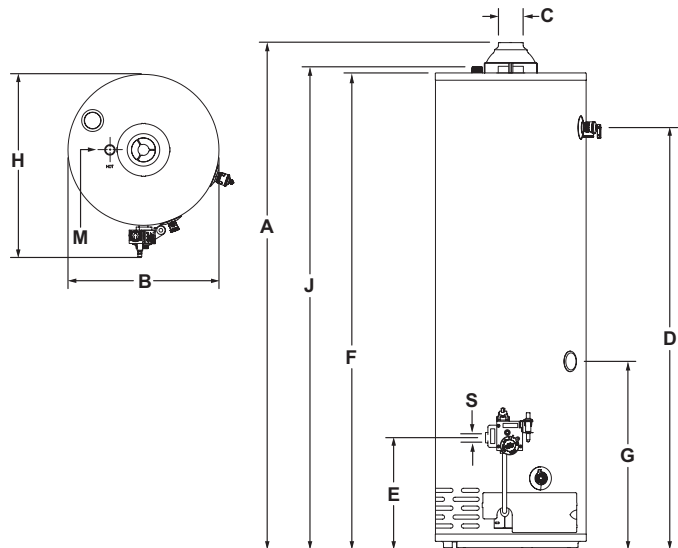
Optional Roof Jack Kits

Part Number	A	B	Through The Roof Clearance
239-37030-01	15"	16"-33"	12"
239-37030-02	33 ¹ / ₂ "	33 ¹ / ₂ "-66"	18" / 32"
239-37030-03	32 ¹ / ₂ "-62 ¹ / ₂ "	37 ¹ / ₂ "-74"	32" / 60"
239-37030-04	50"-98 ¹ / ₂ "	54 ¹ / ₂ "-109 ¹ / ₂ "	48" / 90"

Optional Roof Jack Kits (mm)

Part Number	A	B	Through The Roof Clearance
239-37030-01	381	406-838	305
239-37030-02	851	851-1676	457 / 813
239-37030-03	826-1586	953-1880	813 / 1524
239-37030-04	1270-2502	1384-2781	1219 / 2286

(Includes roof jack, hardware, instructions)



The water heater enclosure access door must be on the outside wall of the manufactured home (mobile home) only. Access to the water heater enclosure from the inside of the manufactured home (mobile home) is not permitted. The CSA International (formerly AGA/CGA) listing of this water heater includes the field installation of the following components: roof jack and heater tie down materials. These components for field installation are shipped in a separate box from the heater and must be installed according to instructions. No other components are approved for use with the water heater. The water heater must be installed in accordance with The Federal Manufactured Home Construction and Safety Standard Title 24 CFR, Part 3280.

General:

All gas water heaters are certified at 300 PSI (2068 kPa) test pressure and 150 PSI (1034 kPa) working pressure. All water connections are 3/4" NPT (19mm). All gas connections are 1/2" (13mm). All models design-certified by CSA International (formerly AGA/CGA), ANSI Z21.10.1 and peak performance rated. Designed in accordance with the H.U.D. Manufactured Home Construction and Safety Standard, Title 24 CFR, Part 3280.707 (d)(2) for energy efficiency.

Dimensions and specifications subject to change without notice in accordance with our policy of continuous product improvement.

Suitable for Water (Potable) Heating and Space Heating. Toxic chemicals, such as those used for boiler treatment, shall NEVER be introduced into this system. This unit may NEVER be connected to any existing heating system or component(s) previously used with a non-potable water heating appliance.



For field service, contact your professional installer or local Bradford White sales representative.

Sales / Technical Support 1-866-690-0961 / 905-203-0600

www.bradfordwhite.com

Built to be the Best™