



RESIDENTIAL GAS REPLACEMENT PARTS LIST “MIMH” Models



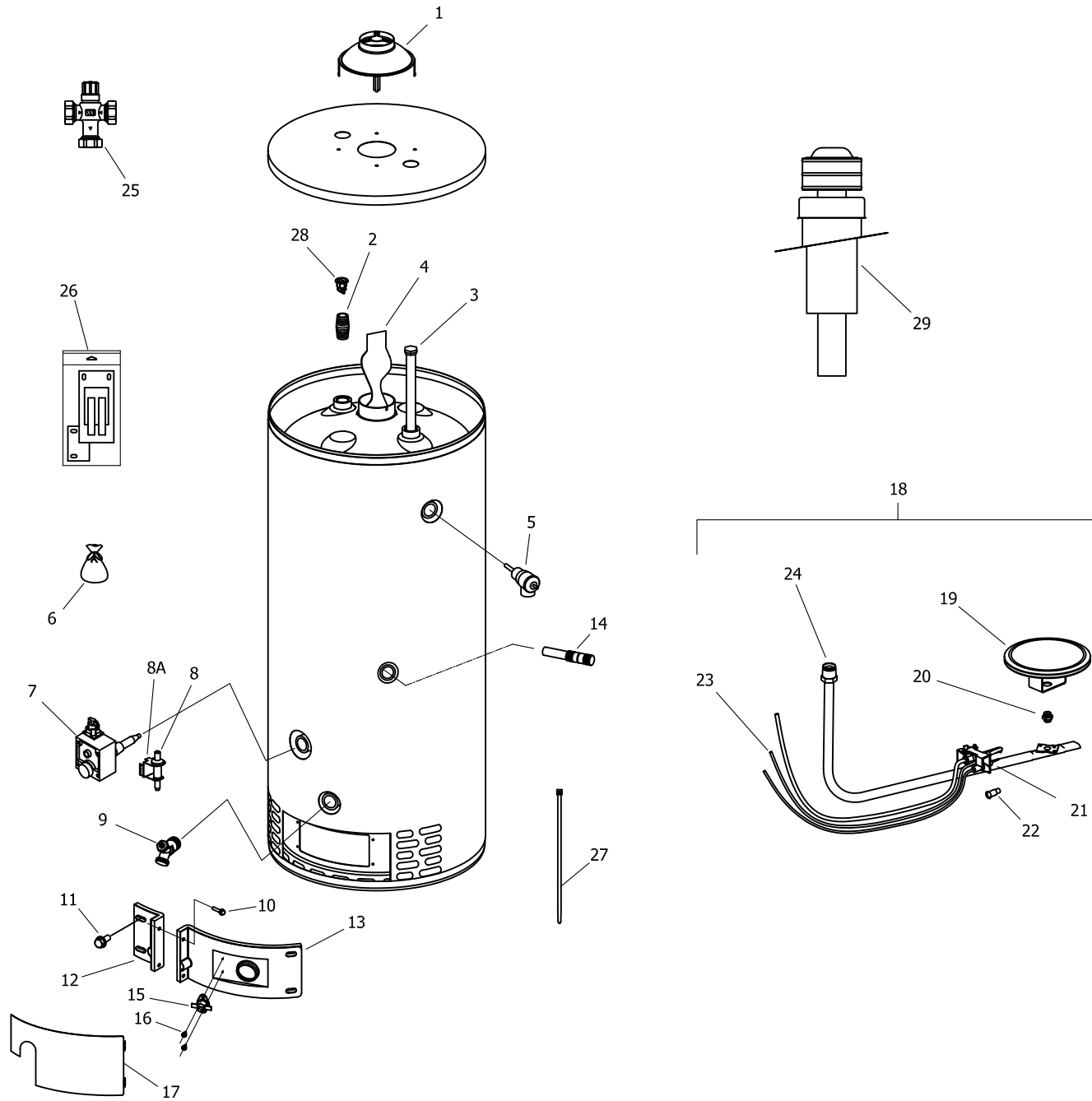
DEFENDER
SAFETY SYSTEM[®]

Includes Hydrojet[®]
Total Performance System

Effective: Oct. 26 2007
ECO 7232

**NOTE: BOTH MODEL AND SERIAL
NUMBERS ARE REQUIRED FOR
ORDERING REPLACEMENT PARTS**

Dimensions and specifications
subject to change without notice.



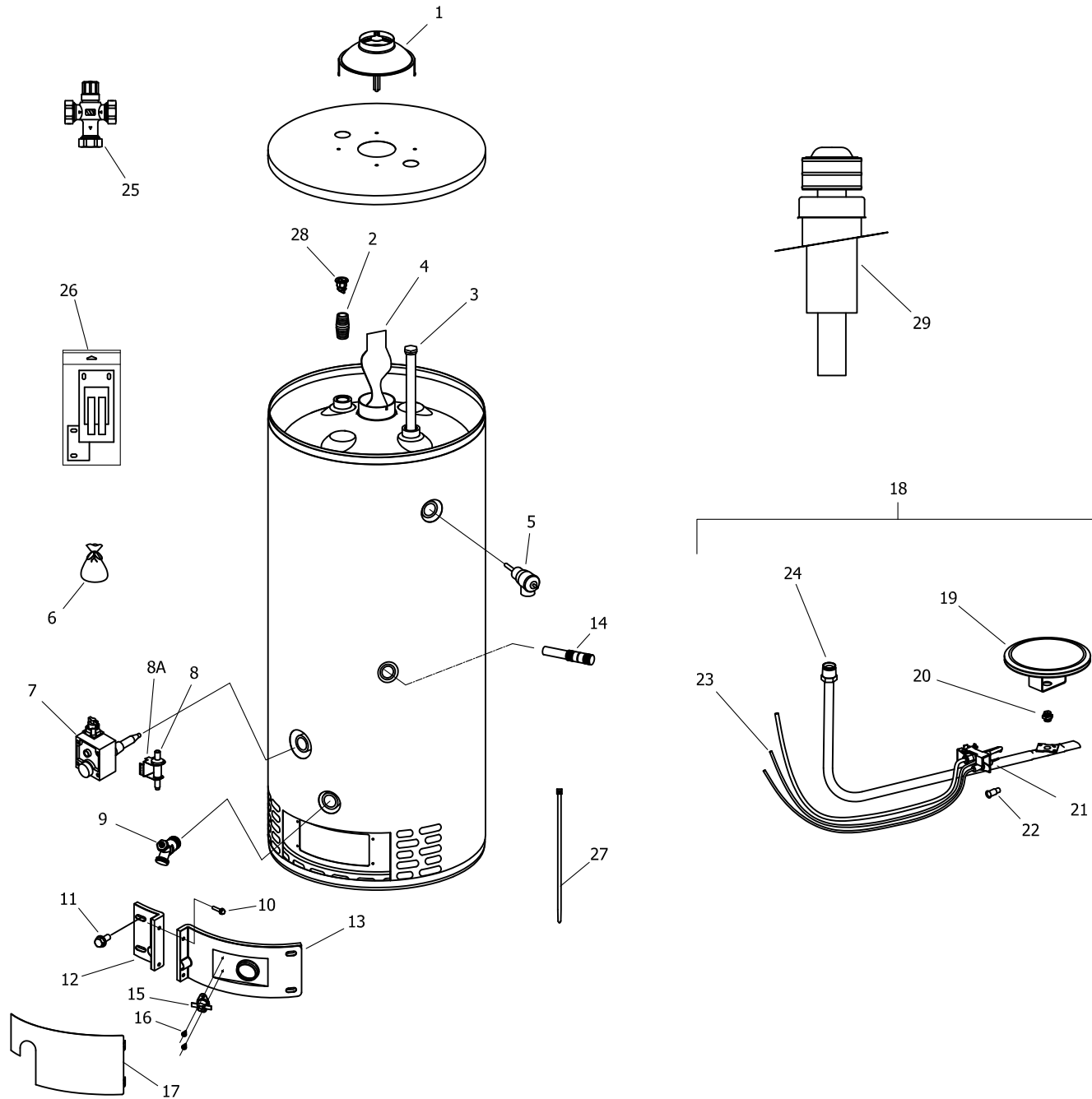
Item	Description	Model	Model
		MIMH30T*FL(N,X)	MIMH40T*FL(N,X)
1	Draft Hood	243-45787-00	243-45787-00
2	Nipple 3/4 NPT x 3 ▲	229-32762-03	229-32762-03
3	Hex Anode Magnesium 3/4 NPT	224-32758-26	224-32758-26
	Hex Anode Aluminum 3/4 NPT	224-38508-03	224-38508-03
4	Flue Baffle	243-46764-00	243-37785-33
5	T & P Valve	230-32920-01	230-32920-01
6	LP. Gas Conversion Kit	243-46928-01	243-46928-02
	LP. Gas Conversion Kit High Altitude 5000 Ft. to 8000 Ft.**	243-46928-05	243-46928-05
	Nat. Gas Conversion Kit	243-46928-03	243-46928-04
	Nat Gas Conversion Kit High Altitude 5000 Ft. to 8000 Ft.**	243-46928-06	243-46928-07
7	Nat. Gas Thermostat Convertible	222-46689-01	222-46689-01
	LP Gas Thermostat	222-46689-02	222-46689-02
8	Piezo Igniter	239-43448-00	239-43448-00
8A	Piezo Bracket White Rodgers	239-46157-03	239-46157-03
	Piezo Bracket Roberts Haw	239-46157-01	239-46157-01
9	Brass Drain Valve	265-42351-02	265-42351-02
10	Screw-#8-18 x 3/4 HWH	239-44195-00	239-44195-00
11	Screw-#10-12 x 3/4 HWH	239-44113-00	239-44113-00
12	Left Side Inner Door Complete	239-43968-14	239-43968-16
13	Right Side Inner Door Complete	243-43963-14	243-43963-03
14	Inlet Diptube 3/4 NPT X 2 X 6 1/4 (closed end)	229-36320-01	229-36320-01
15	Resettable Thermal Switch	239-43676-01	239-43676-01
16	Screw-#6-20 x 3/8 PHCR	239-43967-00	239-43967-00
17	Outer Door	243-43962-00	243-43962-00
18	Nat. Gas Burner Assembly Complete***	265-46800-01-38	243-46800-02-36
	LP Gas Burner Assembly Complete***	265-46802-01-63	243-46802-02-52
19	Gas LN Burner**	228-41174-00	228-41174-00
20	Nat. Gas Main Burner Orifice**	234-37171-38	234-37171-36
	Nat. Gas High Altitude 5000 Ft. to 8000 Ft.**	234-37171-43	234-37171-41
	LP Gas Main Burner Orifice**	234-37171-63	234-37171-52
	LP Gas High Altitude 5000 Ft. to 8000 Ft.**	234-37171-53	234-37171-53
21	Nat. Gas Pilot Assembly**	233-46277-02	233-46277-02
	LP Gas Pilot Assembly**	233-46278-01	233-46278-01
22	Nat. Gas Pilot Orifice**	234-46502-05	234-46502-05
	LP Gas Pilot Orifice**	234-46502-02	234-46502-02
23	Thermocouple**	233-46501-15	233-46501-15
24	Gas Feedline**	233-46801-01	233-46801-02
25	ASSE Approved Mixing Valve (Optional)	239-43740-01	239-43740-01
26	Inner Door Gasket Kit	239-44078-00	239-44078-00
27	Wire Tie	239-44328-00	239-44328-00

*Applies to all warranties

**Inner door gasket kit recommended

***Ordering a complete burner assembly may increase delivery time. Please order the specific component required for the quickest delivery.

▲Order with item 28



Item	Description	Model	Model
		MIMH30T*FL(N,X)	MIMH40T*FL(N,X)
28	Heat Trap Insert (Outlet)	239-45167-00	239-45167-00
29	Roof Jack 12" (Fixed)	239-37030-01	239-37030-01
	Roof Jack 18-32" (Adjustable)	239-37030-02	239-37030-02
	Roof Jack 32-60" (Adjustable)	239-37030-03	239-37030-03
	Roof Jack 48-95" (Adjustable)	239-37030-04	239-37030-04

*Applies to all warranties

**Inner door gasket kit recommended

***Ordering a complete burner assembly may increase delivery time. Please order the specific component required for the quickest delivery.

▲ Order with item 28



BRADFORD WHITE[®]

W A T E R H E A T E R S

Ambler, PA

For U.S. and Canada field service,
contact your professional installer or
local Bradford White sales representative.

Sales/800-523-2931
Fax/215-641-1670
Parts Fax/215-641-2180

Technical Support/800-334-3393
Fax/269-795-1089

Warranty/800-531-2111
Fax/269-795-1089

International:
Telephone/215-641-9400
Telefax/215-641-9750



BRADFORD WHITE-CANADA[®] INC.

Mississauga, ON

Sales/866-690-0961
905-238-0100

Fax/905-238-0105

Technical Support/800-334-3393

Email

parts@bradfordwhite.com
techserv@bradfordwhite.com

www.bradfordwhite.com