



## RESIDENTIAL AND LIGHT DUTY COMMERCIAL GAS REPLACEMENT PARTS LIST

# High-Input Direct Vent Energy Saver Models

“DH1, DH” Series



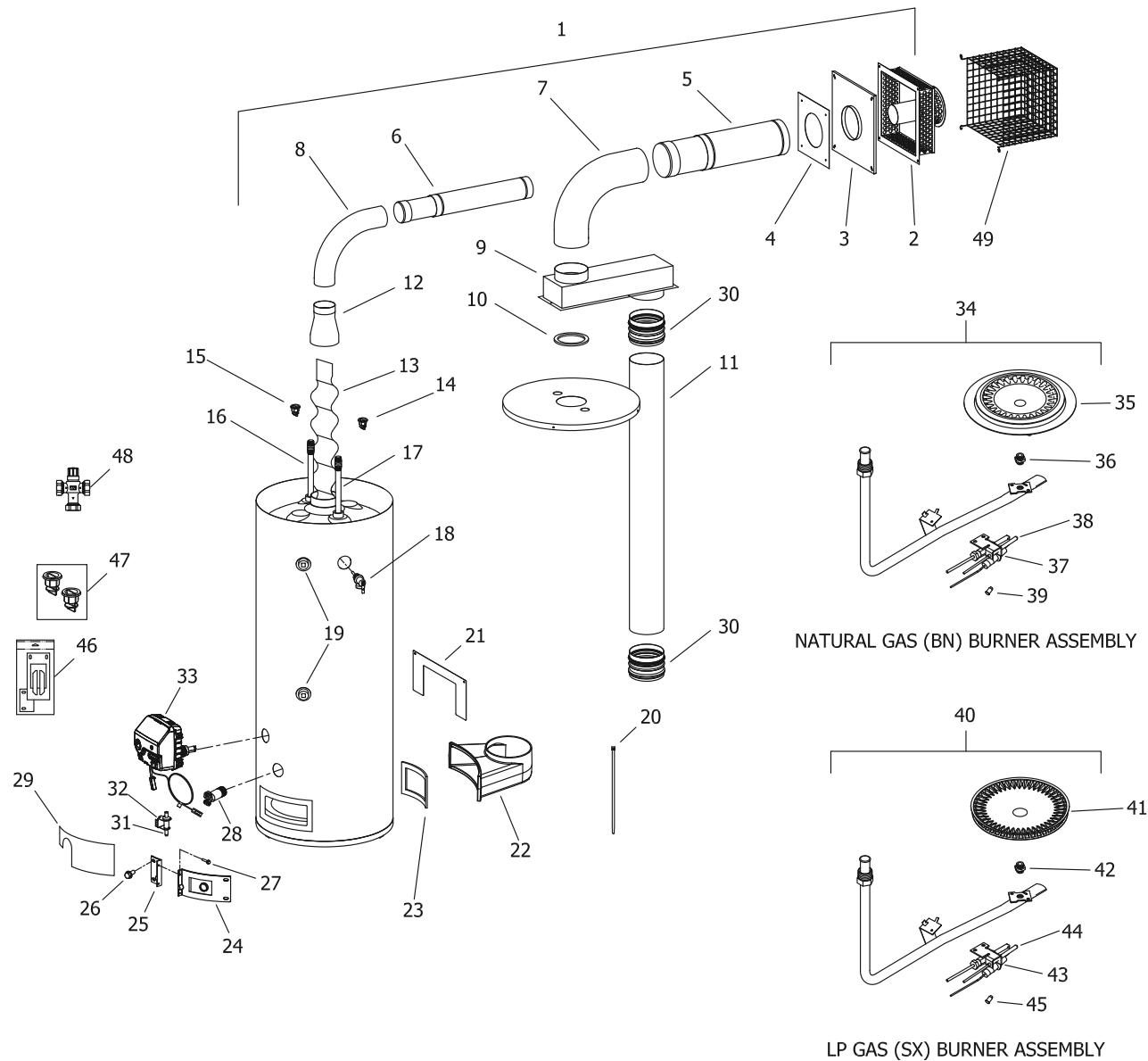
**DEFENDER**  
SAFETY SYSTEM®

Includes Hydrojet®  
Total Performance System

**Effective: August, 2013**  
**ECO 7817**

**NOTE: BOTH MODEL AND SERIAL  
NUMBERS ARE REQUIRED FOR  
ORDERING REPLACEMENT PARTS**

Dimensions and specifications  
subject to change without notice.



LP GAS (SX) BURNER ASSEMBLY TO REPLACE LP GAS (CX) BURNER ASSEMBLY  
ON ALL MODELS EXCEPT 75 GAL.

| Item | Description   | Model<br>DH50T50F<br>(B*N,C*X, S*X) | Model<br>DH50T50F(B*N, S*X)<br>(-ONLY,-FLEX,-SOLID) | Model<br>DH65T55F<br>(B*N,C*X, S*X) | Model<br>DH65T55F(B*N, S*X)<br>(-ONLY,-FLEX,-SOLID) |
|------|---|-------------------------------------|---|-------------------------------------|---|
| 1    | Aluminum (Solid)†   | 239-42980-00                        | 239-48914-00  | 239-42980-00                        | 239-48914-00  |
|      | Aluminum (Flexible)   | ---                                 | 239-48915-00  | ---                                 | 239-48915-00  |
|      | Vent package White (Solid)                                    | 239-45412-00                        | 239-45412-00  | 239-45412-00                        | 239-45412-00  |
|      | Brown (Solid)   | 239-42979-00                        | 239-42979-00  | 239-42979-00                        | 239-42979-00  |
|      | Aluminum (Flexible)   | ---                                 | 239-48915-00  | ---                                 | 239-48915-00  |
| 2    | Direct Vent-Air Intake Terminal (Aluminum)(Flexible & Solid)† | 239-42274-00                        | 239-42274-00  | 239-42274-00                        | 239-42274-00  |
|      | Direct Vent-Air Intake Terminal (Brown)(Flexible & Solid)     | 239-42832-00                        | 239-42832-00  | 239-42832-00                        | 239-42832-00  |
|      | Direct Vent-Air Intake Terminal (White)(Flexible & Solid)     | 239-45413-00                        | 239-45413-00  | 239-45413-00                        | 239-45413-00  |
| 3    | Outer Wall Mounting Plate (Aluminum)(Flexible & Solid)†       | 239-42447-00                        | 239-42447-00  | 239-42447-00                        | 239-42447-00  |
|      | Outer Wall Mounting Plate (Brown)(Flexible & Solid)           | 239-42833-00                        | 239-42833-00  | 239-42833-00                        | 239-42833-00  |
|      | Outer Wall Mounting Plate (White)(Flexible & Solid)           | 239-45414-00                        | 239-45414-00  | 239-45414-00                        | 239-45414-00  |
| 4    | Backing Plate   | 239-42449-00                        | 239-42449-00  | 239-42449-00                        | 239-42449-00  |
| 5    | Six inch Diameter Telescopic Air Intake Tube (Solid Only)     | 239-42459-00                        | 239-42459-00  | 239-42459-00                        | 239-42459-00  |
| 6    | Four inch Diameter Telescopic Vent Tube (Solid Only)          | 239-42460-00                        | 239-42460-00  | 239-42460-00                        | 239-42460-00  |
| 7    | Six inch Diameter Elbow (Solid Only)                          | 239-42067-00                        | 239-42067-00  | 239-42067-00                        | 239-42067-00  |
| 8    | Four inch Diameter Elbow (Solid Only)                         | 239-42068-00                        | 239-42068-00  | 239-42068-00                        | 239-42068-00  |
| 9    | Plenum  | 239-42069-01                        | 239-47668-01  | 239-42069-02                        | 239-47668-02  |
| 10   | Plenum Gasket   | 239-41070-02                        | 239-41070-02  | 239-41070-02                        | 239-41070-02  |
| 11   | Air Intake Tube   | 239-41012-02                        | 239-50099-02 †                                      | 239-41012-03                        | 239-50099-03 †                                      |
| 12   | Flue Reducer  | 239-42066-00                        | 239-42066-00  | 239-42066-00                        | 239-42066-00  |
| 13   | Flue Baffle   | 243-44646-00                        | 243-47510-00  | 243-44650-00                        | 243-44650-00  |
| 14   | Heat Trap Insert (Inlet)                                      | 239-45073-00                        | 239-45073-00  | 239-45073-00                        | 239-45073-00  |
| 15   | Heat Trap Insert (Outlet)                                     | 239-45167-00                        | 239-45167-00  | 239-45167-00                        | 239-45167-00  |
| 16   | Hot Water Outlet Anode Magnesium ▲                            | 224-47776-12                        | 224-47776-12  | 224-47776-13                        | 224-47776-13  |
|      | Aluminum ▲  | 224-32999-30                        | 224-32999-30  | 224-32999-30                        | 224-32999-30  |
|      | A420 Aluminum ▲ #   | 224-49560-08                        | 224-49560-08  | 224-49560-08                        | 224-49560-08  |
| 17   | Cold Water Inlet Dip Tube Polypropylene ▲ ▲                   | 229-39625-20                        | 229-39625-20  | 229-39625-19                        | 229-39625-19  |
|      | Polysulfone (NC Code) ▲ ▲                                     | 229-39628-20                        | 229-39628-20  | 229-39628-19                        | 229-39628-19  |
| 18   | T&P Relief Valve  | 230-32920-01                        | 230-32920-01  | 230-32920-01                        | 230-32920-01  |
| 19   | 3/4 NPT Plug  | 239-11638-00                        | 239-11638-00  | 239-11638-00                        | 239-11638-00  |
| 20   | Wire Tie  | 239-44328-00                        | 239-44328-00  | 239-44328-00                        | 239-44328-00  |
| 21   | Direct Vent Boot Escutcheon                                   | 243-46922-00                        | ---   | 243-46922-00                        | ---   |
| 22   | Air Intake Boot   | 239-46755-01                        | 239-47771-18  | 239-46755-02                        | 239-47771-20  |
| 23   | Air Intake Boot Gasket  | 223-41067-00                        | w/ Intake Boot                                      | 223-41067-00                        | w/ Intake Boot                                      |
| 24   | Right Side Inner Door   | 239-45642-18                        | 239-45642-18  | 239-45642-20                        | 239-45642-20  |
| 25   | Left Side Inner Door  | 239-43968-18                        | 239-43968-18  | 239-43968-20                        | 239-43968-20  |
| 26   | Screw-#10-12 x 3/4 HWH  | 239-44113-00                        | 239-44113-00  | 239-44113-00                        | 239-44113-00  |
| 27   | Screw-#8-18 x 3/4 HWH   | 239-44195-00                        | 239-44195-00  | 239-44195-00                        | 239-44195-00  |
| 28   | Brass Drain Valve   | 265-42351-02                        | 265-42351-02  | 265-42351-02                        | 265-42351-02  |
| 29   | Outer Door  | 243-43962-00                        | 243-43962-00  | 243-43962-00                        | 243-43962-00  |
| 30   | Coupler (2 Required) †  | ---                                 | 239-50102-00 †                                      | ---                                 | 239-50102-00 †                                      |

\*Applies to all warranties

\*\*Inner door gasket kit recommended

\*\*\*Ordering a complete burner assembly may increase delivery time. Please order the specific component required for the quickest delivery.

# A420 Anode may need to be cut to length

† Air intake tube (item 11) should be purchased with coupler (item 30).

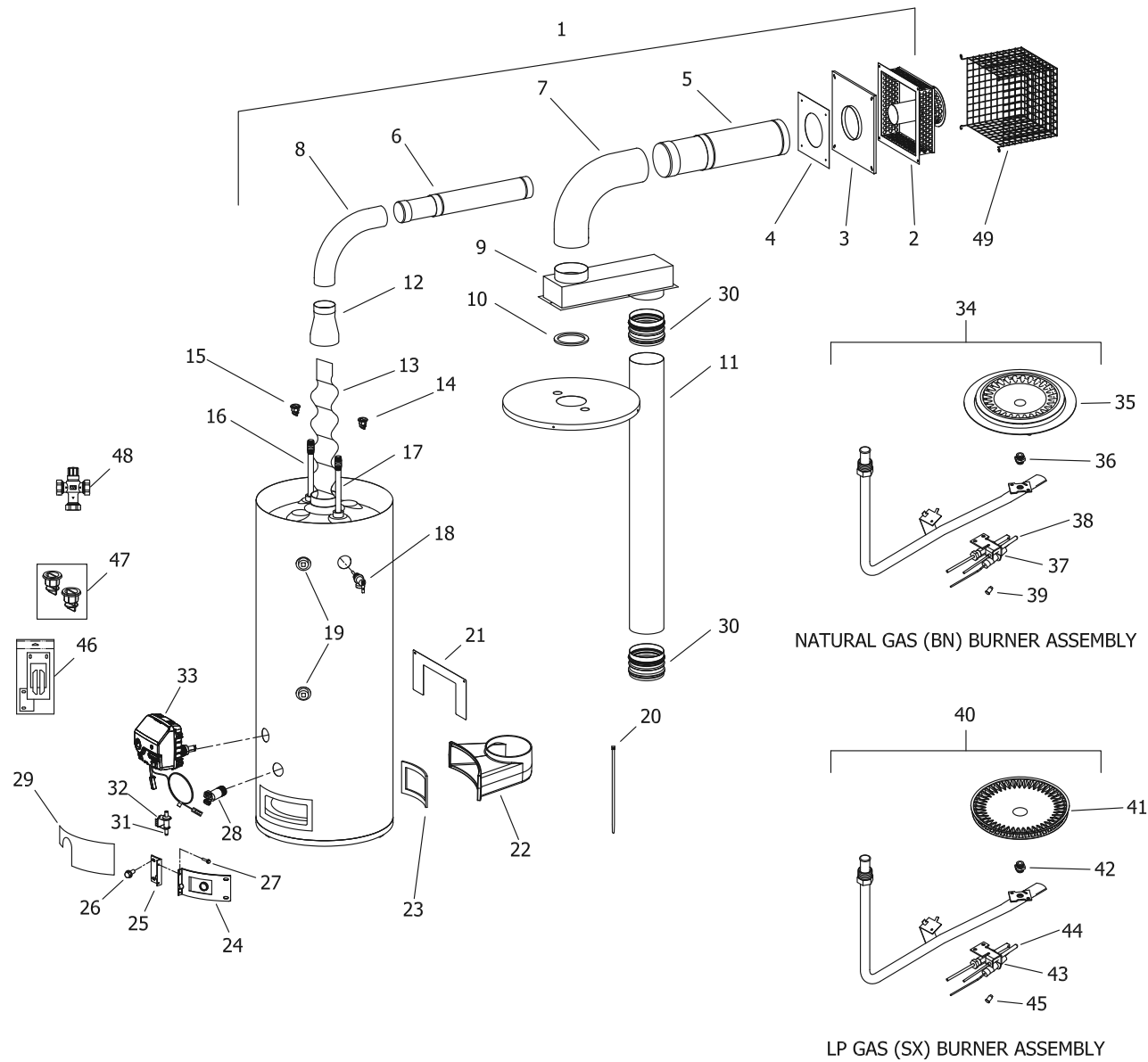
▲ Order with item 15

▲▲ Order with item 14

<sup>1</sup> For serial numbers PRIOR to FK12504331

<sup>2</sup> For serial numbers AFTER and INCLUDING FK12504331.

† Aluminum vent kits are standard



LP GAS (SX) BURNER ASSEMBLY TO REPLACE LP GAS (CX) BURNER ASSEMBLY  
ON ALL MODELS EXCEPT 75 GAL.

| Item | Description                                      | Model<br>DH50T50F<br>(B*N,C*X, S*X) | Model<br>DH50T50F(B*N, S*X)<br>(-ONLY,-FLEX,-SOLID) | Model<br>DH65T55F<br>(B*N,C*X, S*X) | Model<br>DH65T55F(B*N, S*X)<br>(-ONLY,-FLEX,-SOLID) |
|------|--|-------------------------------------|---|-------------------------------------|---|
| 31   | Piezo Igniter (White Rodgers)                    | 239-43448-00                        | 239-43448-00  | 239-43448-00                        | 239-43448-00  |
| 32   | Piezo Igniter Bracket (White Rodgers)            | 239-46157-02                        | 239-46157-02  | 239-46157-02                        | 239-46157-02  |
| 33   | Gas Control Direct Replacement Natural Gas       | 239-47464-01                        | 239-47464-01  | 239-47464-01                        | 239-47464-01  |
|      | Gas Control Direct Replacement LP Gas            | 239-47466-01                        | 239-47466-01  | 239-47466-01                        | 239-47466-01  |
|      | Gas Control Universal Replacement Natural Gas    | 239-47857-00                        | 239-47857-00  | 239-47857-00                        | 239-47857-00  |
|      | Gas Control Universal Replacement LP Gas         | 239-47858-00                        | 239-47858-00  | 239-47858-00                        | 239-47858-00  |
|      | <b>Natural Gas BN Burner Assembly</b>            |                                     |   |                                     |   |
| 34   | Nat. Gas Burner Assembly Complete***             | 265-47439-07-31                     | 265-47970-01-31 <sup>1</sup>                        | 265-47439-10-30                     | 265-47970-02-30 <sup>1</sup>                        |
|      | Nat. Gas Burner Assembly Complete***             | ---                                 | 265-48110-01-31 <sup>2</sup>                        | ---                                 | 265-48110-02-30 <sup>2</sup>                        |
| 35   | Nat. Gas BN Burner**                             | 228-42506-00                        | 228-42506-00  | 228-42506-00                        | 228-42506-00  |
| 36   | Nat. Gas Main Burner Orifice**                   | 234-41034-31                        | 234-41034-31  | 234-41034-30                        | 234-41034-30  |
|      | Nat. Gas High Altitude 2001 Ft. to 5000 Ft.**    | 234-41034-33                        | 234-41034-33  | 234-41034-31                        | 234-41034-31  |
|      | Nat. Gas High Altitude 5001 Ft. to 8000 Ft.**    | 234-41034-36                        | 234-41034-36  | 234-41034-32                        | 234-41034-32  |
|      | Nat. Gas High Altitude Over 8000 Ft.**           | 234-41034-38                        | 234-41034-38  | 234-41034-33                        | 234-41034-33  |
| 37   | Nat. Gas Pilot Assembly (White Rodgers)**        | 233-46277-04                        | 233-46277-04  | 233-46277-04                        | 233-46277-04  |
|      | Nat. Gas Pilot Assembly (Honeywell)**            | 233-48077-03                        | 233-48077-03  | 233-48077-03                        | 233-48077-03  |
| 38   | Thermocouple (White Rodgers)**                   | 233-46501-24                        | 233-46501-24  | 233-46501-24                        | 233-46501-24  |
| 39   | Nat. Gas Pilot Orifice (White Rodgers)**         | 234-46502-05                        | 234-46502-05  | 234-46502-05                        | 234-46502-05  |
|      | <b>LP Gas SX Burner Assembly</b>                 |                                     | <b>Replacement for LP Gas Cast Iron Burner</b>      |                                     |   |
| 40   | LP Gas Burner Assembly Complete***               | 265-47440-12-47                     | 265-47972-01-47 <sup>1</sup>                        | 265-47440-18-46                     | 265-47972-02-46 <sup>1</sup>                        |
|      | LP Gas Burner Assembly Complete***               | ---                                 | 265-48303-01-47 <sup>2</sup>                        | ---                                 | 265-48303-02-46 <sup>2</sup>                        |
| 41   | LP Gas SX Burner**                               | 228-47000-00                        | 228-47000-00  | 228-47000-00                        | 228-47000-00  |
| 42   | LP Gas SX Main Burner Orifice**                  | 234-47064-47                        | 234-47064-47  | 234-47064-46                        | 234-47064-46  |
|      | LP Gas SX High Altitude 2001 Ft. to 5000 Ft.**   | 234-47064-49                        | 234-47064-49  | 234-47064-48                        | 234-47064-48  |
|      | LP Gas SX High Altitude 5001 Ft. to 8000 Ft.**   | 234-47064-50                        | 234-47064-50  | 234-47064-49                        | 234-47064-49  |
|      | LP Gas SX High Altitude Over 8000 Ft.**          | 234-47064-51                        | 234-47064-51  | 234-47064-50                        | 234-47064-50  |
| 43   | LP Gas SX Pilot Assembly (White Rodgers)**       | 233-46278-03                        | 233-46278-03  | 233-46278-03                        | 233-46278-03  |
|      | LP Gas SX Pilot Assembly (Honeywell)**           | 233-48078-03                        | 233-48078-03  | 233-48078-03                        | 233-48078-03  |
| 44   | Thermocouple (White Rodgers)**                   | 233-46501-24                        | 233-46501-24  | 233-46501-24                        | 233-46501-24  |
| 45   | LP Gas SX Pilot Orifice (White Rodgers)**        | 234-46502-02                        | 234-46502-02  | 234-46502-02                        | 234-46502-02  |
| 46   | Inner Door Gasket Kit                            | 239-44078-00                        | 239-44078-00  | 239-44078-00                        | 239-44078-00  |
| 47   | Heat Trap Insert Kit                             | 265-45419-00                        | 265-45419-00  | 265-45419-00                        | 265-45419-00  |
| 48   | ASSE Approved Mixing Valve (Optional)            | 239-43740-01                        | 239-43740-01  | 239-43740-01                        | 239-43740-01  |
| 49   | Direct Vent-Air Intake Terminal Guard (Optional) | 239-41453-00                        | 239-41453-00  | 239-41453-00                        | 239-41453-00  |
| -    | LP to Natural Gas Conversion Kit (Norm Alt.)     | 265-45712-41                        | 265-45712-61  | 265-45712-42                        | 265-45712-62  |
| -    | LP to Natural Gas Conversion Kit (High Alt.)     | 265-45712-44                        | 265-45712-64  | 265-45712-45                        | 265-45712-65  |

\*Applies to all warranties

\*\*Inner door gasket kit recommended

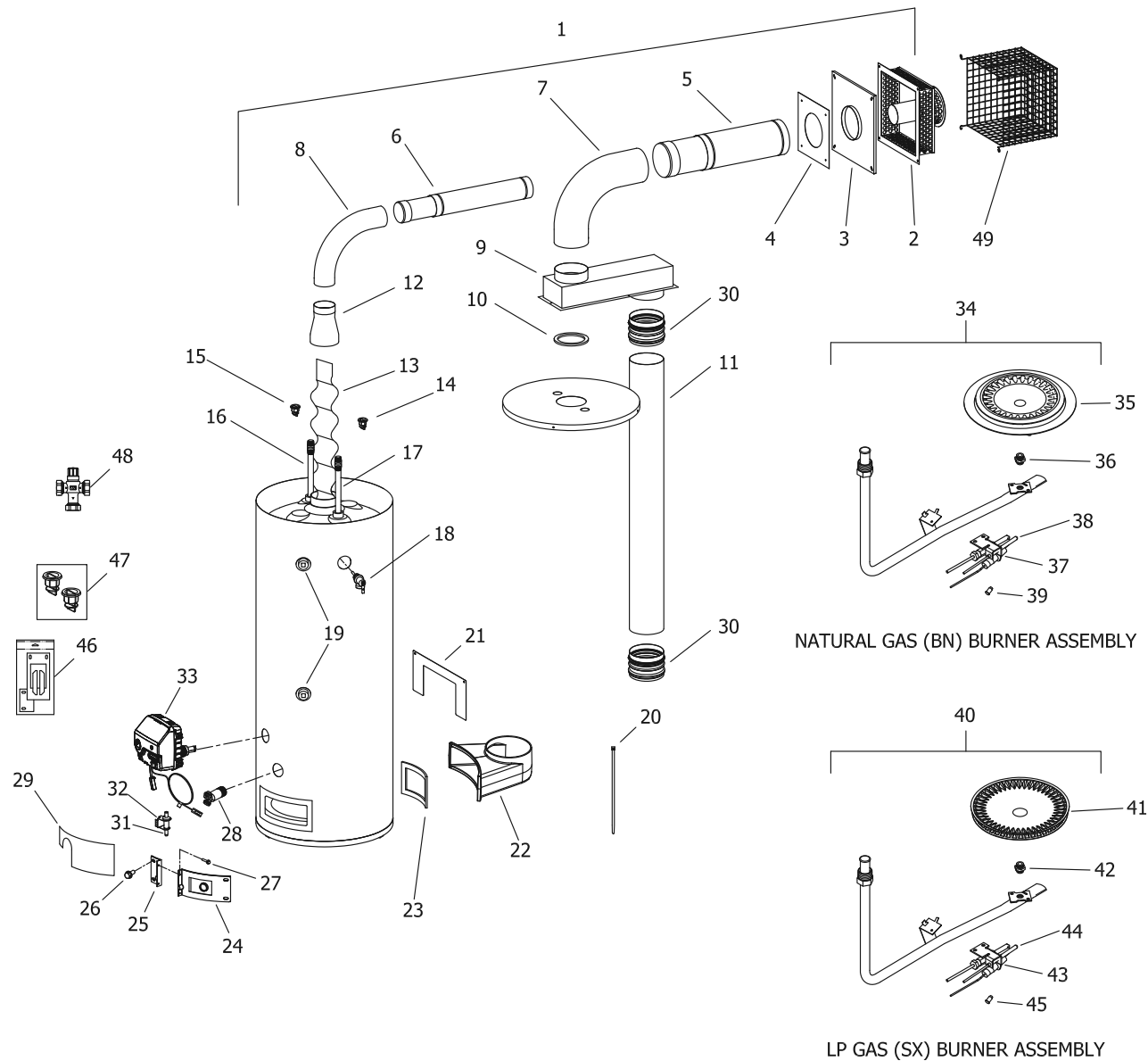
\*\*\*Ordering a complete burner assembly may increase delivery time. Please order the specific component required for the quickest delivery.

▲ Order with item 15

▲▲ Order with item 14

<sup>1</sup> For serial numbers PRIOR to FK12504331

<sup>2</sup> For serial numbers AFTER and INCLUDING FK12504331.



LP GAS (SX) BURNER ASSEMBLY TO REPLACE LP GAS (CX) BURNER ASSEMBLY  
ON ALL MODELS EXCEPT 75 GAL.

| Item | Description   | Model<br>DH75T60F<br>(B*N,C*X, S*X) | Model<br>DH75T60F(B*N,S*X)<br>(-ONLY,-FLEX,-SOLID) | Model<br>DH1504T*F<br>(BN,CX, SX) | Model<br>DH1504T*F(BN,SX)<br>(-ONLY,-FLEX,-SOLID) |
|------|---|-------------------------------------|--|-----------------------------------|---|
| 1    | Aluminum (Solid)†   | 239-42980-00                        | 239-48914-00                                       | 239-42980-00                      | 239-48914-00                                      |
|      | Aluminum (Flexible)   | ---                                 | 239-48915-00                                       | ---                               | 239-48915-00                                      |
|      | Vent package White (Solid)                                    | 239-45412-00                        | 239-45412-00                                       | 239-45412-00                      | 239-45412-00                                      |
|      | Brown (Solid)   | 239-42979-00                        | 239-42979-00                                       | 239-42979-00                      | 239-42979-00                                      |
|      | Aluminum (Flexible)   | ---                                 | 239-48915-00                                       | ---                               | 239-48915-00                                      |
| 2    | Direct Vent-Air Intake Terminal (Aluminum)(Flexible & Solid)† | 239-42274-00                        | 239-42274-00                                       | 239-42274-00                      | 239-42274-00                                      |
|      | Direct Vent-Air Intake Terminal (Brown)(Flexible & Solid)     | 239-42832-00                        | 239-42832-00                                       | 239-42832-00                      | 239-42832-00                                      |
|      | Direct Vent-Air Intake Terminal (White)(Flexible & Solid)     | 239-45413-00                        | 239-45413-00                                       | 239-45413-00                      | 239-45413-00                                      |
| 3    | Outer Wall Mounting Plate (Aluminum)(Flexible & Solid)†       | 239-42447-00                        | 239-42447-00                                       | 239-42447-00                      | 239-42447-00                                      |
|      | Outer Wall Mounting Plate (Brown)(Flexible & Solid)           | 239-42833-00                        | 239-42833-00                                       | 239-42833-00                      | 239-42833-00                                      |
|      | Outer Wall Mounting Plate (White)(Flexible & Solid)           | 239-45414-00                        | 239-45414-00                                       | 239-45414-00                      | 239-45414-00                                      |
| 4    | Backing Plate   | 239-42449-00                        | 239-42449-00                                       | 239-42449-00                      | 239-42449-00                                      |
| 5    | Six inch Diameter Telescopic Air Intake Tube (Solid Only)     | 239-42459-00                        | 239-42459-00                                       | 239-42459-00                      | 239-42459-00                                      |
| 6    | Four inch Diameter Telescopic Vent Tube (Solid Only)          | 239-42460-00                        | 239-42460-00                                       | 239-42460-00                      | 239-42460-00                                      |
| 7    | Six inch Diameter Elbow (Solid Only)                          | 239-42067-00                        | 239-42067-00                                       | 239-42067-00                      | 239-42067-00                                      |
| 8    | Four inch Diameter Elbow (Solid Only)                         | 239-42068-00                        | 239-42068-00                                       | 239-42068-00                      | 239-42068-00                                      |
| 9    | Plenum  | 239-42069-03                        | 239-47668-03                                       | 239-42069-01                      | 239-47668-01                                      |
| 10   | Plenum Gasket   | 239-41070-02                        | 239-41070-02                                       | 239-41070-02                      | 239-41070-02                                      |
| 11   | Air Intake Tube   | 239-41012-02                        | 239-50099-02 †                                     | 239-41012-02                      | 239-50099-02 †                                    |
| 12   | Flue Reducer  | 239-42066-00                        | 239-42066-00                                       | 239-42066-00                      | 239-42066-00                                      |
| 13   | Flue Baffle   | 243-42062-00                        | 243-47509-00                                       | 243-44646-00                      | 243-47510-00                                      |
| 14   | Heat Trap Insert (Inlet)                                      | 239-45073-00                        | 239-45073-00                                       | 239-45073-00                      | 239-45073-00                                      |
| 15   | Heat Trap Insert (Outlet)                                     | 239-45167-00                        | 239-45167-00                                       | 239-45167-00                      | 239-45167-00                                      |
| 16   | Hot Water Outlet Anode Magnesium ▲                            | 224-47776-12                        | 224-47776-12                                       | 224-47776-12                      | 224-47776-12                                      |
|      | Aluminum ▲  | 224-32999-30                        | 224-32999-30                                       | 224-32999-30                      | 224-32999-30                                      |
|      | A420 Aluminum ▲ #   | 224-49560-08                        | 224-49560-08                                       | 224-49560-08                      | 224-49560-08                                      |
| 17   | Cold Water Inlet Dip Tube Polypropylene ▲ ▲                   | 229-39625-19                        | 229-39625-19                                       | 229-39625-18                      | 229-39625-18                                      |
|      | Polysulfone (NC Code) ▲ ▲                                     | 229-39628-19                        | 229-39628-19                                       | 229-39628-18                      | 229-39628-18                                      |
| 18   | T&P Relief Valve  | 230-32920-01                        | 230-32920-01                                       | 230-32920-01                      | 230-32920-01                                      |
| 19   | 3/4 NPT Plug  | 239-11638-00                        | 239-11638-00                                       | 239-11638-00                      | 239-11638-00                                      |
| 20   | Wire Tie  | 239-44328-00                        | 239-44328-00                                       | 239-44328-00                      | 239-44328-00                                      |
| 21   | Direct Vent Boot Escutcheon                                   | 243-46922-00                        | ---  | 243-46922-00                      | ---   |
| 22   | Air Intake Boot   | 239-46755-03                        | 239-47771-22                                       | 239-46755-01                      | 239-47771-18                                      |
| 23   | Air Intake Boot Gasket  | 223-41067-00                        | w/ Intake Boot                                     | 223-41067-00                      | w/ Intake Boot                                    |
| 24   | Right Side Inner Door   | 239-45642-20                        | 239-47504-22                                       | 239-45642-18                      | 239-45642-18                                      |
| 25   | Left Side Inner Door  | 239-43968-20                        | 239-43968-20                                       | 239-43968-18                      | 239-43968-18                                      |
| 26   | Screw-#10-12 x 3/4 HWH  | 239-44113-00                        | 239-44113-00                                       | 239-44113-00                      | 239-44113-00                                      |
| 27   | Screw-#8-18 x 3/4 HWH   | 239-44195-00                        | 239-44195-00                                       | 239-44195-00                      | 239-44195-00                                      |
| 28   | Brass Drain Valve   | 265-42351-02                        | 265-42351-02                                       | 265-42351-02                      | 265-42351-02                                      |
| 29   | Outer Door  | 243-43962-00                        | 243-43962-00                                       | 243-43962-00                      | 243-43962-00                                      |
| 30   | Coupler (2 Required) †  | ---                                 | 239-50102-00 †                                     | ---                               | 239-50102-00 †                                    |

\*Applies to all warranties

\*\*Inner door gasket kit recommended

\*\*\*Ordering a complete burner assembly may increase delivery time. Please order the specific component required for the quickest delivery.

# A420 Anode may need to be cut to length

† Air intake tube (item 11) should be purchased with coupler (item 30).

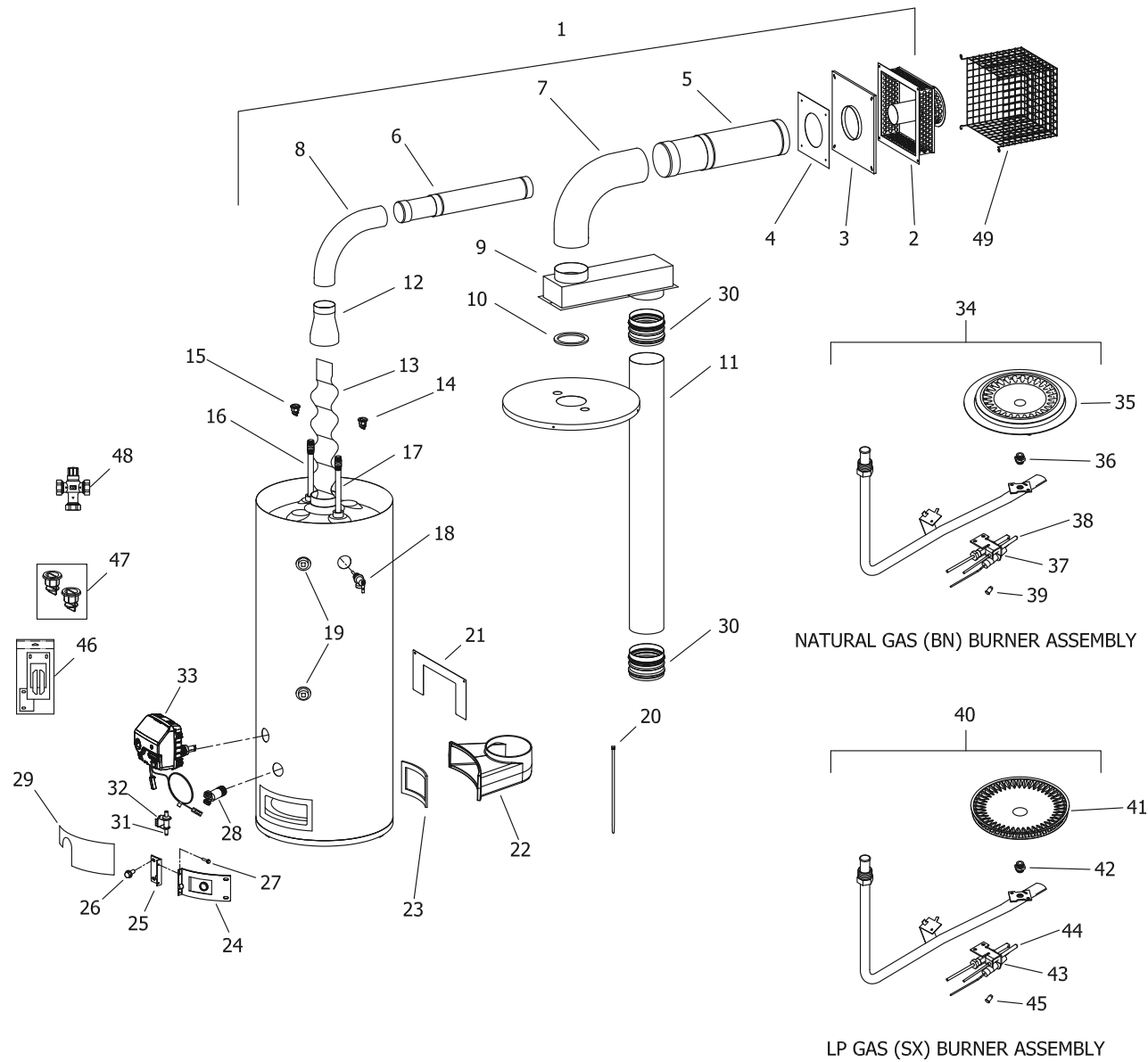
▲ Order with item 15

▲▲ Order with item 14

<sup>1</sup> For serial numbers PRIOR to FK12504331

<sup>2</sup> For serial numbers AFTER and INCLUDING FK12504331.

† Aluminum vent kits are standard



LP GAS (SX) BURNER ASSEMBLY TO REPLACE LP GAS (CX) BURNER ASSEMBLY  
ON ALL MODELS EXCEPT 75 GAL.



| Item | Description                                      | Model<br>DH75T60F<br>(B*N,C*X, S*X) | Model<br>DH75T60F(B*N,S*X)<br>(-ONLY,-FLEX,-SOLID) | Model<br>DH1504T*F<br>(BN,CX, SX) | Model<br>DH1504T*F(BN,SX)<br>(-ONLY,-FLEX,-SOLID) |
|------|--|-------------------------------------|--|-----------------------------------|---|
| 31   | Piezo Igniter (White Rodgers)                    | 239-43448-00                        | 239-43448-00                                       | 239-43448-00                      | 239-43448-00                                      |
| 32   | Piezo Igniter Bracket (White Rodgers)            | 239-46157-02                        | 239-46157-02                                       | 239-46157-02                      | 239-46157-02                                      |
| 33   | Gas Control Direct Replacement Natural Gas       | 239-47464-01                        | 239-47464-01                                       | 239-47463-01                      | 239-47463-01                                      |
|      | Gas Control Direct Replacement LP Gas            | 239-47466-01                        | 239-47466-01                                       | 239-47465-01                      | 239-47465-01                                      |
|      | Gas Control Universal Replacement Natural Gas    | 239-47857-00                        | 239-47857-00                                       | 239-47851-00                      | 239-47851-00                                      |
|      | Gas Control Universal Replacement LP Gas         | 239-47858-00                        | 239-47858-00                                       | 239-47856-00                      | 239-47856-00                                      |
|      | <b>Natural Gas BN Burner Assembly</b>            |                                     |  |                                   |   |
| 34   | Nat. Gas Burner Assembly Complete***             | 265-43971-06-29                     | 265-47970-03-29 <sup>1</sup>                       | 265-47439-07-31                   | 265-47970-01-31 <sup>1</sup>                      |
|      | Nat. Gas Burner Assembly Complete***             | ---                                 | 265-48110-03-29 <sup>2</sup>                       | ---                               | 265-48110-01-31 <sup>2</sup>                      |
| 35   | Nat. Gas BN Burner**                             | 228-42506-00                        | 228-42506-00                                       | 228-42506-00                      | 228-42506-00                                      |
| 36   | Nat. Gas Main Burner Orifice**                   | 234-41034-29                        | 234-41034-29                                       | 234-41034-31                      | 234-41034-31                                      |
|      | Nat. Gas High Altitude 2001 Ft. to 5000 Ft.**    | 234-41034-30                        | 234-41034-30                                       | 234-41034-33                      | 234-41034-33                                      |
|      | Nat. Gas High Altitude 5001 Ft. to 8000 Ft.**    | 234-41034-31                        | 234-41034-31                                       | 234-41034-36                      | 234-41034-36                                      |
|      | Nat. Gas High Altitude Over 8000 Ft.**           | 234-41034-31                        | 234-41034-31                                       | 234-41034-38                      | 234-41034-38                                      |
| 37   | Nat. Gas Pilot Assembly (White Rodgers)**        | 233-46277-04                        | 233-41062-03                                       | 233-46277-04                      | 233-46277-04                                      |
|      | Nat. Gas Pilot Assembly (Honeywell)**            | 233-48077-03                        | 233-48077-03                                       | 233-48077-03                      | 233-48077-03                                      |
| 38   | Thermocouple (White Rodgers)**                   | 233-46501-24                        | 233-46501-24                                       | 233-46501-24                      | 233-46501-24                                      |
| 39   | Nat. Gas Pilot Orifice (White Rodgers)**         | 234-46502-05                        | 234-46502-05                                       | 234-46502-05                      | 234-46502-05                                      |
|      | <b>LP Gas SX Burner Assembly</b>                 |                                     | <b>Replacement for LP Gas Cast Iron Burner</b>     |                                   |   |
| 40   | LP Gas Burner Assembly Complete***               | 265-47118-04-43                     | 265-47972-03-43 <sup>1</sup>                       | 265-47440-12-47                   | 265-47972-01-47 <sup>1</sup>                      |
|      | LP Gas Burner Assembly Complete***               | ---                                 | 265-48303-03-43 <sup>2</sup>                       | ---                               | 265-48303-01-47 <sup>2</sup>                      |
| 41   | LP Gas SX Burner**                               | 228-47000-00                        | 228-47000-00                                       | 228-47000-00                      | 228-47000-00                                      |
| 42   | LP Gas SX Main Burner Orifice**                  | 234-47064-43                        | 234-47064-43                                       | 234-47064-47                      | 234-47064-47                                      |
|      | LP Gas SX High Altitude 2001 Ft. to 5000 Ft.**   | 234-47064-46                        | 234-47064-46                                       | 234-47064-49                      | 234-47064-49                                      |
|      | LP Gas SX High Altitude 5001 Ft. to 8000 Ft.**   | 234-47064-47                        | 234-47064-47                                       | 234-47064-50                      | 234-47064-50                                      |
|      | LP Gas SX High Altitude Over 8000 Ft.**          | 234-47064-47                        | 234-47064-47                                       | 234-47064-51                      | 234-47064-51                                      |
| 43   | LP Gas SX Pilot Assembly (White Rodgers)**       | 233-41063-03                        | 233-41063-03                                       | 233-46278-03                      | 233-46278-03                                      |
|      | LP Gas SX Pilot Assembly (Honeywell)**           | 233-48078-03                        | 233-48078-03                                       | 233-48078-03                      | 233-48078-03                                      |
| 44   | Thermocouple (White Rodgers)**                   | 233-46501-24                        | 233-46501-24                                       | 233-46501-24                      | 233-46501-24                                      |
| 45   | LP Gas SX Pilot Orifice (White Rodgers)**        | 233-46502-02                        | 233-46502-02                                       | 234-46502-02                      | 234-46502-02                                      |
| 46   | Inner Door Gasket Kit                            | 239-44078-00                        | 239-47792-00                                       | 239-44078-00                      | 239-44078-00                                      |
| 47   | Heat Trap Insert Kit                             | 265-45419-00                        | 265-45419-00                                       | 265-45419-00                      | 265-45419-00                                      |
| 48   | ASSE Approved Mixing Valve (Optional)            | 239-43740-01                        | 239-43740-01                                       | 239-43740-01                      | 239-43740-01                                      |
| 49   | Direct Vent-Air Intake Terminal Guard (Optional) | 239-41453-00                        | 239-41453-00                                       | 239-41453-00                      | 239-41453-00                                      |
| -    | LP to Natural Gas Conversion Kit (Norm Alt.)     | 265-45712-43                        | 265-45712-63                                       | 265-45712-33                      | 265-45712-53                                      |
| -    | LP to Natural Gas Conversion Kit (High Alt.)     | 265-45712-46                        | 265-45712-66                                       | 265-45712-38                      | 265-45712-58                                      |

\*Applies to all warranties

\*\*Inner door gasket kit recommended

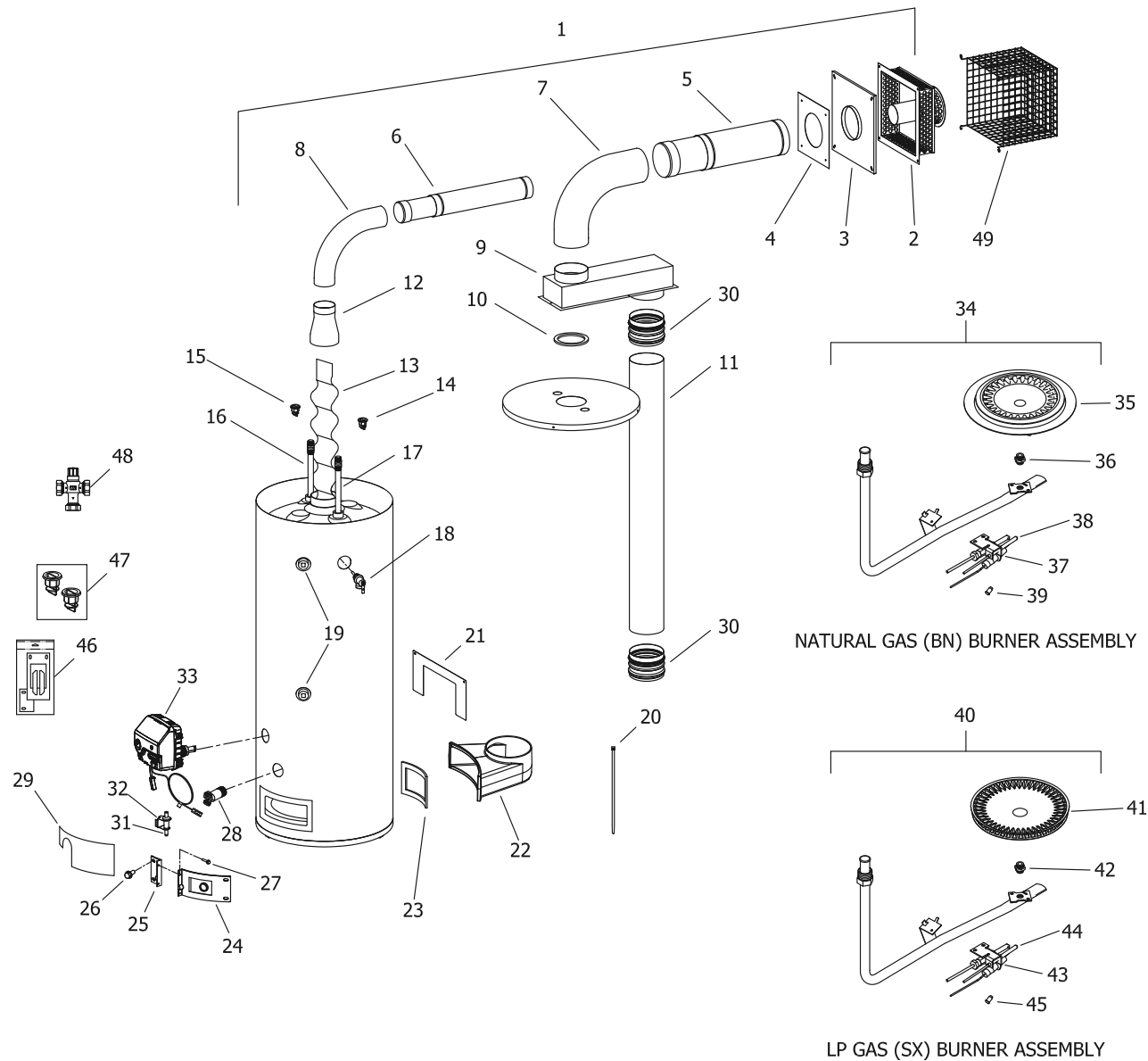
\*\*\*Ordering a complete burner assembly may increase delivery time. Please order the specific component required for the quickest delivery.

▲ Order with item 15

▲▲ Order with item 14

<sup>1</sup> For serial numbers PRIOR to FK12504331

<sup>2</sup> For serial numbers AFTER and INCLUDING FK12504331.



LP GAS (SX) BURNER ASSEMBLY TO REPLACE LP GAS (CX) BURNER ASSEMBLY  
ON ALL MODELS EXCEPT 75 GAL.

| Item | Description   | Model<br>DH165T*F<br>(BN,CX, SX) | Model<br>DH165T*F(BN, SX)<br>(-ONLY,-FLEX,-SOLID) | Model<br>DH175S*F<br>(BN,CX, SX) | Model<br>DH175S*F(BN,SX)<br>(-ONLY,-FLEX,-SOLID) |
|------|---|----------------------------------|---|----------------------------------|--|
| 1    | Aluminum (Solid)†   | 239-42980-00                     | 239-48914-00                                      | 239-42980-00                     | 239-48914-00                                     |
|      | Aluminum (Flexible)   | ---                              | 239-48915-00                                      | ---                              | 239-48915-00                                     |
|      | Vent package White (Solid)                                    | 239-45412-00                     | 239-45412-00                                      | 239-45412-00                     | 239-45412-00                                     |
|      | Brown (Solid)   | 239-42979-00                     | 239-42979-00                                      | 239-42979-00                     | 239-42979-00                                     |
|      | Aluminum (Flexible)   | ---                              | 239-48915-00                                      | ---                              | 239-48915-00                                     |
| 2    | Direct Vent-Air Intake Terminal (Aluminum)(Flexible & Solid)† | 239-42274-00                     | 239-42274-00                                      | 239-42274-00                     | 239-42274-00                                     |
|      | Direct Vent-Air Intake Terminal (Brown)(Flexible & Solid)     | 239-42832-00                     | 239-42832-00                                      | 239-42832-00                     | 239-42832-00                                     |
|      | Direct Vent-Air Intake Terminal (White)(Flexible & Solid)     | 239-45413-00                     | 239-45413-00                                      | 239-45413-00                     | 239-45413-00                                     |
| 3    | Outer Wall Mounting Plate (Aluminum)(Flexible & Solid)†       | 239-42447-00                     | 239-42447-00                                      | 239-42447-00                     | 239-42447-00                                     |
|      | Outer Wall Mounting Plate (Brown)(Flexible & Solid)           | 239-42833-00                     | 239-42833-00                                      | 239-42833-00                     | 239-42833-00                                     |
|      | Outer Wall Mounting Plate (White)(Flexible & Solid)           | 239-45414-00                     | 239-45414-00                                      | 239-45414-00                     | 239-45414-00                                     |
| 4    | Backing Plate   | 239-42449-00                     | 239-42449-00                                      | 239-42449-00                     | 239-42449-00                                     |
| 5    | Six inch Diameter Telescopic Air Intake Tube (Solid Only)     | 239-42459-00                     | 239-42459-00                                      | 239-42459-00                     | 239-42459-00                                     |
| 6    | Four inch Diameter Telescopic Vent Tube (Solid Only)          | 239-42460-00                     | 239-42460-00                                      | 239-42460-00                     | 239-42460-00                                     |
| 7    | Six inch Diameter Elbow (Solid Only)                          | 239-42067-00                     | 239-42067-00                                      | 239-42067-00                     | 239-42067-00                                     |
| 8    | Four inch Diameter Elbow (Solid Only)                         | 239-42068-00                     | 239-42068-00                                      | 239-42068-00                     | 239-42068-00                                     |
| 9    | Plenum  | 239-42069-02                     | 239-47668-02                                      | 239-42069-03                     | 239-47668-03                                     |
| 10   | Plenum Gasket   | 239-41070-02                     | 239-41070-02                                      | 239-41070-02                     | 239-41070-02                                     |
| 11   | Air Intake Tube   | 239-41012-03                     | 239-50099-03 †                                    | 239-41012-02                     | 239-50099-02 †                                   |
| 12   | Flue Reducer  | 239-42066-00                     | 239-42066-00                                      | 239-42066-00                     | 239-42066-00                                     |
| 13   | Flue Baffle   | 243-44650-00                     | 243-44650-00                                      | 243-42062-00                     | 243-47509-00                                     |
| 14   | Heat Trap Insert (Inlet)                                      | 239-45073-00                     | 239-45073-00                                      | 239-45073-00                     | 239-45073-00                                     |
| 15   | Heat Trap Insert (Outlet)                                     | 239-45167-00                     | 239-45167-00                                      | 239-45167-00                     | 239-45167-00                                     |
| 16   | Hot Water Outlet Anode Magnesium ▲                            | 224-47776-08                     | 224-47776-07                                      | 224-47776-07                     | 224-47776-07                                     |
|      | Aluminum ▲  | 224-32999-06                     | 224-32999-06                                      | 224-32999-06                     | 224-32999-06                                     |
|      | A420 Aluminum ▲ #   | 224-49560-08                     | 224-49560-08                                      | 224-49560-08                     | 224-49560-08                                     |
| 17   | Cold Water Inlet Dip Tube Polypropylene ▲ ▲                   | 229-39625-06                     | 229-39625-06                                      | 229-39625-06                     | 229-39625-06                                     |
|      | Polysulfone (NC Code) ▲ ▲                                     | 229-39628-06                     | 229-39628-06                                      | 229-39628-06                     | 229-39628-06                                     |
| 18   | T&P Relief Valve  | 230-32920-01                     | 230-32920-01                                      | 230-32920-01                     | 230-32920-01                                     |
| 19   | 3/4 NPT Plug  | 239-11638-00                     | 239-11638-00                                      | 239-11638-00                     | 239-11638-00                                     |
| 20   | Wire Tie  | 239-44328-00                     | 239-44328-00                                      | 239-44328-00                     | 239-44328-00                                     |
| 21   | Direct Vent Boot Escutcheon                                   | 243-46922-00                     | ---   | 243-46922-00                     | ---  |
| 22   | Air Intake Boot   | 239-46755-02                     | 239-47771-20                                      | 239-46755-03                     | 239-47771-22                                     |
| 23   | Air Intake Boot Gasket  | 223-41067-00                     | w/ Intake Boot                                    | 223-41067-00                     | w/ Intake Boot                                   |
| 24   | Right Side Inner Door   | 239-45642-20                     | 239-45642-20                                      | 239-45642-20                     | 239-47504-22                                     |
| 25   | Left Side Inner Door  | 239-43968-20                     | 239-43968-20                                      | 239-43968-20                     | 239-43968-20                                     |
| 26   | Screw-#10-12 x 3/4 HWH  | 239-44113-00                     | 239-44113-00                                      | 239-44113-00                     | 239-44113-00                                     |
| 27   | Screw-#8-18 x 3/4 HWH   | 239-44195-00                     | 239-44195-00                                      | 239-44195-00                     | 239-44195-00                                     |
| 28   | Brass Drain Valve   | 265-42351-02                     | 265-42351-02                                      | 265-42351-02                     | 265-42351-02                                     |
| 29   | Outer Door  | 243-43962-00                     | 243-43962-00                                      | 243-43962-00                     | 243-43962-00                                     |
| 30   | Coupler (2 Required) †  | ---                              | 239-50102-00 †                                    | ---                              | 239-50102-00 †                                   |

\*Applies to all warranties

\*\*Inner door gasket kit recommended

\*\*\*Ordering a complete burner assembly may increase delivery time. Please order the specific component required for the quickest delivery.

# A420 Anode may need to be cut to length

† Air intake tube (item 11) should be purchased with coupler (item 30).

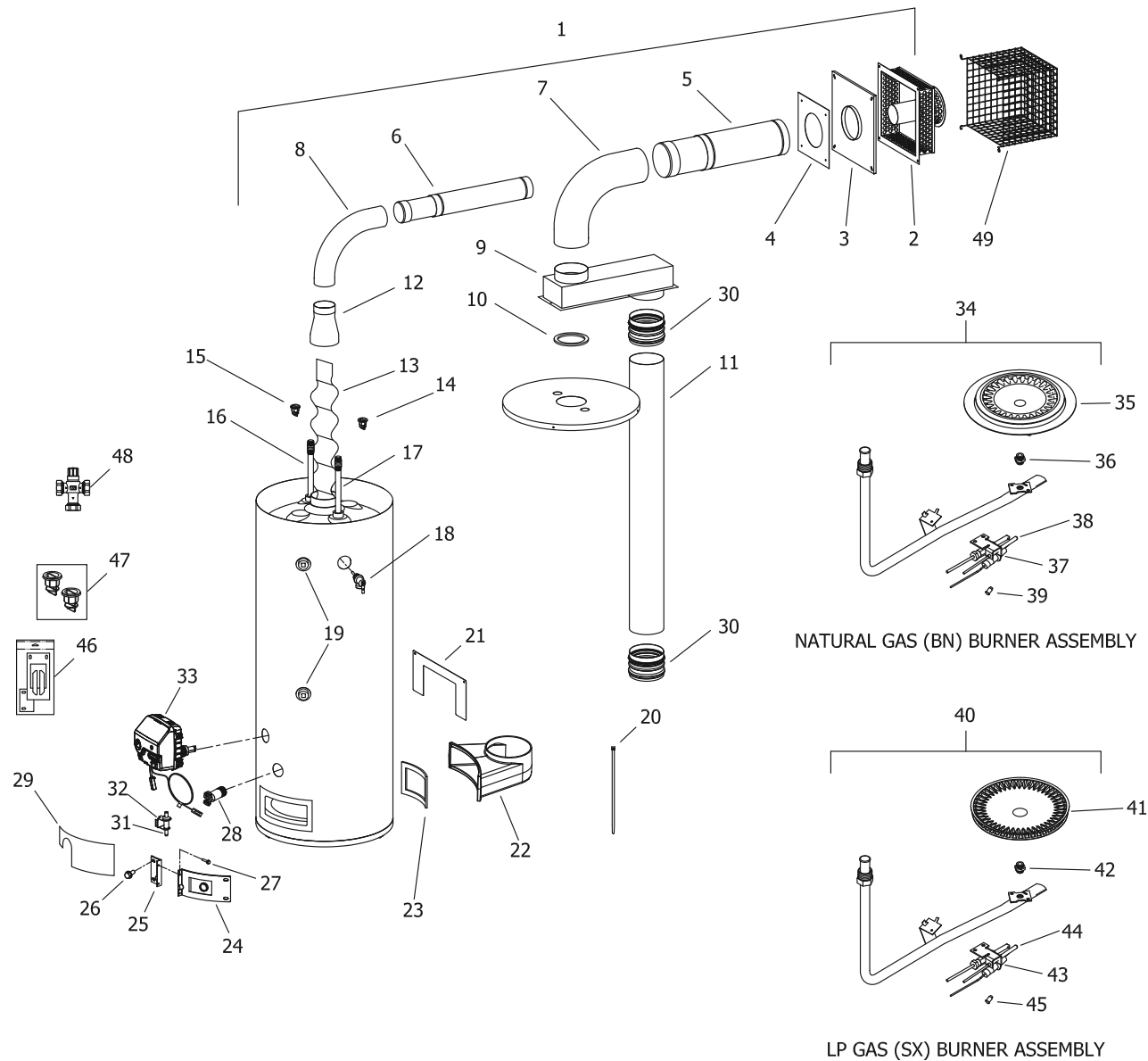
▲ Order with item 15

▲▲ Order with item 14

<sup>1</sup> For serial numbers PRIOR to FK12504331

<sup>2</sup> For serial numbers AFTER and INCLUDING FK12504331.

† Aluminum vent kits are standard



LP GAS (SX) BURNER ASSEMBLY TO REPLACE LP GAS (CX) BURNER ASSEMBLY  
ON ALL MODELS EXCEPT 75 GAL.

| Item | Description                                      | Model<br>DH165T*F<br>(BN,CX, SX) | Model<br>DH165T*F(BN, SX)<br>(-ONLY,-FLEX,-SOLID) | Model<br>DH175S*F<br>(BN,CX, SX) | Model<br>DH175S*F(BN,SX)<br>(-ONLY,-FLEX,-SOLID) |
|------|--|----------------------------------|---|----------------------------------|--|
| 31   | Piezo Igniter (White Rodgers)                    | 239-43448-00                     | 239-43448-00                                      | 239-43448-00                     | 239-43448-00                                     |
| 32   | Piezo Igniter Bracket (White Rodgers)            | 239-46157-02                     | 239-46157-02                                      | 239-46157-02                     | 239-46157-02                                     |
| 33   | Gas Control Direct Replacement Natural Gas       | 239-47463-01                     | 239-47463-01                                      | 239-47463-01                     | 239-47463-01                                     |
|      | Gas Control Direct Replacement LP Gas            | 239-47465-01                     | 239-47465-01                                      | 239-47465-01                     | 239-47465-01                                     |
|      | Gas Control Universal Replacement Natural Gas    | 239-47851-00                     | 239-47851-00                                      | 239-47851-00                     | 239-47851-00                                     |
|      | Gas Control Universal Replacement LP Gas         | 239-47856-00                     | 239-47856-00                                      | 239-47856-00                     | 239-47856-00                                     |
|      | <b>Natural Gas BN Burner Assembly</b>            |                                  |   |                                  |  |
| 34   | Nat. Gas Burner Assembly Complete***             | 265-47439-10-30                  | 265-47970-02-30 <sup>1</sup>                      | 265-43971-06-29                  | 265-47970-03-29 <sup>1</sup>                     |
|      | Nat. Gas Burner Assembly Complete***             | ---                              | 265-48110-02-30 <sup>2</sup>                      | ---                              | 265-48110-03-29 <sup>2</sup>                     |
| 35   | Nat. Gas BN Burner**                             | 228-42506-00                     | 228-42506-00                                      | 228-42506-00                     | 228-42506-00                                     |
| 36   | Nat. Gas Main Burner Orifice**                   | 234-41034-30                     | 234-41034-30                                      | 234-41034-29                     | 234-41034-29                                     |
|      | Nat. Gas High Altitude 2001 Ft. to 5000 Ft.**    | 234-41034-31                     | 234-41034-31                                      | 234-41034-30                     | 234-41034-30                                     |
|      | Nat. Gas High Altitude 5001 Ft. to 8000 Ft.**    | 234-41034-32                     | 234-41034-32                                      | 234-41034-31                     | 234-41034-31                                     |
|      | Nat. Gas High Altitude Over 8000 Ft.**           | 234-41034-33                     | 234-41034-33                                      | 234-41034-31                     | 234-41034-31                                     |
| 37   | Nat. Gas Pilot Assembly (White Rodgers)**        | 233-46277-04                     | 233-46277-04                                      | 233-46277-04                     | 233-41062-03                                     |
|      | Nat. Gas Pilot Assembly (Honeywell)**            | 233-48077-03                     | 233-48077-03                                      | 233-48077-03                     | 233-48077-03                                     |
| 38   | Thermocouple (White Rodgers)**                   | 233-46501-24                     | 233-46501-24                                      | 233-46501-24                     | 233-46501-24                                     |
| 39   | Nat. Gas Pilot Orifice (White Rodgers)**         | 234-46502-05                     | 234-46502-05                                      | 234-46502-05                     | 234-46502-05                                     |
|      | <b>LP Gas SX Burner Assembly</b>                 |                                  | <b>Replacement for LP Gas Cast Iron Burner</b>    |                                  |  |
| 40   | LP Gas Burner Assembly Complete***               | 265-47440-18-46                  | 265-47972-02-46 <sup>1</sup>                      | 265-47118-04-43                  | 265-47972-03-43 <sup>1</sup>                     |
|      | LP Gas Burner Assembly Complete***               | ---                              | 265-48303-02-46 <sup>2</sup>                      | ---                              | 265-48303-03-43 <sup>2</sup>                     |
| 41   | LP Gas SX Burner**                               | 228-47000-00                     | 228-47000-00                                      | 228-47000-00                     | 228-47000-00                                     |
| 42   | LP Gas SX Main Burner Orifice**                  | 234-47064-46                     | 234-47064-46                                      | 234-47064-43                     | 234-47064-43                                     |
|      | LP Gas SX High Altitude 2001 Ft. to 5000 Ft.**   | 234-47064-48                     | 234-47064-48                                      | 234-47064-46                     | 234-47064-46                                     |
|      | LP Gas SX High Altitude 5001 Ft. to 8000 Ft.**   | 234-47064-49                     | 234-47064-49                                      | 234-47064-47                     | 234-47064-47                                     |
|      | LP Gas SX High Altitude Over 8000 Ft.**          | 234-47064-50                     | 234-47064-50                                      | 234-47064-47                     | 234-47064-47                                     |
| 43   | LP Gas SX Pilot Assembly (White Rodgers)**       | 233-46278-03                     | 233-46278-03                                      | 233-41063-03                     | 233-41063-03                                     |
|      | LP Gas SX Pilot Assembly (Honeywell)**           | 233-48078-03                     | 233-48078-03                                      | 233-48078-03                     | 233-48078-03                                     |
| 44   | Thermocouple (White Rodgers)**                   | 233-46501-24                     | 233-46501-24                                      | 233-46501-24                     | 233-46501-24                                     |
| 45   | LP Gas SX Pilot Orifice (White Rodgers)**        | 234-46502-02                     | 234-46502-02                                      | 233-46502-02                     | 233-46502-02                                     |
| 46   | Inner Door Gasket Kit                            | 239-44078-00                     | 239-44078-00                                      | 239-44078-00                     | 239-47792-00                                     |
| 47   | Heat Trap Insert Kit                             | 265-45419-00                     | 265-45419-00                                      | 265-45419-00                     | 265-45419-00                                     |
| 48   | ASSE Approved Mixing Valve (Optional)            | 239-43740-01                     | 239-43740-01                                      | 239-43740-01                     | 239-43740-01                                     |
| 49   | Direct Vent-Air Intake Terminal Guard (Optional) | 239-41453-00                     | 239-41453-00                                      | 239-41453-00                     | 239-41453-00                                     |
| -    | LP to Natural Gas Conversion Kit (Norm Alt.)     | 265-45712-34                     | 265-45712-54                                      | 265-45712-35                     | 265-45712-55                                     |
| -    | LP to Natural Gas Conversion Kit (High Alt.)     | 265-45712-39                     | 265-45712-59                                      | 265-45712-40                     | 265-45712-60                                     |

\*Applies to all warranties

\*\*Inner door gasket kit recommended

\*\*\*Ordering a complete burner assembly may increase delivery time. Please order the specific component required for the quickest delivery.


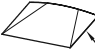
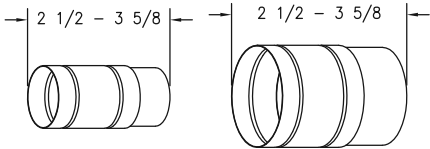

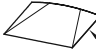
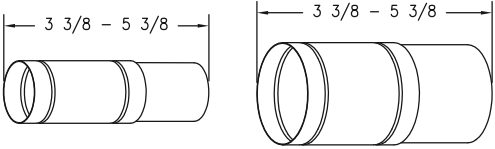

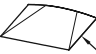
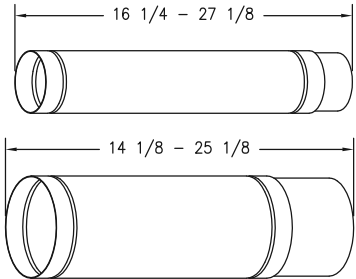

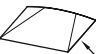
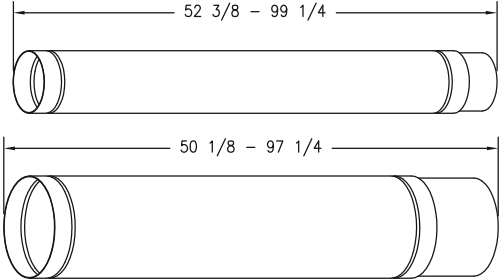
▲ Order with item 15

▲▲ Order with item 14

<sup>1</sup> For serial numbers PRIOR to FK12504331

<sup>2</sup> For serial numbers AFTER and INCLUDING FK12504331.

# SOLID VENT KITS

|  |   |
|--|---|
| <div style="text-align: center;">  <p>SILICONE SEALANT</p> </div> <div style="text-align: center; margin-top: 20px;">  <p>BAG OF MOUNTING<br/>HARDWARE</p> </div> <div style="text-align: center; margin-top: 20px;">  </div> <div style="text-align: center; margin-top: 20px;"> <p><b>DIRECT VENT-AIR INTAKE KIT F</b><br/>PART NO. 239-42516-00 (OPTIONAL)</p> </div>  | <div style="text-align: center;">  <p>SILICONE SEALANT</p> </div> <div style="text-align: center; margin-top: 20px;">  <p>BAG OF MOUNTING<br/>HARDWARE</p> </div> <div style="text-align: center; margin-top: 20px;">  </div> <div style="text-align: center; margin-top: 20px;"> <p><b>DIRECT VENT-AIR INTAKE KIT G</b><br/>PART NO. 239-42517-00 (OPTIONAL)</p> </div>       |
| <div style="text-align: center;">  <p>SILICONE SEALANT</p> </div> <div style="text-align: center; margin-top: 20px;">  <p>BAG OF MOUNTING<br/>HARDWARE</p> </div> <div style="text-align: center; margin-top: 20px;">  </div> <div style="text-align: center; margin-top: 20px;"> <p><b>DIRECT VENT-AIR INTAKE KIT H</b><br/>PART NO. 239-42514-00 (OPTIONAL)<br/>ABOVE TUBE LENGTHS SUPPLIED WITH HEATER</p> </div> | <div style="text-align: center;">  <p>SILICONE SEALANT</p> </div> <div style="text-align: center; margin-top: 20px;">  <p>BAG OF MOUNTING<br/>HARDWARE</p> </div> <div style="text-align: center; margin-top: 20px;">  </div> <div style="text-align: center; margin-top: 20px;"> <p><b>DIRECT VENT-AIR INTAKE KIT I</b><br/>PART NO. 239-42512-00 (OPTIONAL)</p> </div> |

**SOLID VENT KITS**

|              |                     | Horizontal "X"                                  |   |                                  |   |   |
|--------------|---------------------|---|---|----------------------------------|---|---|
|              |                     | 16 1/4<br>17 3/16                               | 18<br>20 11/16                                  | 25 1/4<br>35 3/16                | 37 3/4<br>57 7/8                                | 61 5/16<br>107 5/16                             |
| Vertical "Y" | 11 9/16             | order kit F<br>239-42516-00                     | order kit G<br>239-42517-00                     | <b>no add'l<br/>kit req'd</b>    | order kit H<br>239-42514-00                     | order kit I<br>239-42512-00                     |
|              | 16 5/16<br>17 1/4   | order kit F *(2)<br>239-42516-00                | order kit F & G<br>239-42516-00<br>239-42517-00 | order kit F<br>239-42516-00      | order kit F & H<br>239-42516-00<br>239-42514-00 | order kit F & I<br>239-42516-00<br>239-42512-00 |
|              | 18 1/16<br>20 3/4   | order kit F & G<br>239-42516-00<br>239-42517-00 | order kit G *(2)<br>239-42517-00                | order kit G<br>239-42517-00      | order kit G & H<br>239-42517-00<br>239-42514-00 | order kit G & I<br>239-42517-00<br>239-42512-00 |
|              | 25 5/16<br>35 1/4   | order kit F<br>239-42516-00                     | order kit G<br>239-42517-00                     | order kit H<br>239-42514-00      | order kit H *(2)<br>239-42514-00                | order kit I<br>239-42512-00                     |
|              | 38 1/16<br>57 15/16 | order kit F & H<br>239-42516-00<br>239-42514-00 | order kit G & H<br>239-42517-00<br>239-42514-00 | order kit H *(2)<br>239-42514-00 | order kit H *(3)<br>239-42514-00                | order kit H & I<br>239-42514-00<br>239-42512-00 |
|              | 61 3/8<br>107 3/8   | order kit F & I<br>239-42516-00<br>239-42512-00 | order kit G & I<br>239-42517-00<br>239-42512-00 | order kit I<br>239-42512-00      | order kit H & I<br>239-42514-00<br>239-42512-00 | order kit I *(2)<br>239-42512-00                |

\*(2) = Order two kits

\*(3) = Order three kits

**FLEXIBLE VENT KITS**

| Vertical Vent Height + Horizontal Vent Length | Kit Part Number |
|---|-----------------|
| Less than 100 inches                          | 239-48915-00    |
| More than 100 inches                          | N/A*            |

\*Do not attempt to use flexible vent hose at a distance greater than 100 inches.



# **BRADFORD WHITE®**

W A T E R H E A T E R S

Ambler, PA

For U.S. and Canada field service,  
contact your professional installer or  
local Bradford White sales representative.

**Sales/800-523-2931**  
**Fax/215-641-1670**  
**Parts Fax/215-641-2180**

**Technical Support/800-334-3393**  
**Fax/269-795-1089**

**Warranty/800-531-2111**  
**Fax/269-795-1089**

**International:**  
**Telephone/215-641-9400**  
**Telefax/215-641-9750**



# **BRADFORD WHITE-CANADA® INC.**

Mississauga, ON

**Sales/866-690-0961**  
**905-238-0100**

**Fax/905-238-0105**

**Technical Support/800-334-3393**

**Email**

**parts@bradfordwhite.com**  
**techserv@bradfordwhite.com**

**www.bradfordwhite.com**