



RESIDENTIAL GAS REPLACEMENT PARTS LIST

Direct Vent Energy Saver Models



"DS" Series

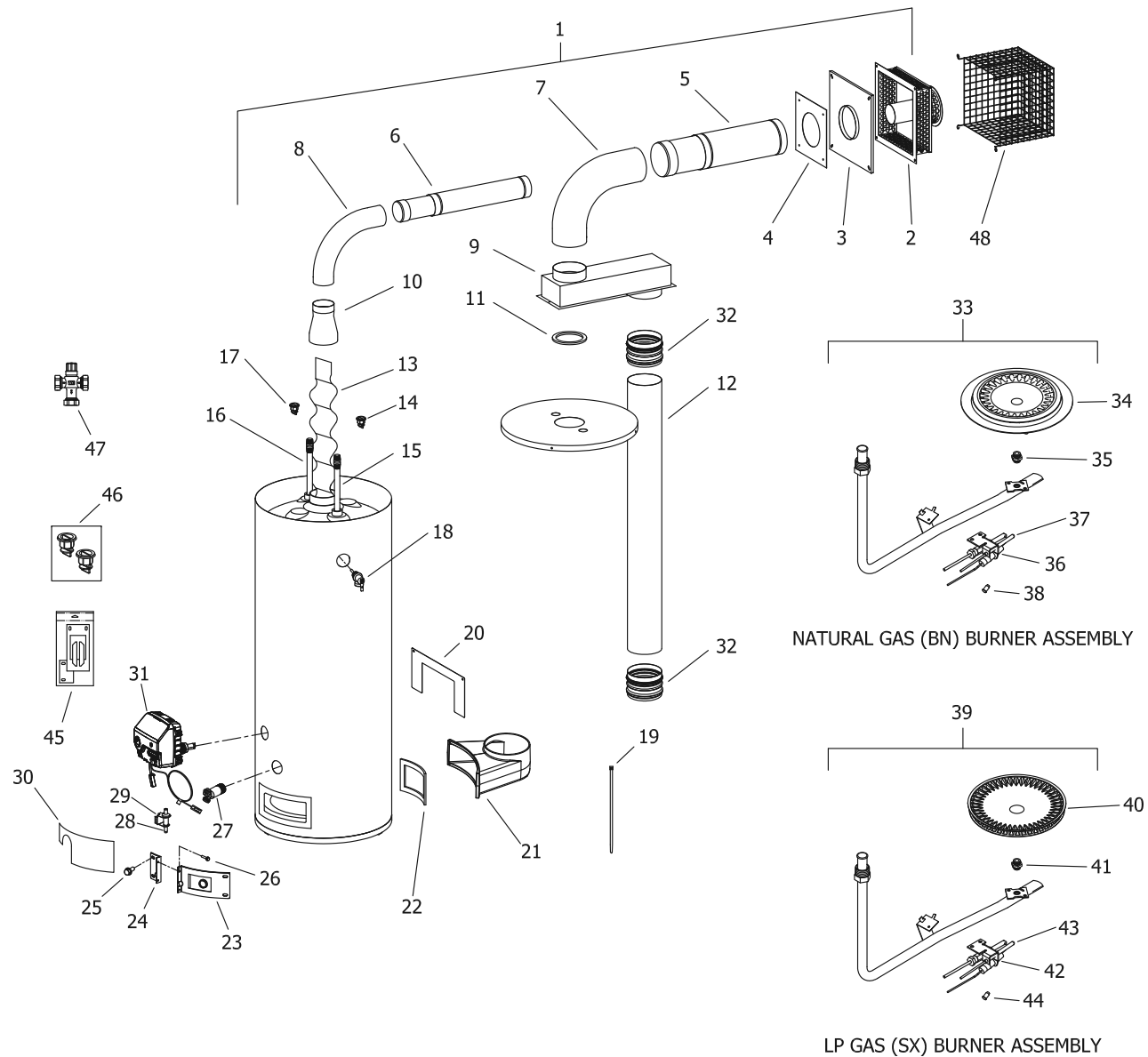
DEFENDER
SAFETY SYSTEM®

Includes Hydrojet®
Total Performance System

Effective: August, 2013
ECO 7817

**NOTE: BOTH MODEL AND SERIAL
NUMBERS ARE REQUIRED FOR
ORDERING REPLACEMENT PARTS**

Dimensions and specifications
subject to change without notice.



LP GAS (SX) BURNER ASSEMBLY TO REPLACE LP GAS (CX) BURNER ASSEMBLY
ON ALL MODELS EXCEPT 75 GAL.

Item	Description	Model	Model	Model	Model
		DS140S*F(BN,CX, SX)	DS140S*F(BN,SX) (-ONLY,-FLEX,-SOLID)	DS150S*F(BN,CX, SX)	DS150S*F(BN,SX) (-ONLY,-FLEX,-SOLID)
1	Vent Package (Solid)	239-41097-00	239-47810-00	239-41097-00	239-47810-00
	Vent Package (Flexible)	---	239-47812-00	---	239-47812-00
2	Direct Vent-Air Intake Terminal (Flexible & Solid)	239-41425-00	239-41425-00	239-41425-00	239-41425-00
3	Outer Wall Mounting Plate (Flexible & Solid)	239-41431-00	239-41431-00	239-41431-00	239-41431-00
4	Inner Wall Mounting Plate (Flexible & Solid)	239-41433-00	239-41433-00	239-41433-00	239-41433-00
5	Five inch Diameter Telescopic Air Intake Tube (Solid Only)	239-41006-00	239-41006-00	239-41006-00	239-41006-00
6	Three inch Diameter Telescopic Vent Tube (Solid Only)	239-41005-00	239-41005-00	239-41005-00	239-41005-00
7	Five inch Diameter Elbow (Solid Only)	239-41007-00	239-41007-00	239-41007-00	239-41007-00
8	Three inch Diameter Elbow (Solid Only)	239-41008-00	239-41008-00	239-41008-00	239-41008-00
9	Plenum	239-41010-00	239-47663-00	239-41010-00	239-47663-00
10	Flue Reducer	239-41009-00	239-41009-00	239-41009-00	239-41009-00
11	Plenum Gasket	239-41070-01	239-41070-01	239-41070-01	239-41070-01
12	Air Intake Tube ♦	239-41012-01	239-50099-01	239-41012-02	239-50099-02
13	Flue Baffle	243-44648-00	243-47511-00	243-44648-00	243-47412-00
14	Heat Trap Insert (Inlet)	239-45073-00	239-45073-00	239-45073-00	239-45073-00
15	Cold Water Inlet Dip Tube Polysulfone ▲ ▲	229-39628-04	229-39628-04	229-39628-06	229-39628-06
16	Hot Water Outlet Anode Magnesium ▲	224-32731-81	224-32731-81	224-32731-82	224-32731-82
	Aluminum ▲	224-32999-31	224-32999-31	224-32999-06	224-32999-06
	A420 Aluminum ▲ #	224-49560-08	224-49560-08	224-49560-08	224-49560-08
17	Heat Trap Insert (Outlet)	239-45167-00	239-45167-00	239-45167-00	239-45167-00
18	T&P Relief Valve	230-32920-01	230-32920-01	230-32920-01	230-32920-01
19	Wire Tie	239-44328-00	239-44328-00	239-44328-00	239-44328-00
20	Direct Vent Boot Escutcheon	243-46922-00	---	243-46922-00	---
21	Air Intake Boot	239-46755-01	239-47771-18	239-46755-01	239-47771-18
22	Air Intake Boot Gasket	223-41067-00	w/ Intake Boot	223-41067-00	w/ Intake Boot
23	Right Side Inner Door	239-45642-18	239-45642-18	239-45642-18	239-45642-18
24	Left Side Inner Door	239-43968-18	239-43968-18	239-43968-18	239-43968-18
25	Screw-#10-12 x 3/4 HWH	239-44113-00	239-44113-00	239-44113-00	239-44113-00
26	Screw-#8-18 x 3/4 HWH	239-44195-00	239-44195-00	239-44195-00	239-44195-00
27	Brass Drain Valve	265-42351-02	265-42351-02	265-42351-02	265-42351-02
28	Piezo Igniter (White Rodgers)	239-43448-00	239-43448-00	239-43448-00	239-43448-00
29	Piezo Igniter Bracket (White Rodgers)	239-46157-02	239-46157-02	239-46157-02	239-46157-02
30	Outer Door	243-43962-00	243-43962-00	243-43962-00	243-43962-00
31	Gas Control Direct Replacement Natural Gas	239-47463-01	239-47463-01	239-47463-01	239-47463-01
	Gas Control Direct Replacement LP Gas	239-47465-01	239-47465-01	239-47465-01	239-47465-01
	Gas Control Universal Replacement Natural Gas	239-47851-00	239-47851-00	239-47851-00	239-47851-00
	Gas Control Universal Replacement LP Gas	239-47856-00	239-47856-00	239-47856-00	239-47856-00
32	Coupler (2 Required) ♦	---	239-50102-00	---	239-50102-00

*Applies to all warranties

**Inner door gasket kit recommended

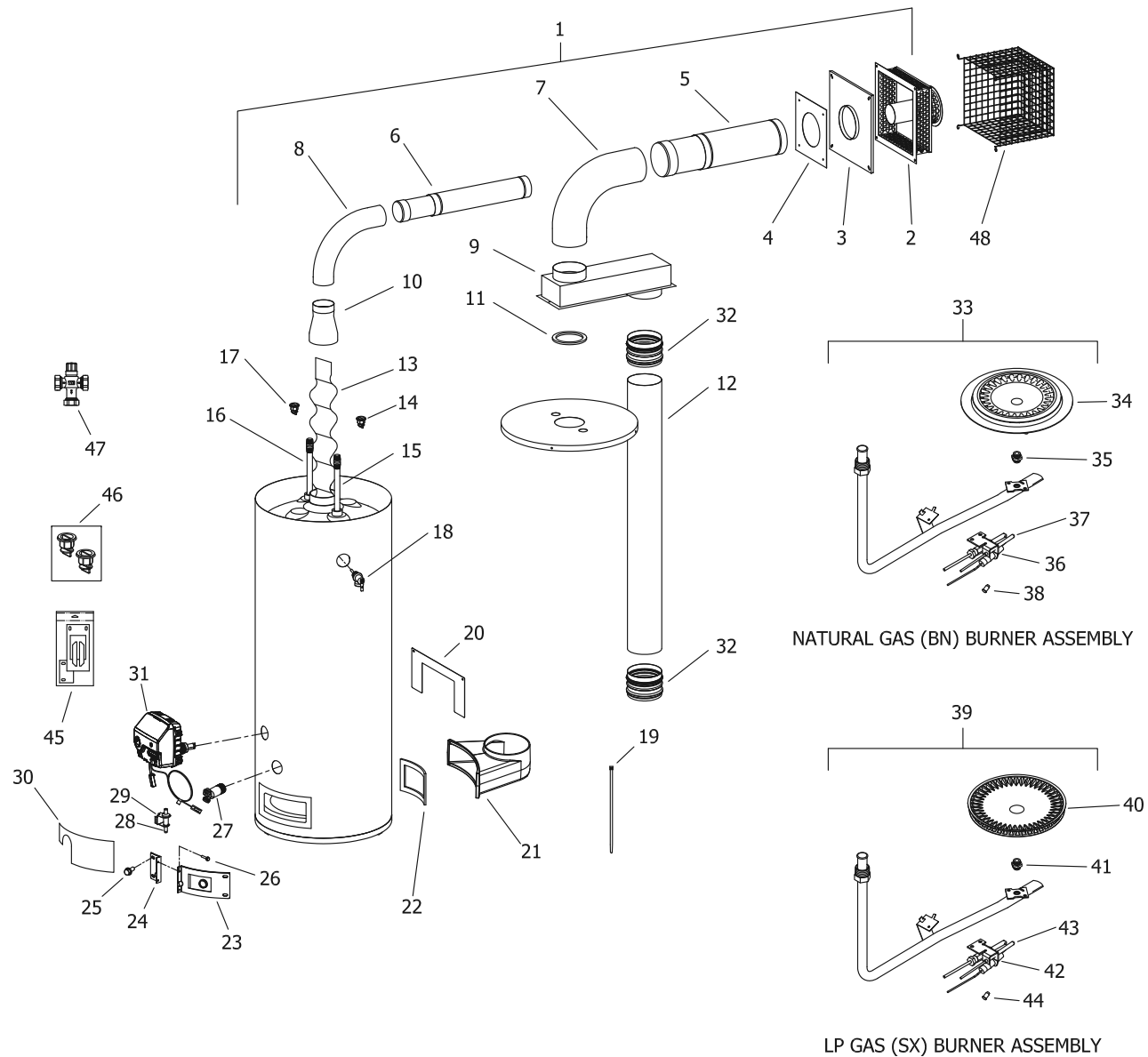
***Ordering a complete burner assembly may increase delivery time. Please order the specific component required for the quickest delivery.

A420 Anode may need to be cut to length

▲ Order with item 17

▲▲ Order with item 14


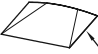
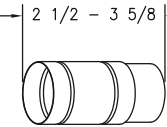
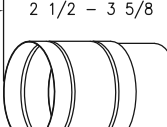

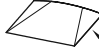
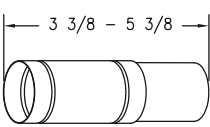
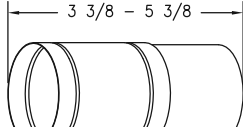

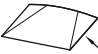
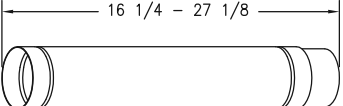
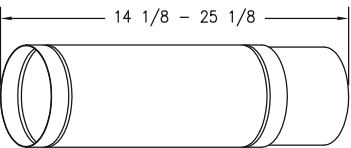

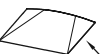
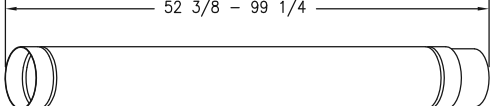
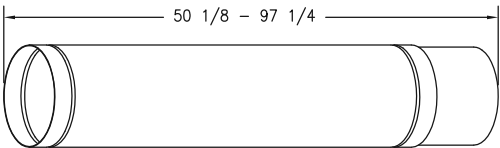
♦ Air intake tube (item 12) must be ordered with coupler (item 32).



LP GAS (SX) BURNER ASSEMBLY TO REPLACE LP GAS (CX) BURNER ASSEMBLY
ON ALL MODELS EXCEPT 75 GAL.

Item	Description	Model DS140S*F(BN,CX, SX)	Model DS140S*F(BN,SX) (-ONLY,-FLEX,-SOLID)	Model DS150S*F(BN,CX, SX)	Model DS150S*F(BN,SX) (-ONLY,-FLEX,-SOLID)
Natural Gas BN Burner Assembly					
33	Nat Gas Burner Assembly Complete***	265-47439-07-33	265-48110-01-33	265-47439-07-32	265-48110-01-32
34	Nat. Gas BN Burner**	228-42506-00	228-42506-00	228-42506-00	228-42506-00
35	Nat. Gas Main Burner Orifice**	234-41034-33	234-41034-33	234-41034-32	234-41034-32
	Nat. Gas High Altitude 2001 Ft. to 5000 Ft.**	234-41034-36	234-41034-36	234-41034-36	234-41034-36
	Nat. Gas High Altitude 5001 Ft. to 8000 Ft.**	234-41034-36	234-41034-36	234-41034-38	234-41034-38
	Nat. Gas High Altitude Over 8000 Ft.**	234-41034-40	234-41034-40	234-41034-38	234-41034-38
36	Nat. Gas Pilot Assembly (White Rodgers)**	233-46277-04	233-46277-04	233-46277-04	233-46277-04
	Nat. Gas Pilot Assembly (Honeywell)**	233-48077-03	233-48077-03	233-48077-03	233-48077-03
37	Thermocouple (White Rodgers)**	233-46501-24	233-46501-24	233-46501-24	233-46501-24
38	Nat. Gas Pilot Orifice (White Rodgers)**	234-46502-05	234-46502-05	234-46502-05	234-46502-05
LP Gas SX Burner Assembly Replacement for LP Gas Cast Iron Burner					
39	LP Gas Burner Assembly Complete***	265-47440-11-50	265-48111-01-50	265-47440-11-49	265-48111-01-49
40	LP Gas SX Burner**	228-46964-00	228-46964-00	228-46964-00	228-46964-00
41	LP Gas Main Burner Orifice**	234-47064-50	234-47064-50	234-47064-49	234-47064-49
	LP Gas High Altitude 2001 Ft. to 5000 Ft.**	234-47064-51	234-47064-51	234-47064-51	234-47064-51
	LP Gas High Altitude 5001 Ft. to 8000 Ft.**	234-47064-52	234-47064-52	234-47064-52	234-47064-52
	LP Gas High Altitude Over 8000 Ft.**	234-47064-53	234-47064-53	234-47064-52	234-47064-52
42	LP Gas Pilot Assembly (White Rodgers)**	233-46278-03	233-46278-03	233-46278-03	233-46278-03
	LP Gas Pilot Assembly (Honeywell)**	233-48078-03	233-48078-03	233-48078-03	233-48078-03
43	Thermocouple (White Rodgers)**	233-46501-24	233-46501-24	233-46501-24	233-46501-24
44	LP Gas Pilot Orifice (White Rodgers)**	234-46502-02	234-46502-02	234-46502-02	234-46502-02
45	Inner Door Gasket Kit	239-44078-00	239-44078-00	239-44078-00	239-44078-00
46	Heat Trap Insert Kit	265-45420-00	265-45420-00	265-45420-00	265-45420-00
47	ASSE Approved Mixing Valve (Optional)	239-43740-01	239-43740-01	239-43740-01	239-43740-01
48	Direct Vent-Air Intake Terminal Guard (Optional)	239-41453-00	239-41453-00	239-41453-00	239-41453-00
-	LP to Natural Gas Conversion Kit (Norm Alt.)	265-45712-31	265-45712-51	265-45712-32	265-45712-52
-	LP to Natural Gas Conversion Kit (High Alt.)	265-45712-36	265-45712-56	265-45712-37	265-45712-57

SOLID VENT KITS

 <p style="text-align: center;">SILICONE SEALANT</p>  <p style="text-align: center;">BAG OF MOUNTING HARDWARE</p> <div style="display: flex; justify-content: space-around; align-items: center;"> <div style="text-align: center;">  <p>2 1/2 - 3 5/8</p> </div> <div style="text-align: center;">  <p>2 1/2 - 3 5/8</p> </div> </div> <p style="text-align: center;">DIRECT VENT-AIR INTAKE KIT A PART NO. 239-41260-00 (OPTIONAL)</p>	 <p style="text-align: center;">SILICONE SEALANT</p>  <p style="text-align: center;">BAG OF MOUNTING HARDWARE</p> <div style="display: flex; justify-content: space-around; align-items: center;"> <div style="text-align: center;">  <p>3 3/8 - 5 3/8</p> </div> <div style="text-align: center;">  <p>3 3/8 - 5 3/8</p> </div> </div> <p style="text-align: center;">DIRECT VENT-AIR INTAKE KIT B PART NO. 239-41331-00 (OPTIONAL)</p>
 <p style="text-align: center;">SILICONE SEALANT</p>  <p style="text-align: center;">BAG OF MOUNTING HARDWARE</p> <div style="display: flex; justify-content: space-around; align-items: center;"> <div style="text-align: center;">  <p>16 1/4 - 27 1/8</p> </div> </div> <div style="display: flex; justify-content: space-around; align-items: center; margin-top: 10px;"> <div style="text-align: center;">  <p>14 1/8 - 25 1/8</p> </div> </div> <p style="text-align: center;">DIRECT VENT-AIR INTAKE KIT C PART NO. 239-41029-00 (OPTIONAL) ABOVE TUBE LENGTHS SUPPLIED WITH HEATER</p>	 <p style="text-align: center;">SILICONE SEALANT</p>  <p style="text-align: center;">BAG OF MOUNTING HARDWARE</p> <div style="display: flex; justify-content: space-around; align-items: center;"> <div style="text-align: center;">  <p>52 3/8 - 99 1/4</p> </div> </div> <div style="display: flex; justify-content: space-around; align-items: center; margin-top: 10px;"> <div style="text-align: center;">  <p>50 1/8 - 97 1/4</p> </div> </div> <p style="text-align: center;">DIRECT VENT-AIR INTAKE KIT D PART NO. 239-41424-00 (OPTIONAL)</p>

SOLID VENT KITS

		Horizontal "X"				
		13 1/4 14 3/16	15 17 11/16	22 1/4 32 3/16	36 55 7/8	58 5/16 104 5/16
Vertical "Y"	10	order kit A 239-41260-00	order kit B 239-41331-00	no add'l kit req'd	order kit C 239-41029-00	order kit D 239-41424-00
	14 3/4 15 11/16	order kit A *(2) 239-41260-00	order kit A & B 239-41260-00 239-41331-00	order kit A 239-41260-00	order kit A & C 239-41260-00 239-41029-00	order kit A & D 239-41260-00 239-41424-00
	16 1/2 19 3/16	order kit A & B 239-41260-00 239-41331-00	order kit B *(2) 239-41331-00	order kit B 239-41331-00	order kit B & C 239-41331-00 239-41029-00	order kit B & D 239-41331-00 239-41424-00
	23 3/4 33 11/16	order kit A 239-41260-00	order kit B 239-41331-00	order kit C 239-41029-00	order kit C *(2) 239-41029-00	order kit D 239-41424-00
	37 1/2 57 3/8	order kit A & C 239-41260-00 239-41029-00	order kit B & C 239-41331-00 239-41029-00	order kit C *(2) 239-41029-00	order kit C *(3) 239-41029-00	order kit C & D 239-41029-00 239-41424-00
	59 13/16 105 13/16	order kit A & D 239-41260-00 239-41424-00	order kit B & D 239-41331-00 239-41424-00	order kit D 239-41424-00	order kit C & D 239-41029-00 239-41424-00	order kit D *(2) 239-41424-00

*(2) = Order two kits

*(3) = Order three kits

FLEXIBLE VENT KITS

Vertical Vent Height + Horizontal Vent Length	Kit Part Number
Less than 100 inches	239-47812-00
More than 100 inches	N/A*

*Do not attempt to use flexible vent hose at a distance greater than 100 inches.



BRADFORD WHITE®

W A T E R H E A T E R S

Ambler, PA

For U.S. and Canada field service,
contact your professional installer or
local Bradford White sales representative.

Sales/800-523-2931
Fax/215-641-1670
Parts Fax/215-641-2180

Technical Support/800-334-3393
Fax/269-795-1089

Warranty/800-531-2111
Fax/269-795-1089

International:
Telephone/215-641-9400
Telefax/215-641-9750



BRADFORD WHITE-CANADA® INC.

Mississauga, ON

Sales/866-690-0961
905-238-0100

Fax/905-238-0105

Technical Support/800-334-3393

Email

parts@bradfordwhite.com
techserv@bradfordwhite.com

www.bradfordwhite.com