

## Residential Utility Electric Water Heater

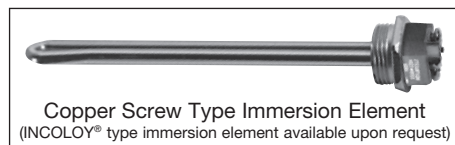
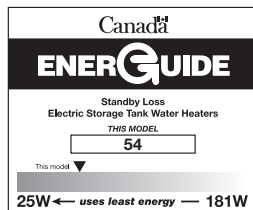


Photo is of  
M-1-12UT6SS

### The Utility Electric Models Feature:

- **Fully Automatic Thermostat Controls**—Fast acting surface-mount thermostat with high limit energy cut-off (manual reset) for safety.
- **Direct Heat Transfer With a Single Immersed Element**—Transfers heat directly and efficiently to the water. Screw-in style element.
- **Vitraglas® Lining**—An exclusively engineered enamel formula that provides superior tank protection from the highly corrosive effects of hot water. This formula (Vitraglas®) is fused to the steel surface by firing at a temperature of over 1600°F (871°C).
- **Insulation System**—1" (25mm) Non-CFC foam insulation covers the sides and top of the tank, reducing heat loss. This results in less energy consumption, improved efficiencies, and jacket rigidity.
- **Water Connections**—3/4" (19mm) NPT factory-installed true dielectric fittings extend water heater life and simplify water line connections.
- **Alternate Top Water Connections**—The 6 gallon (23L) and 12 gallon (45L) models have alternate 3/4" (19mm) water connection tappings on top.
- **Protective Magnesium Anode Rod**—Provides added protection against corrosion for long-term, trouble-free service.
- **Voltages Available**—120V, 208V, 240V, 277V, 480V.
- **Single Phase Operation Only.**
- **T&P Relief Valve**—Included. All models have special tapping on top of tank.
- **Design evaluated by ETL in accordance with Part 280.707(d) of HUD Mobile Home Construction and Safety Standards for Energy Efficiency.**

### FEATURING:



### 6 or 10-Year Limited Tank Warranties / 6 or 10-Year Limited Warranty on Component Parts.

For more information on warranty, please visit [www.bradfordwhite.com](http://www.bradfordwhite.com)

For products installed in USA, Canada, and Puerto Rico. Some states do not allow limitations on warranties.

See complete copy of the warranty included with the heater.

# Residential Utility Electric Water Heater

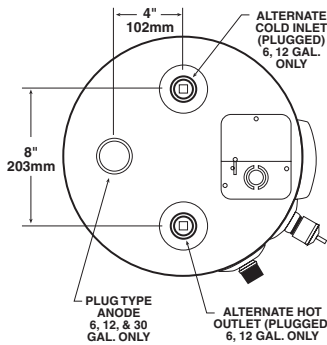
## Utility Models

Model Number	Nominal Gal. Capacity		Standby Loss (Watts)	Recovery 90°F Rise*		A Floor to Top of Heater in.	B Jacket Dia. in.	C Floor to Hot Water Conn. in.	D Floor to T&P Conn. in.	E Floor to Cold Water Conn. in.	F Floor to Anode Rod in.	G Floor to Electrical Access in.	Approx. Shipping Weight lbs.
	U.S. Gal.	Imp. Gal.		U.S. GPH	Imp. GPH								
M-1-6U6SS†	6	5	N/A	7	6	16 <sup>1</sup> / <sub>2</sub>	14	10 <sup>1</sup> / <sub>8</sub>	10 <sup>1</sup> / <sub>8</sub>	3 <sup>1</sup> / <sub>8</sub>	16 <sup>1</sup> / <sub>2</sub>	16 <sup>1</sup> / <sub>2</sub>	33
M-1-10U6SS	10	8	N/A	7	6	17 <sup>1</sup> / <sub>2</sub>	16	15	14	5 <sup>11</sup> / <sub>16</sub>	9 <sup>11</sup> / <sub>16</sub>	12	48
M-1-12U6SS	12	10	N/A	7	6	16 <sup>7</sup> / <sub>8</sub>	18	10 <sup>1</sup> / <sub>4</sub>	10 <sup>1</sup> / <sub>4</sub>	3	16 <sup>1</sup> / <sub>2</sub>	16 <sup>7</sup> / <sub>8</sub>	48
M-1-12UT6SS†	12	10	N/A	7	6	27 <sup>3</sup> / <sub>4</sub>	14	21 <sup>1</sup> / <sub>8</sub>	21 <sup>1</sup> / <sub>8</sub>	3	27 <sup>3</sup> / <sub>4</sub>	27 <sup>3</sup> / <sub>4</sub>	48
M-1-15U6SS	15	13	N/A	7	6	20 <sup>1</sup> / <sub>4</sub>	18	17 <sup>3</sup> / <sub>4</sub>	16 <sup>3</sup> / <sub>4</sub>	6 <sup>1</sup> / <sub>8</sub>	10 <sup>1</sup> / <sub>8</sub>	12 <sup>11</sup> / <sub>16</sub>	55
M-1-20U6SS	19	16	54	7	6	24 <sup>3</sup> / <sub>4</sub>	18	18 <sup>1</sup> / <sub>4</sub>	18 <sup>1</sup> / <sub>4</sub>	3	10 <sup>1</sup> / <sub>4</sub>	24 <sup>3</sup> / <sub>4</sub>	59

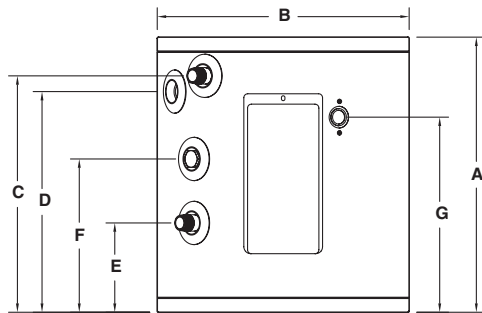
Model Number	Nominal Liter Capacity	Standby Loss (Watts)	Recovery 50°C Rise*	Liters/Hour	A Floor to Top of Heater mm.	B Jacket Dia. mm.	C Floor to Hot Water Conn. mm.	D Floor to T&P Conn. mm.	E Floor to Cold Water Conn. mm.	F Floor to Anode Rod mm.	G Floor to Electrical Access mm.	Approx. Shipping Weight kg.
M-1-6U6SS†	23	N/A	26	26	419	356	257	257	79	444	419	15
M-1-10U6SS	38	N/A	26	26	444	404	381	355	144	246	305	22
M-1-12U6SS	45	N/A	26	26	429	457	260	260	76	439	429	22
M-1-12UT6SS†	45	N/A	26	26	705	356	537	537	76	730	705	22
M-1-15U6SS	57	N/A	26	26	514	457	451	425	155	257	309	25
M-1-20U6SS	72	54	26	26	629	457	464	464	76	464	628	27

† Maximum wattage at any voltage is 3000W.  
 For 10 year models, change suffix "6" to "10".  
 Single element only.  
 \* Based on 1500W operation.

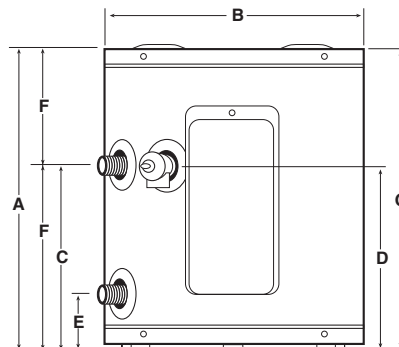
Wattage Limitations	Voltage				
	120V	208V	240V	277V	480V
1500W	yes	yes	yes	yes	yes
2000W	yes	yes	yes	yes	yes
2500W	yes	yes	yes	yes	yes
3000W	yes	yes	yes	yes	yes
3500W	no	yes	yes	no	no
4000W	no	yes	yes	yes	yes
4500W	no	yes	yes	yes	yes
5000W	no	yes	yes	yes	yes
5500W	no	yes	yes	no	no
6000W	no	yes	yes	yes	yes



Wattage	Recovery GPH Temperature Rise °F				
	60	80	90	100	120
1500W	10	8	7	6	5
2000W	14	10	9	8	7
2500W	17	13	11	10	9
3000W	21	15	14	12	10
3500W	24	18	16	14	12
4000W	28	21	18	16	14
4500W	31	23	21	19	15
5000W	34	26	23	21	17
5500W	38	29	25	23	19
6000W	41	31	28	25	21



10 & 15 Gallon  
(38 & 57 Liter) Models



6, 12, & 19 Gallon  
(23, 45, 72 Liter) Models

Wattage	Recovery LPH Temperature Rise °C				
	34	45	50	56	67
1500W	38	30	26	23	19
2000W	53	38	34	30	26
2500W	64	49	42	38	34
3000W	79	57	53	45	38
3500W	91	68	61	53	45
4000W	106	79	68	61	53
4500W	117	87	79	72	57
5000W	129	98	87	79	64
5500W	144	110	95	87	72
6000W	155	117	106	95	79

### General

All models ETL listed. These heaters are wired Single Phase, 120V with one 1500W element, unless otherwise specified. All water and electrical connections are 3/4" (19mm) NPT. All models certified at 300 PSI test pressure (2068 kPa) and 150 PSI working pressure (1034 kPa). Applicable models CSA verified for energy performance in accordance with C191.1-M90.

*Dimensions and specifications subject to change without notice in accordance with our policy of continuous product improvement.*



For field service, contact your professional installer or local Bradford White sales representative.  
 Sales / Technical Support 1-866-690-0961 / 905-203-0600  
 Fax 905-636-0666 / Email [bwccotech@bradfordwhite.com](mailto:bwccotech@bradfordwhite.com) / [www.bradfordwhite.com](http://www.bradfordwhite.com)

**Built to be the Best™**