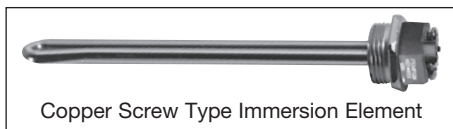


Residential Powerful Compact® Electric Water Heater



Photo is of
RE1-2U6



The Residential Electric Model Features:

- **Compact Design**—Can be mounted almost anywhere - under a sink, inside cabinets or hung on a wall - and is perfect for wash station applications (factories, stores and offices).
- **Fully Automatic Thermostat Controls**—Fast acting surface-mount thermostat with high limit energy cut-off (manual reset) for safety.
- **Direct Heat Transfer with Immersed Element**—Transfers heat directly and efficiently to the water. Screw-in style.
- **Vitraglas® Lining**—An exclusively engineered enamel formula that provides superior tank protection from the highly corrosive effects of hot water. This formula (Vitraglas®) is fused to the steel surface by firing at a temperature of over 1600°F (871°C).
- **Insulation System**—Non-CFC foam precast surrounds tank.
- **Water Connections**—3/4" (19mm) NPT factory-installed true dielectric fittings extend water heater life and simplify water line connections.
- **Protective Magnesium Anode Rod**—Provides added protection against corrosion for long-term, trouble-free service.
- **Steel Tank**—Heavy gauge steel automatically formed, rolled, and welded.
- **Steel Jacket**—With special coating that inhibits rust and corrosion.
- **T&P Relief Valve**—Included.

Optional Features:

- **Wall Mounting Bracket.**
- **Aluminum Anode Rod.**



6 or 10-Year Limited Tank Warranties / 6 or 10-Year Limited Warranty on Component Parts.

For more information on warranty, please visit www.bradfordwhite.com

For products installed in USA, Canada, and Puerto Rico. Some states do not allow limitations on warranties. See complete copy of the warranty included with the heater.

Residential Powerful Compact® Electric Water Heater

Powerful Compact® Model

Meet or exceed ASHRAE 90.1b (current standard)

Model Number	Nominal Gal. Capacity		Recovery at 90°F Rise*		A Floor to Top of Heater	B Jacket Dia.	C Floor to Water Conn.	D C/L of Water Conn.	G Water Conn. NPT	Approx. Shipping Weight
	U.S. Gal.	Imp. Gal.	U.S. GPH	Imp. GPH	in.	in.	in.	in.	in.	lbs.
RE1-2U6	2	1.7	7	6	12	9 ¹⁵ / ₁₆	12 ³ / ₄	2 ⁵ / ₈	3/4	13

Model Number	Nominal Liter Capacity	Recovery at 50°C Rise*		A Floor to Top of Heater	B Jacket Dia.	C Floor to Water Conn.	D C/L of Water Conn.	G Water Conn. NPT	Approx. Shipping Weight
	Liters/ Hour	mm.	mm.	mm.	mm.	mm.	mm.	mm.	kg.
RE1-2U6	7	305	26	252	324	67	19	6	

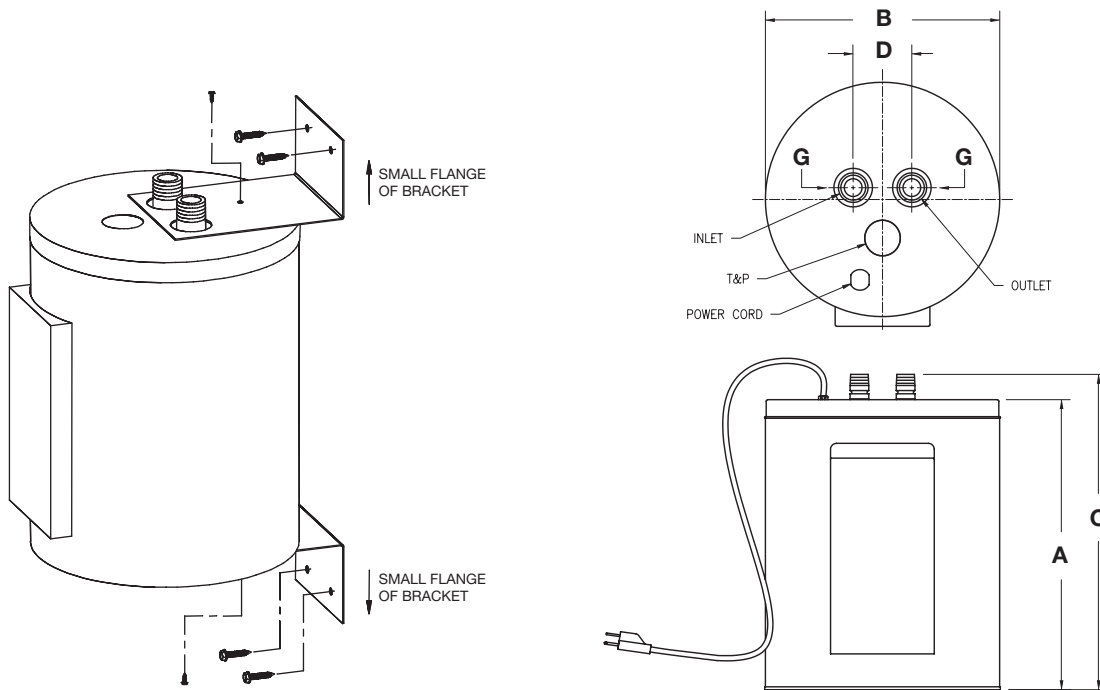
Includes a 4ft. cord with 3 prong grounded plug (20 amp circuit required).

For 10 year models, change suffix "6" to "10".

Single element only.

* Based on 1500W operation.

Only available as 120V / 1500W.



Optional Wall Mounting Bracket (2 brackets)
Part Number 265-45018-00

General

All models ETL listed. All water connections, 3/4" (19mm) NPT. T&P connection, 3/4" (19mm) NPT female. All models certified at 300 PSI test pressure (2068 kPa) and 150 PSI working pressure (1034 kPa).

Dimensions and specifications subject to change without notice in accordance with our policy of continuous product improvement.



For field service, contact your professional installer or local Bradford White sales representative.
Sales / Technical Support 1-866-690-0961 / 905-203-0600
Fax 905-636-0666 / Email bwccotech@bradfordwhite.com / www.bradfordwhite.com

Built to be the Best™