

# Non Return Valve

ST1253

For use with **RTGS199** and **RTGR199** tankless water heaters



Date:

Project #:

Engineer:

Prepared By:

Bid Date:



## Submittal Data

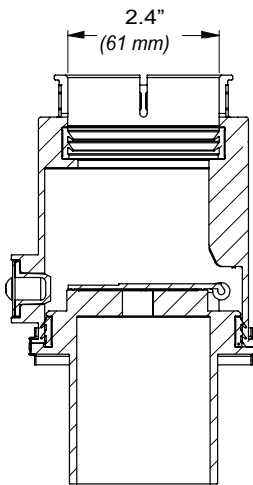
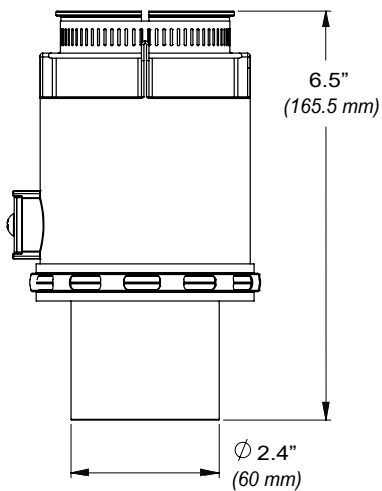
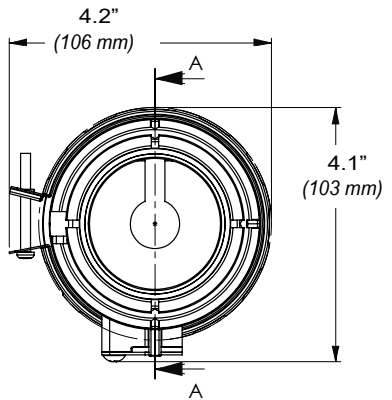
Project Name:

Location:

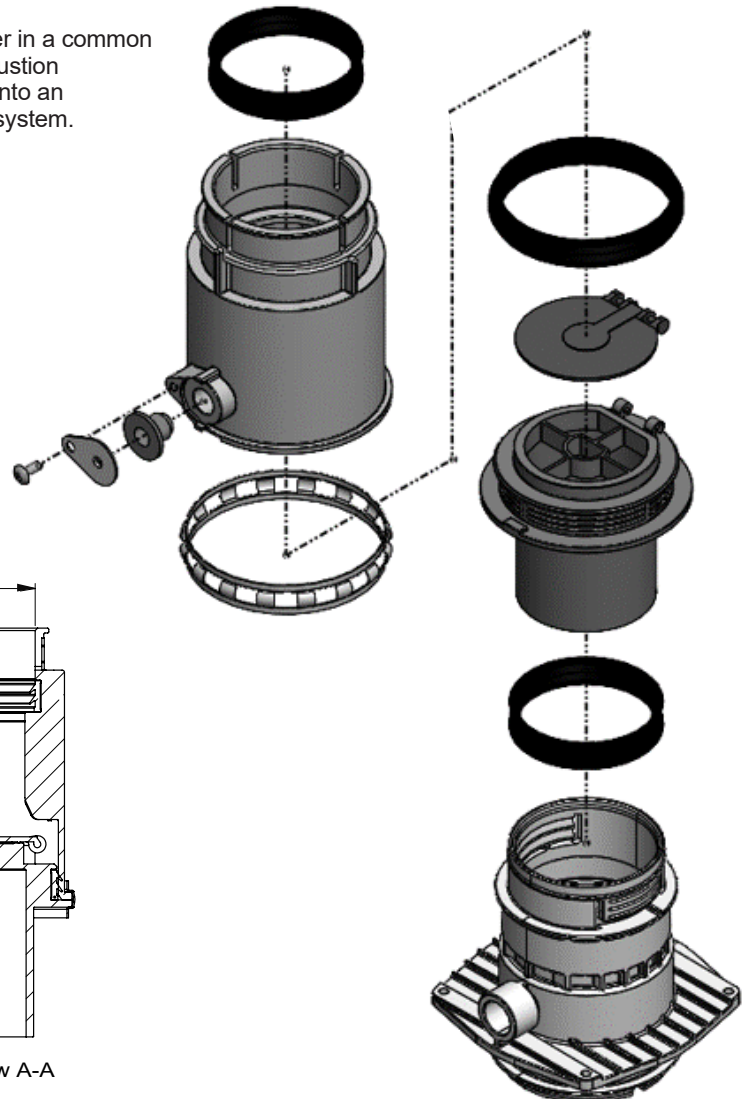
Contractor:

### Standard Equipment

- Assemble to the exhaust collar of each heater in a common PVC or CPVC vent system, to prevent combustion products from one heater from back flowing into an adjacent heater that shares a common vent system.



Section View A-A



200 Lafayette St.  
 Middleville, MI 49333  
 (800) 523-2931

[www.BradfordWhite.com](http://www.BradfordWhite.com)

Litho in U.S.A. © Bradford White 24-01 Document 2204-BW