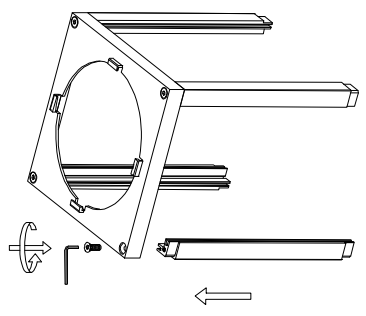
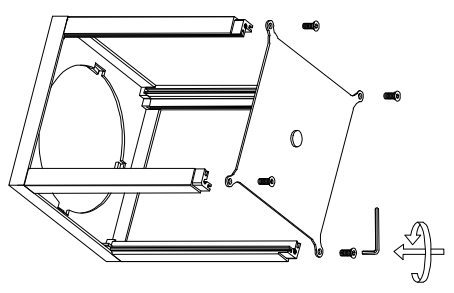


**1 ASSEMBLY MANUAL**



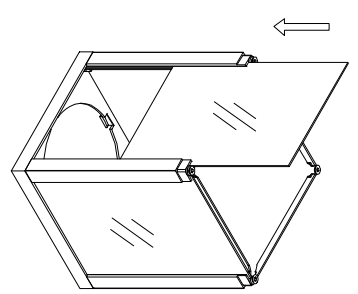
**BOXLITE®**

**2**



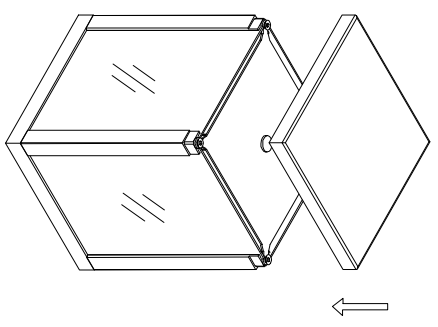
**BOXLITE®**

**3**



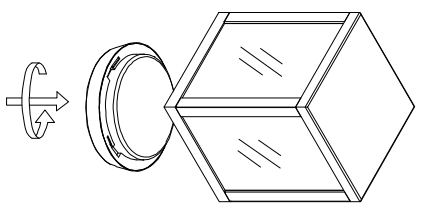
**BOXLITE®**

**4**

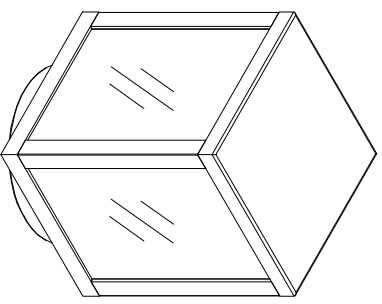


**BOXLITE®**

**5**



**BOXLITE®**



**BOXLITE®**

**BOXLITE®**

BOXLITE is a unique product and covered by worldwide patents, we deliver directly to customers all over the world.

[www.boxlite.com.hk](http://www.boxlite.com.hk)

**BOXLITE®**  
CORDLESS LAMP - DESIGN BY YOU