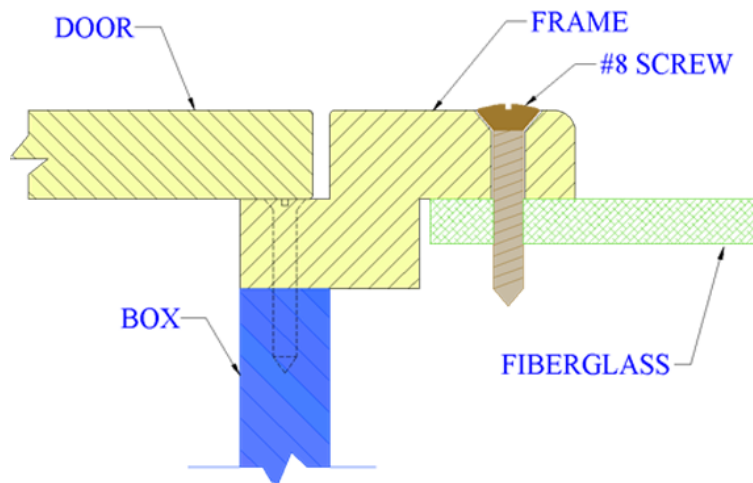




Storage System Installation Instructions Face Mounting With Screws



Step 1: First determine where you would like your new storage box to be mounted. It is important to draw out the *outside* shape of the part on your mounting area. This will allow you to confirm that you have the necessary clearance for the part and that you will be happy with the placement. Once you are happy with the placement measure in from the outside line and mark your cut out pass through hole.

Note: It is important to determine that there are no electrical wires, hoses, steering cables, etc. behind the area before cutting.

Step 2: Cut a marked cutout hole using a jig saw or other cutting tool. Always wear safety glasses and observe all safety precautions.

Step 3: Once the hole is cut in the mounting surface the part can be set in to test fit. If the hole is a little tight, sand or trim the cutout to expand the opening.

Step 4: For larger storage systems (generally recommended on any box heavier than 15 lbs.), it is necessary to support the back end of the box to keep from putting undo stress on the frame. On these heavier boxes, you do not want the box hanging off the frame but rather resting on the bottom lip of the cutout and a support block (exhibit 1). This support block can be cut from King Starboard®, Starlite, treated lumber or any other marine grade material. The block should

be secured in place with screws to assure it does not vibrate out of place. To measure the required height of the box, rest a level on the lower edge of the cutout and measure to (Exhibit 2).

Exhibit 1

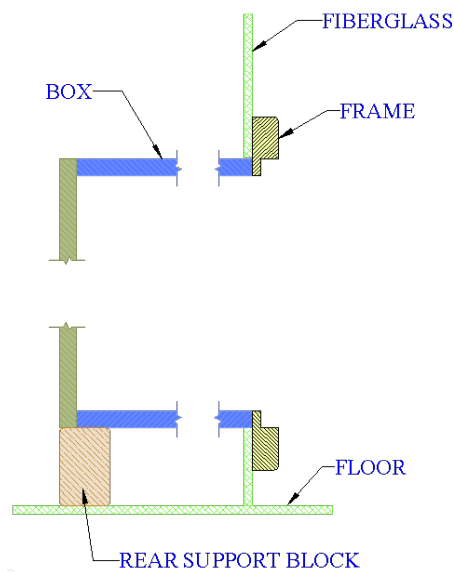
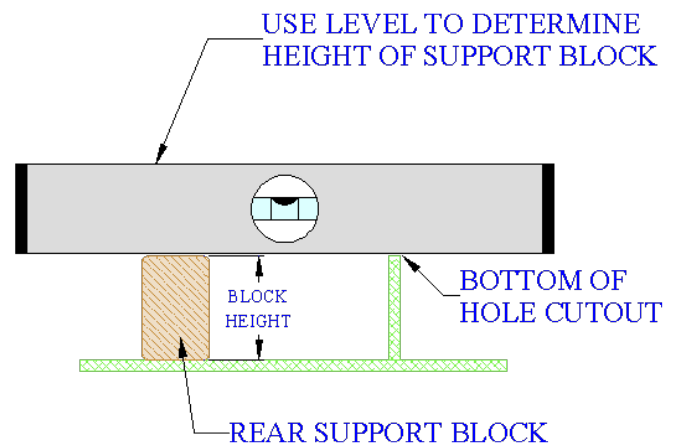


Exhibit 2



Step 5: Once the part is placed in to the cut out, drill 1/8 holes in to the fiberglass through the countersunk holes in the face of the frame.

Optional Step

Step 6: Remove the part and add a slight countersink to the 1/8" mounting holes that you have drilled. This will reduce the chance of cracking the gel coat surface coating and causing spider cracks in the gel coat and fiberglass surface.

Optional Step

Step 7: Run a bead of marine grade sealer around the hole cutout and add a dab to each mounting hole. This sealer will help repel water and help to keep the screws from vibrating loose.

Step 8: Place the part in the cutout holes and screw the part onto the surface with #8 x 1 1/4" screws.

Step 9: Clean off any excess sealer and allow to dry as needed.

Step 10: Enjoy your new part!