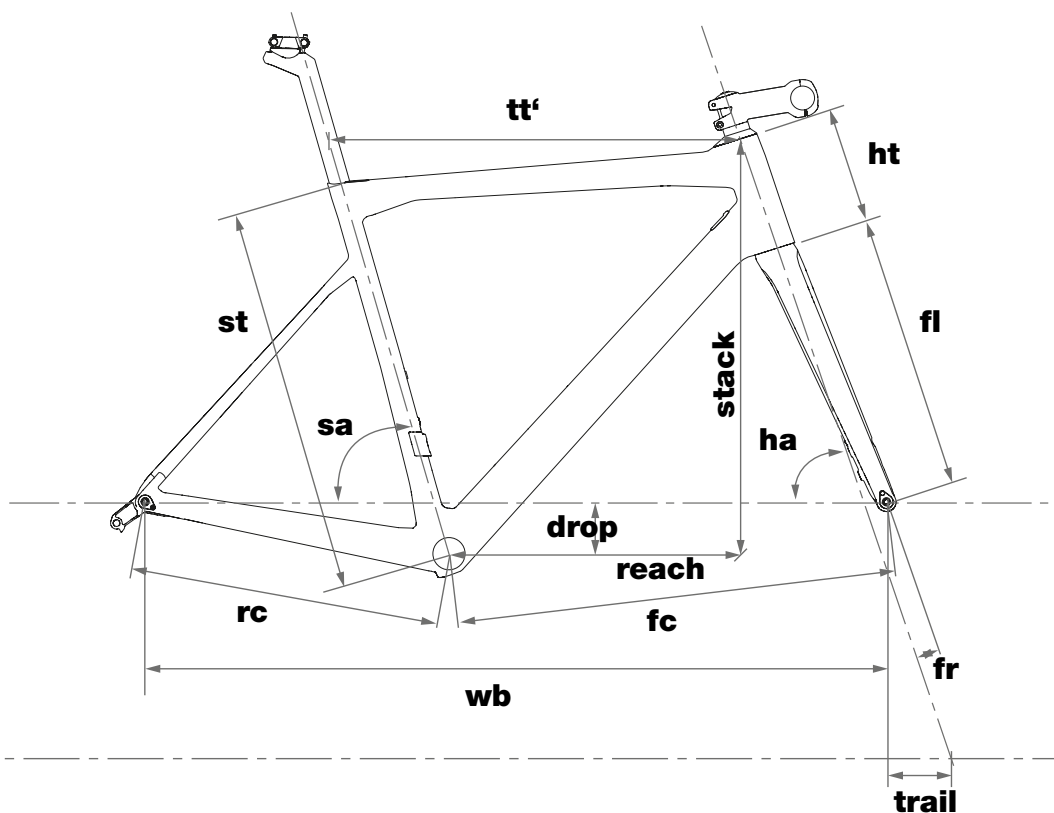


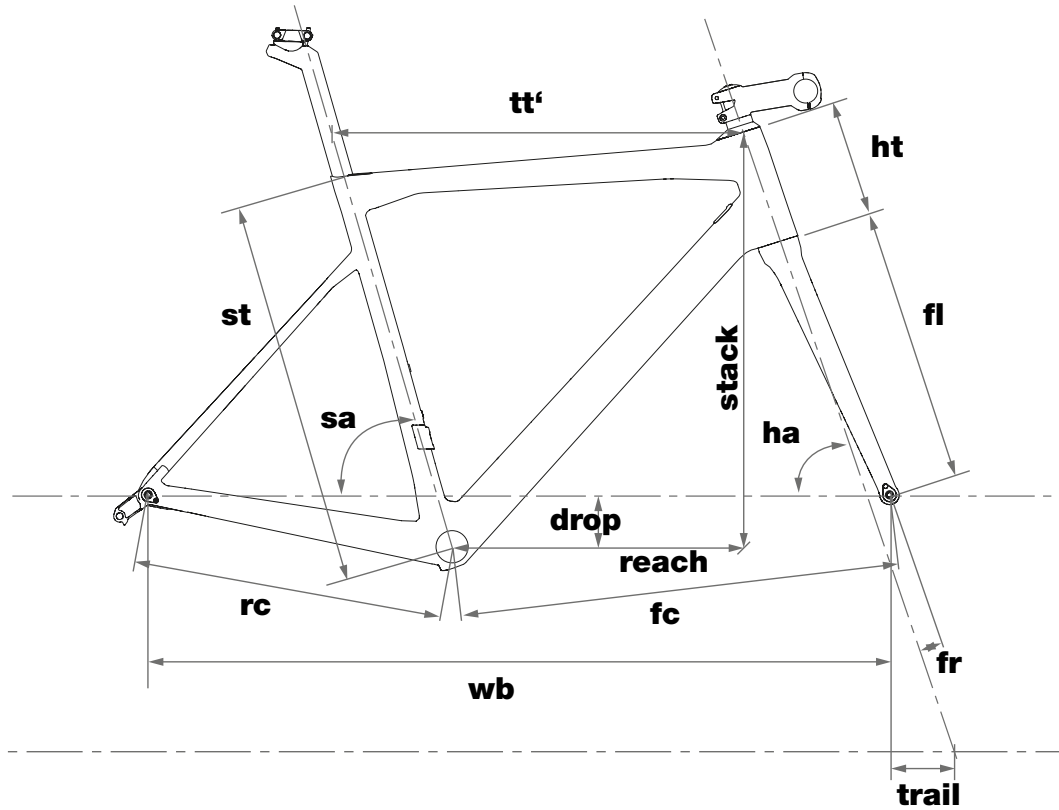
Geometry

size	47	51	54	56	58	61
rider height	<166	166-174	172-180	178-186	184-192	>190
stack mm	506	530	550	565	584	608
reach mm	367	377	386	392	401	409
seat tube st mm	423	468	513	534	554	584
top tube tt' mm	517	535	550	560	575	590
head tube ht mm	113	133	153	168	188	213
seat angle sa °	73.5	73.5	73.5	73.5	73.5	73.5
head angle ha °	70.5	72	72.5	72.5	72.5	72.5
rear center rc mm	410	410	410	410	410	410
front center fc mm	570	575	587	596	611	627
wheelbase wb mm	970	975	986	996	1012	1027
bb drop mm	69	69	69	69	69	69
fork length fl mm	365	365	365	365	365	365
fork rake fr mm	41.6	41.6	41.6	41.6	41.6	41.6
trail mm	76	66	63	63	63	63
crank length mm	170	170	172.5	172.5	172.5	175
stem length mm	90	100	110	120	120	120
stem angle °	± 8	± 8	± 8	± 8	± 8	± 8
bar width mm	400	420	420	420	440	440
bar drop mm	123	123	123	123	123	123
bar reach mm	77	77	77	77	77	77
post length mm	300	300	330	330	330	330
post offset mm	15	15	15	15	15	15
standover height mm	726	754	779	797	814	843



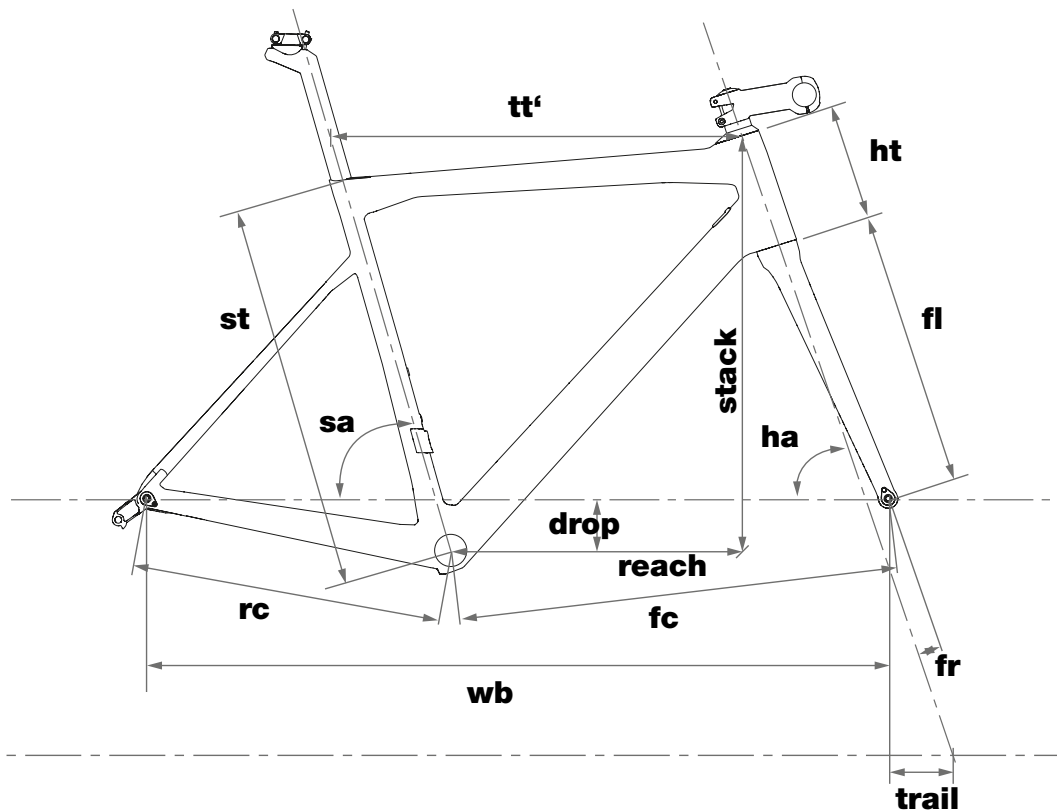
Geometry

size	47	51	54	56	58	61
rider height	<166	166-174	172-180	178-186	184-192	>190
stack mm	506	530	550	565	584	608
reach mm	367	377	386	392	401	409
seat tube st mm	423	468	513	534	554	584
top tube tt' mm	517	535	550	560	575	590
head tube ht mm	113	133	153	168	188	213
seat angle sa °	73.5	73.5	73.5	73.5	73.5	73.5
head angle ha °	70.5	72	72.5	72.5	72.5	72.5
rear center rc mm	410	410	410	410	410	410
front center fc mm	570	575	587	596	611	627
wheelbase wb mm	970	975	986	996	1012	1027
bb drop mm	69	69	69	69	69	69
fork length fl mm	365	365	365	365	365	365
fork rake fr mm	41.6	41.6	41.6	41.6	41.6	41.6
trail mm	76	66	63	63	63	63
crank length mm	170	170	172.5	172.5	172.5	175
stem length mm	90	100	110	120	120	120
stem angle °	± 8	± 8	± 8	± 8	± 8	± 8
bar width mm	400	420	420	420	440	440
bar drop mm	123	123	123	123	123	123
bar reach mm	77	77	77	77	77	77
post length mm	300	300	330	330	330	330
post offset mm	15	15	15	15	15	15
standover height mm	726	754	779	797	814	843



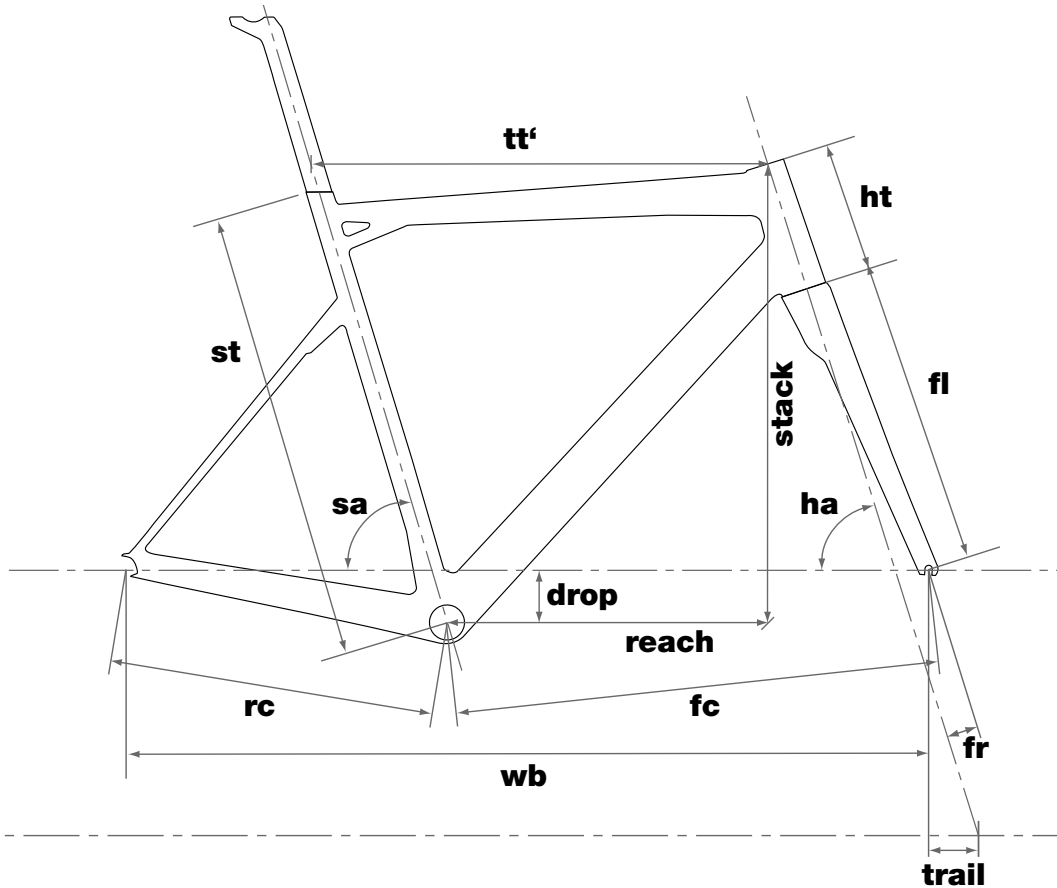
Geometry

size	47	51	54	56	58	61
rider height	<166	166-174	172-180	178-186	184-192	>190
stack mm	506	530	550	565	584	608
reach mm	367	377	386	392	401	409
seat tube st mm	423	468	513	534	554	584
top tube tt' mm	517	535	550	560	575	590
head tube ht mm	113	133	153	168	188	213
seat angle sa °	73.5	73.5	73.5	73.5	73.5	73.5
head angle ha °	70.5	72	72.5	72.5	72.5	72.5
rear center rc mm	410	410	410	410	410	410
front center fc mm	570	575	587	596	611	627
wheelbase wb mm	970	975	986	996	1012	1027
bb drop mm	69	69	69	69	69	69
fork length fl mm	365	365	365	365	365	365
fork rake fr mm	41.6	41.6	41.6	41.6	41.6	41.6
trail mm	76	66	63	63	63	63
crank length mm	170	170	172.5	172.5	172.5	175
stem length mm	90	100	110	120	120	120
stem angle °	± 8	± 8	± 8	± 8	± 8	± 8
bar width mm	400	420	420	420	440	440
bar drop mm	123	123	123	123	123	123
bar reach mm	77	77	77	77	77	77
post length mm	300	300	330	330	330	330
post offset mm	15	15	15	15	15	15
standover height mm	726	754	779	797	814	843

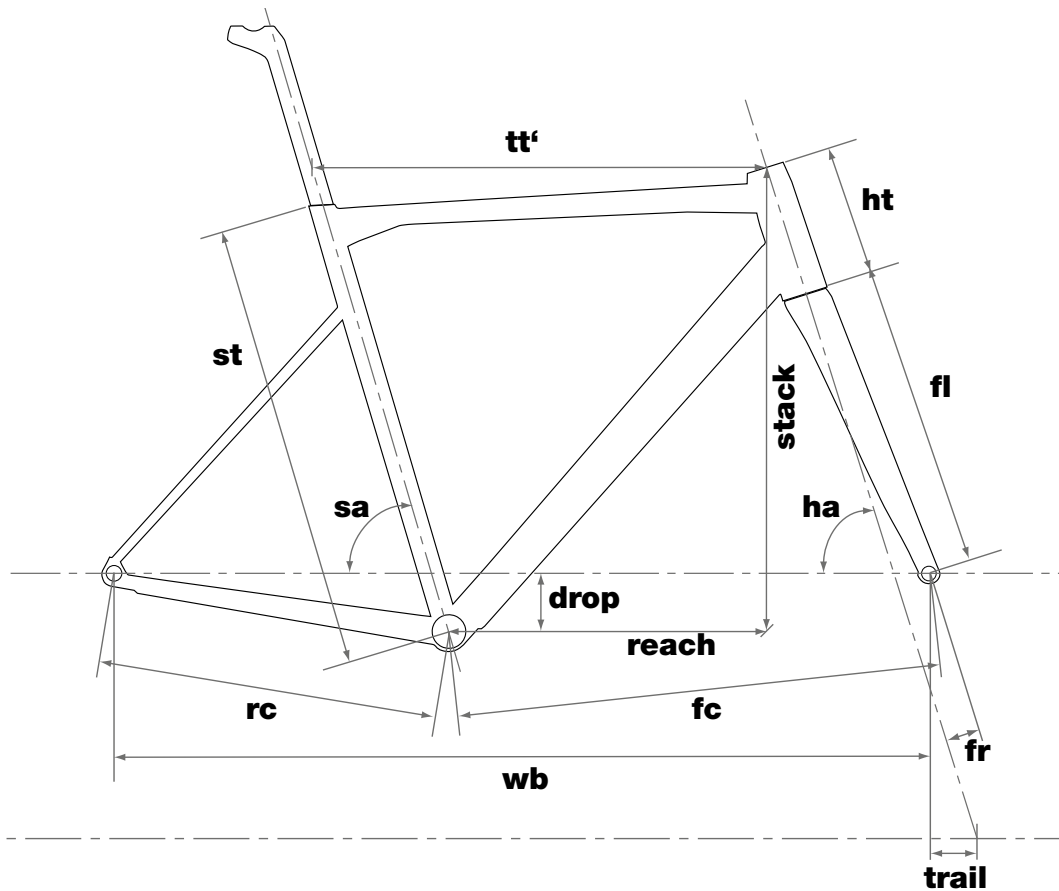


Geometry

size	47	51	54	56	58	61
rider height	<166	166-174	172-180	178-186	184-192	>190
stack mm	506	530	550	565	584	608
reach mm	367	377	386	392	401	409
seat tube st mm	423	468	513	534	554	584
top tube tt' mm	517	535	550	560	575	590
head tube ht mm	113	133	153	168	188	213
seat angle sa °	73.5	73.5	73.5	73.5	73.5	73.5
head angle ha °	70.5	72	72.5	72.5	72.5	72.5
rear center rc mm	410	410	410	410	410	410
front center fc mm	570	575	587	596	611	627
wheelbase wb mm	970	975	986	996	1012	1027
bb drop mm	69	69	69	69	69	69
fork length fl mm	365	365	365	365	365	365
fork rake fr mm	41.6	41.6	41.6	41.6	41.6	41.6
trail mm	76	66	63	63	63	63
crank length mm	170	170	172.5	172.5	172.5	175
stem length mm	90	100	110	120	120	120
stem angle °	± 8	± 8	± 8	± 8	± 8	± 8
bar width mm	400	420	420	420	440	440
bar drop mm	123	123	123	123	123	123
bar reach mm	77	77	77	77	77	77
post length mm	300	300	330	330	330	330
post offset mm	15	15	15	15	15	15
standover height mm	726	754	779	797	814	843

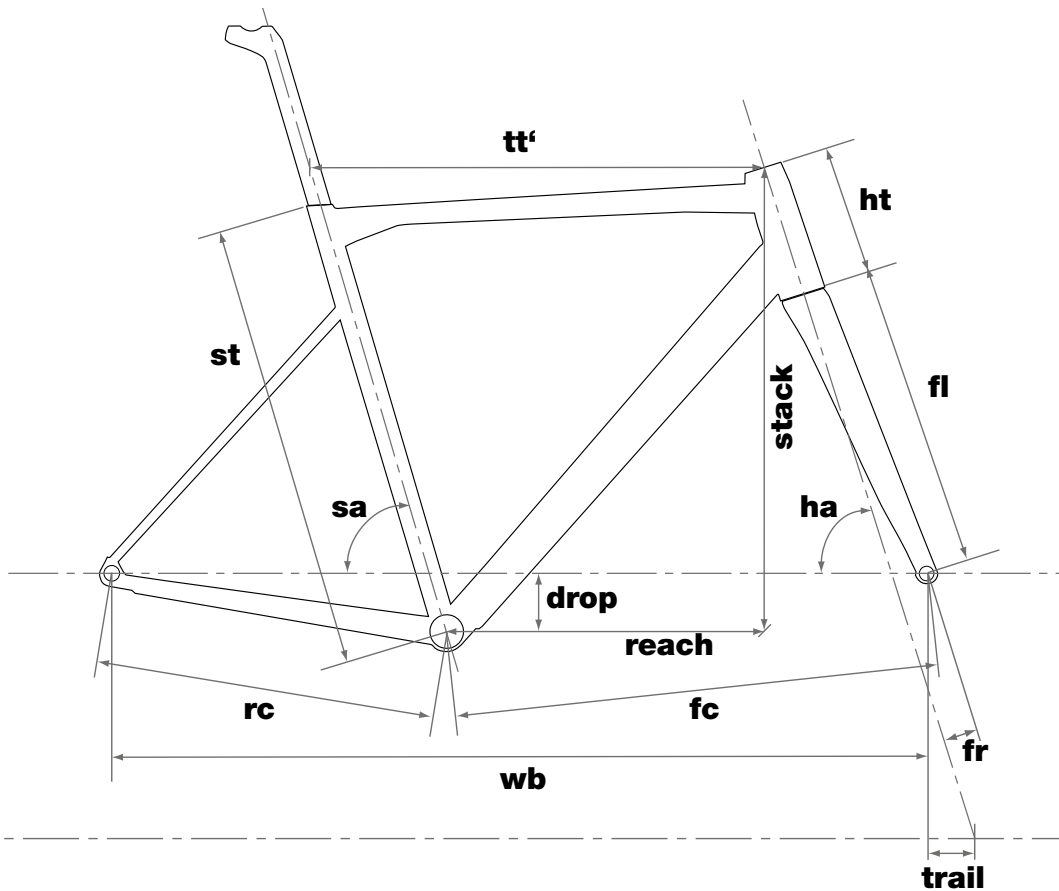

Geometry

size	47	51	54	57	60
rider height	<168	166-174	172-180	178-188	>186
stack mm	506	530	550	571	601
reach mm	370	378	387	394	405
seat tube st mm	442	505	535	565	600
top tube tt' mm	520	535	550	564	583
head tube ht mm	108	128	148	170	201
seat angle sa °	73.5	73.5	73.5	73.5	73.5
head angle ha °	70.5	72.5	72.5	72.5	72.5
rear center rc mm	402	402	402	402	402
front center fc mm	571	575	586	600	620
wheelbase wb mm	963	967	978	992	1012
bb drop mm	69	69	69	69	69
fork length fl mm	370	370	370	370	370
fork rake fr mm	41.6	41.6	41.6	41.6	41.6
trail mm	76	66	63	63	63
crank length mm	170	170	172.5	172.5	175
stem length mm	90	100	110	120	130
stem angle °	+/- 6	+/- 6	+/- 6	+/- 6	+/- 6
bar width mm	420	420	420	440	440
bar drop mm	125	125	125	125	125
bar reach mm	70	70	70	70	70
post length mm	350	350	350	350	350
post offset mm	15	15	15	15	15
standover height mm	707	754	779	804	836



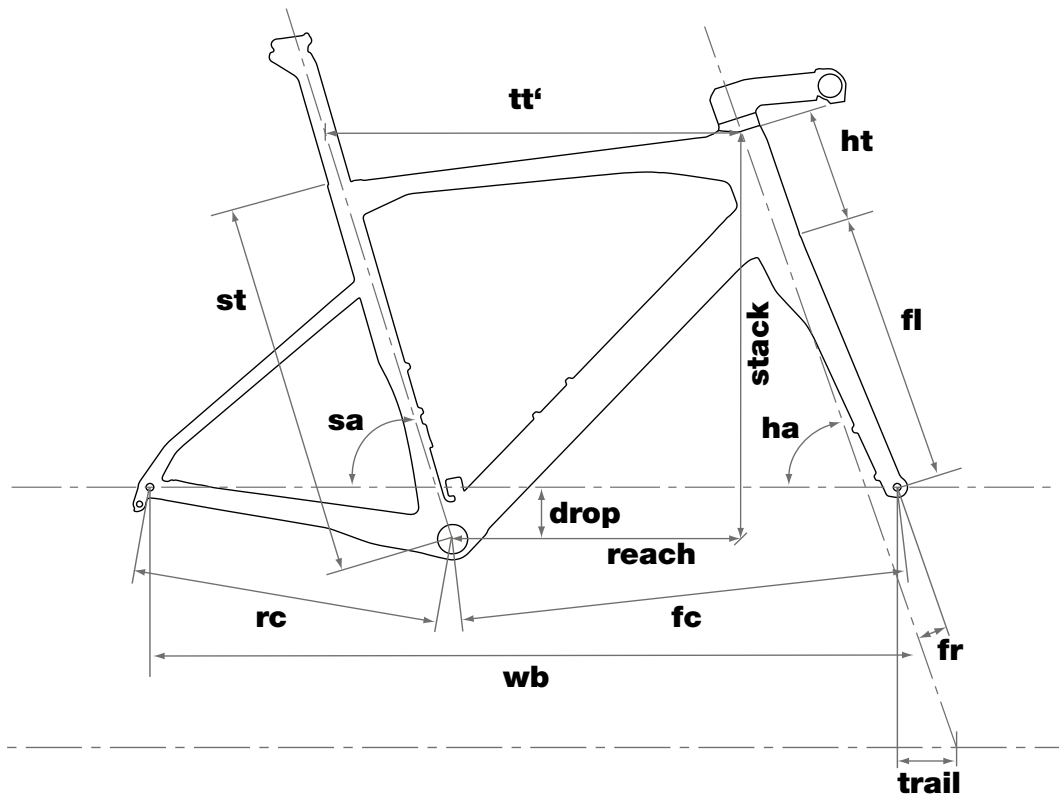
Geometry

size	47	51	54	57	60
rider height	<168	166-174	172-180	178-188	>186
stack	515	539	559	583	610
reach	365	374	383	391	402
seat tube st	442	505	535	565	600
top tub tt	518	534	549	564	583
chainstay rc	410	410	410	410	410
headtube ht	118	138	157	182	210
BB drop	69	69	69	69	69
head tube angle ha	70.5	72	72.5	72.5	72.5
fork length fl	369	369	369	369	369
fork rake fr	41.6	41.6	41.6	41.6	41.6
fork trail	76	66	63	63	63
front center fr	571	575	585	601	620
rear center rc	410	410	410	410	410
wheelbase wb	971	975	985	1001	1020
seat tube angle sa	73.5	73.5	73.5	73.5	73.5
crank length	170	170	172.5	172.5	175
stem length	90	100	110	120	120
stem angle	± 8	± 8	± 8	± 8	± 8
bar width	420	420	420	440	440
bar drop	125	125	125	125	125
bar reach	70	70	70	70	70
post length	350	350	350	350	350
post offset	15	15	15	15	15
standover height	705	751	778	804	835

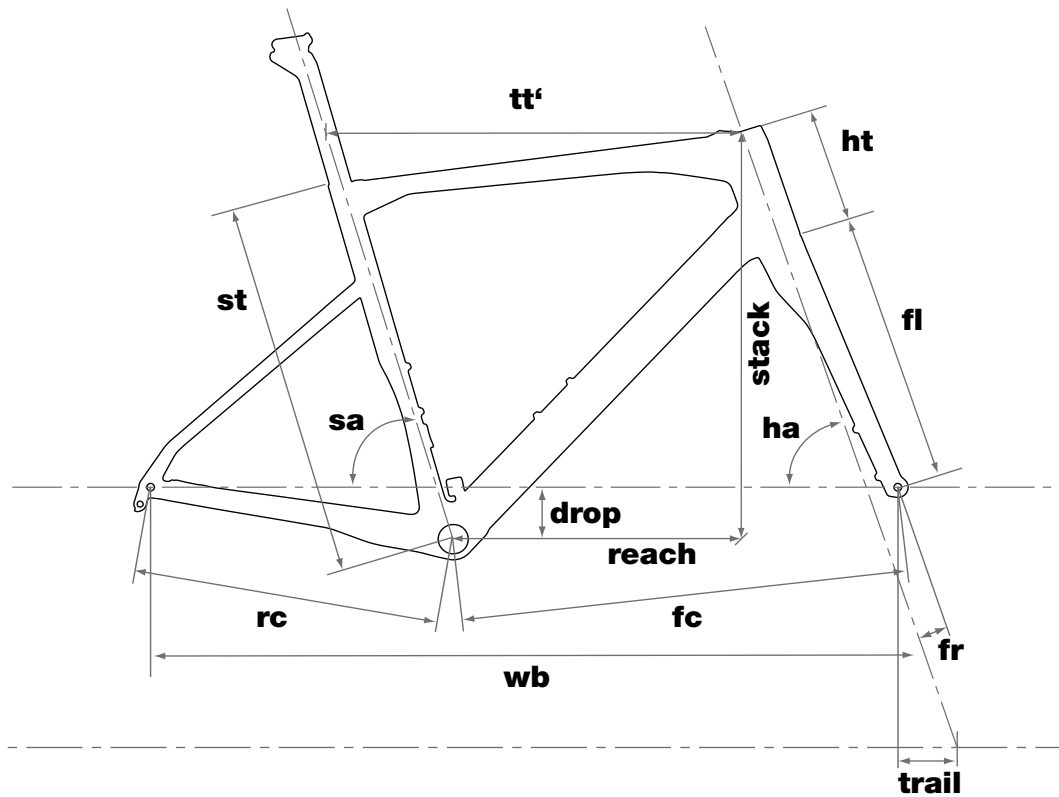


Geometry

size	47	51	54	57	60
rider height	<168	166-174	172-180	178-188	>186
stack	515	539	559	583	610
reach	365	374	383	391	402
seat tube st	442	505	535	565	600
top tub tt	518	534	549	564	583
chainstay rc	410	410	410	410	410
headtube ht	118	138	157	182	210
BB drop	69	69	69	69	69
head tube angle ha	70.5	72	72.5	72.5	72.5
fork length fl	369	369	369	369	369
fork rake fr	41.6	41.6	41.6	41.6	41.6
fork trail	76	66	63	63	63
front center fr	571	575	585	601	620
rear center rc	410	410	410	410	410
wheelbase wb	971	975	985	1001	1020
seat tube angle sa	73.5	73.5	73.5	73.5	73.5
crank length	170	170	172.5	172.5	175
stem length	90	100	110	120	120
stem angle	± 8	± 8	± 8	± 8	± 8
bar width	420	420	420	440	440
bar drop	125	125	125	125	125
bar reach	70	70	70	70	70
post length	350	350	350	350	350
post offset	15	15	15	15	15
standover height	705	751	778	804	835

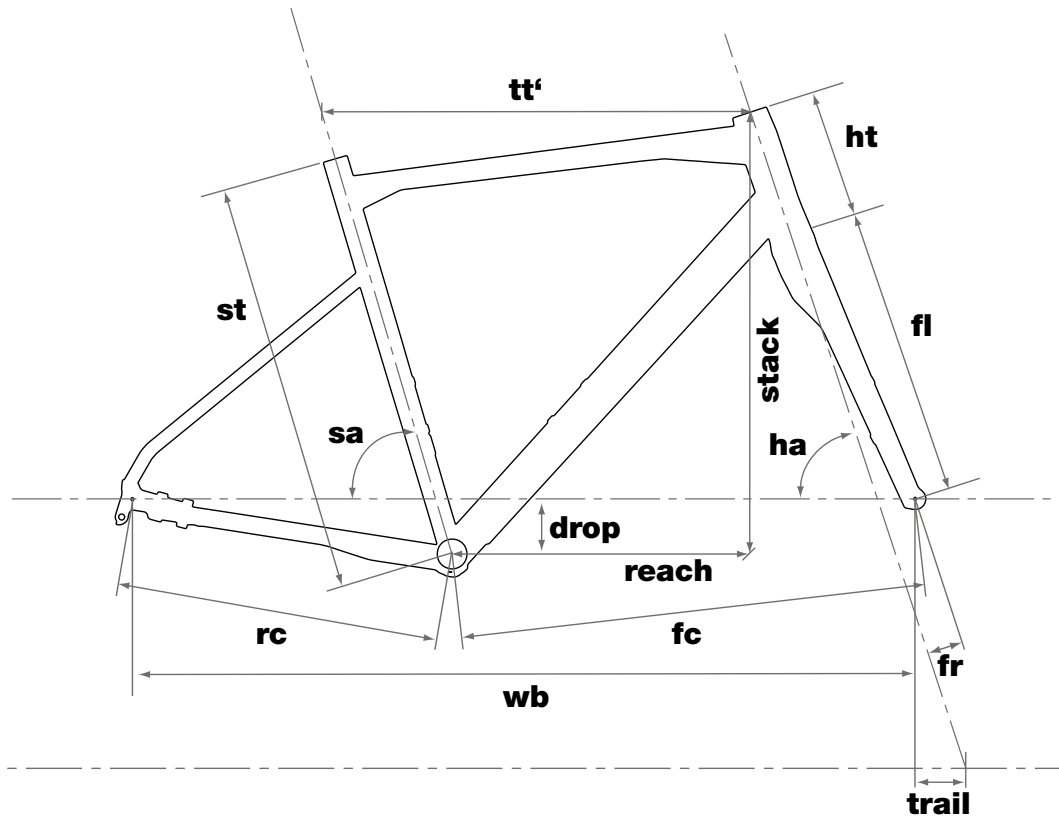

Geometry

size	47	51	54	56	58	61
rider height	<166	166-174	172-180	178-186	184-192	>190
stack mm	514 / 530	539 / 555	560 / 576	574 / 590	593 / 609	617 / 633
reach mm	375 / 369	378 / 372	387 / 382	393 / 388	400 / 395	407 / 402
seat tube st mm	420	464	507	522	539	573
top tube tt' mm	522	532	546	556	568	583
head tube ht mm	95	122	138	154	173	198
seat angle sa °	74.2	74.2	74.2	74.2	74.2	74.2
head angle ha °	71.2	71.2	72	72	72	72
rear center rc mm	410	410	410	410	410	410
front center fc mm	583.7	595	597	608	622	636
wheelbase wb mm	983	995	997	1008	1022	1036
bb drop mm	71	71	71	71	71	71
fork length fl mm	369	369	369	369	369	369
fork rake fr mm	50	50	45	45	45	45
trail mm	63	63	63	63	63	63
crank length mm	170	170	172.5	172.5	172.5	175
stem length mm	90	90	100	110	120	120
stem angle °	-12.5	-12.5	-12.5	-12.5	-12.5	-12.5
bar width mm	400	420	420	420	440	440
bar drop mm	125	125	125	125	125	125
bar reach mm	70	70	70	70	70	70
post length mm	250	250	310	310	310	310
post offset mm	15	15	15	15	15	15
standover height mm	717	757	786	803	820	849



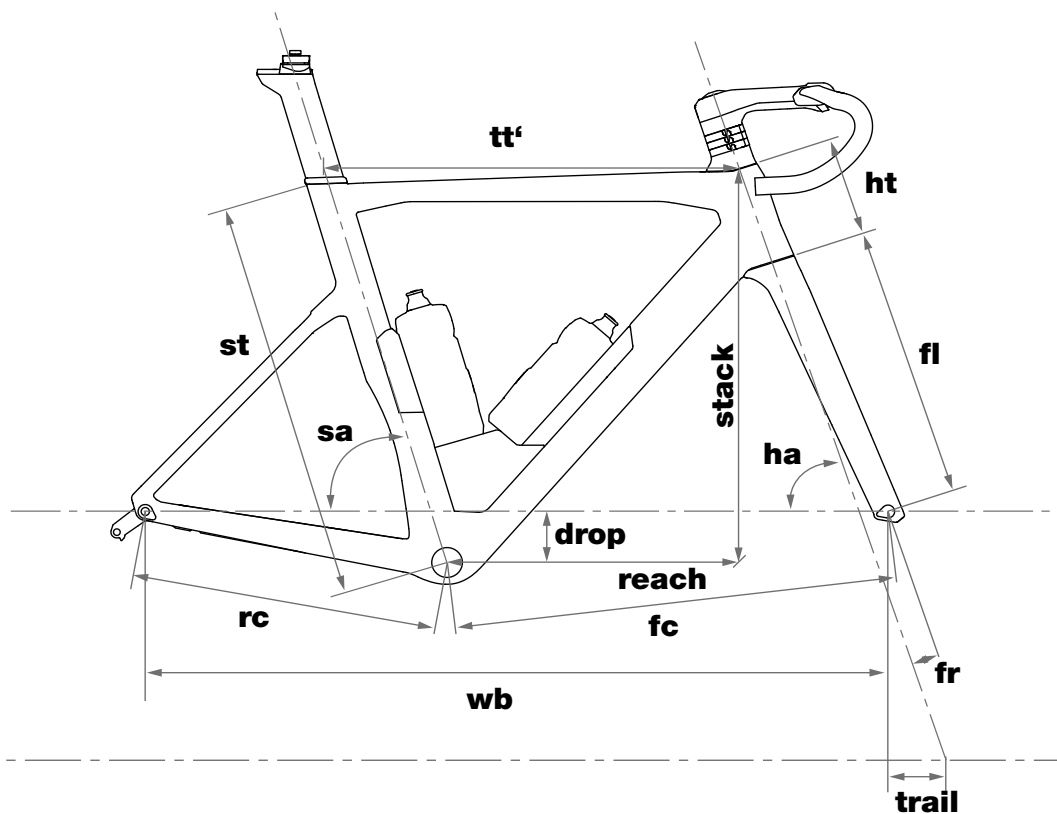
Geometry

size	47	51	54	56	58	61
rider height	<166	166-174	172-180	178-186	184-192	>190
stack mm	514 / 530	539 / 555	560 / 576	574 / 590	593 / 609	617 / 633
reach mm	375 / 369	378 / 372	387 / 382	393 / 388	400 / 395	407 / 402
seat tube st mm	420	464	507	522	539	573
top tube tt' mm	522	532	546	556	568	583
head tube ht mm	95	122	138	154	173	198
seat angle sa °	74.2	74.2	74.2	74.2	74.2	74.2
head angle ha °	71.2	71.2	72	72	72	72
rear center rc mm	410	410	410	410	410	410
front center fc mm	583.7	595	597	608	622	636
wheelbase wb mm	983	995	997	1008	1022	1036
bb drop mm	71	71	71	71	71	71
fork length fl mm	369	369	369	369	369	369
fork rake fr mm	50	50	45	45	45	45
trail mm	63	63	63	63	63	63
crank length mm	170	170	172.5w	172.5	172.5	175
stem length mm	90	90	100	110	120	120
stem angle °	±6	±6	±6	±6	±6	±6
bar width mm	400	420	420	420	440	440
bar drop mm	125	125	125	125	125	125
bar reach mm	70	70	70	70	70	70
post length mm	250	250	310	310	310	310
post offset mm	15	15	15	15	15	15
standover height mm	717	757	786	803	820	849



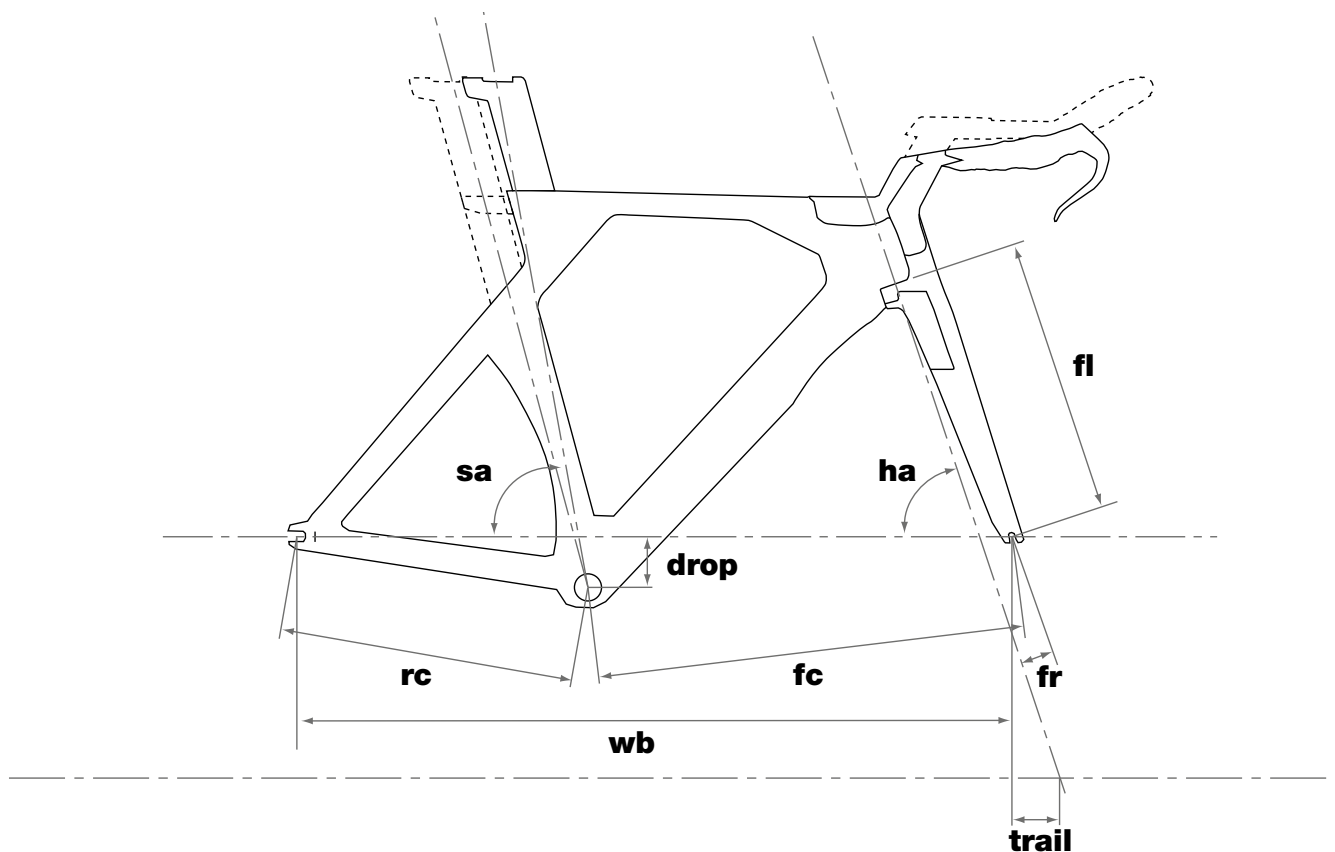
Geometry

size	47	51	54	56	58	61
rider height	<166	166-174	172-180	178-186	184-192	>190
stack mm	525	550	571	585	604	628
reach mm	376	376	385	391	400	408
seat tube st mm	465	490	533	548	564	600
top tube tt' mm	532	539	554	564	579	594
head tube ht mm	128	154	172	187	205	228
seat angle sa °	73.5	73.5	73.5	73.5	73.5	73.5
head angle ha °	70.5	70.5	71.5	71.5	72	72.5
rear center rc mm	420	420	420	420	420	420
front center fc mm	589	598	607	615	625	640
wheelbase wb mm	998	1007	1016	1024	1034	1044
bb drop mm	71	71	71	71	71	71
fork length fl mm	369	369	369	369	369	369
fork rake fr mm	45	45	45	45	45	45
trail mm	73	73	66	66	63	60
crank length mm	170	170	172.5	172.5	175	175
stem length mm	90	90	100	100	110	110
stem angle °	± 8	± 8	± 8	± 8	± 8	± 8
bar width mm	400	420	420	420	440	440
bar drop mm	125	125	125	125	125	125
bar reach mm	70	70	70	70	70	70
post length mm	250	250	310	310	310	310
post offset mm	15	15	15	15	15	15
standover height mm	717	757	786	803	820	849

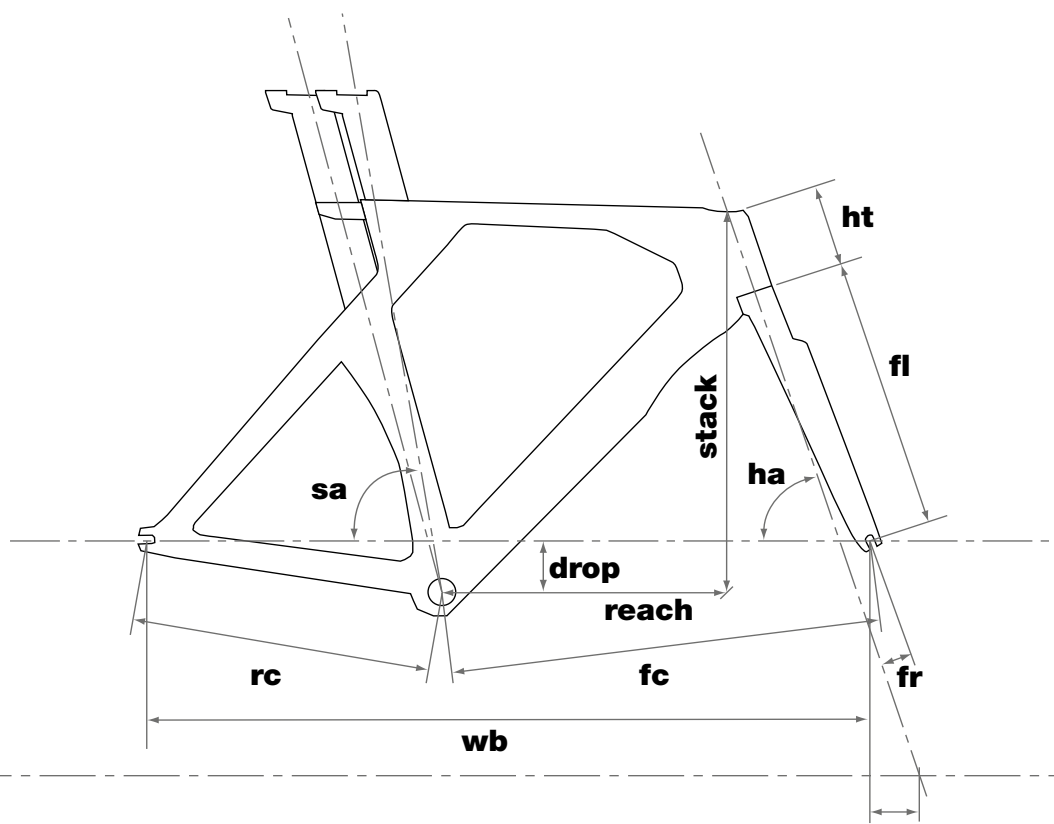


Geometry

size	47	51	54	56	58	61
rider height	<166	166-174	172-180	178-186	184-192	>190
stack mm	496	520	540	555	574	598
reach mm	373	381	390	395	405	413
seat tube st mm	480	518	548	568	588	611
top tube tt' mm	520	535	550	560	575	590
head tube ht mm	71.2	71.2	72	72	72	72
seat angle sa °	73.5	73.5	73.5	73.5	73.5	73.5
head angle ha °	71.2	71.2	72	72	72	72
rear center rc mm	410	410	410	410	410	410
front center fc mm	577	592	594	604	620	636
wheelbase wb mm	975	991	994	1004	1020	1036
bb drop mm	70	70	70	70	70	70
fork length fl mm	379	379	374	374	374	374
fork rake fr mm	50	50	45	45	45	45
trail mm	62	62	62	62	62	62
crank length mm	170	170	172.5	172.5	175	175
stem length mm	100	100	110	110	120	120
stem angle °	-15	-15	-15	-15	-15	-15
bar width mm	400	400	420	420	440	440
bar drop mm	122	122	122	122	122	122
bar reach mm	66	66	66	66	66	66
post length mm	210	210	270	270	270	270
post offset mm	0-15-30	0-15-30	0-15-30	0-15-30	0-15-30	0-15-30
standover height mm	743	774	799	816	834	858

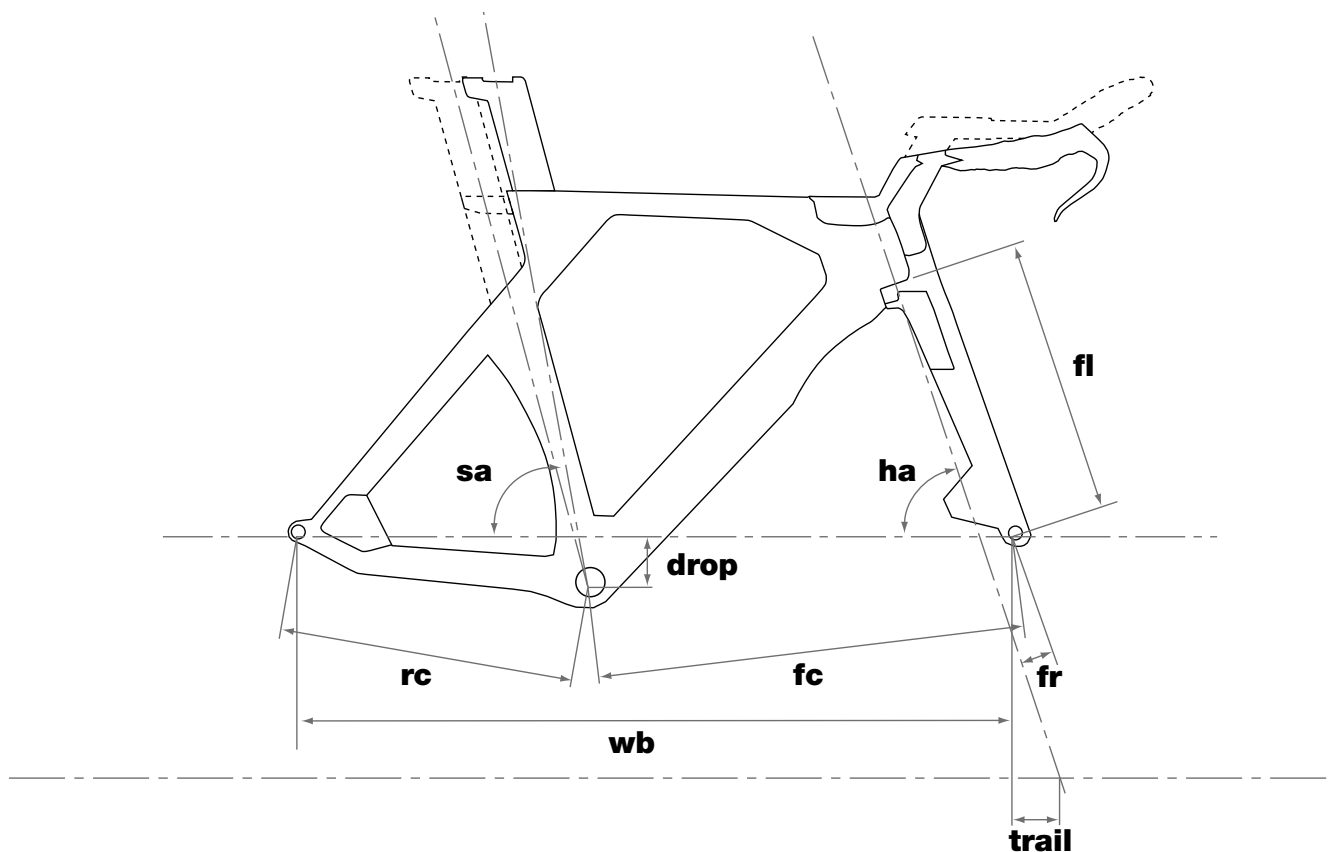

Geometry

size	S	M - S	M - L	L
saddle height range mm	630 - 780	660 - 850	660 - 850	700 - 880
stack mm	480	515	515	556
reach mm	393	377	418	442
pad stack V-Cockpit mm	593 - 643	616 - 665	616 - 665	656 - 705
pad reach V-Cockpit mm	366 - 530	359 - 522	400 - 563	417 - 580
base bar reach V-Cockpit mm	617	611	652	669
base bar drop V-Cockpit mm	+85	+85	+85	+85
pad stack Flat Cockpit mm	535 - 610	555 - 630	555 - 630	595 - 670
pad reach Flat Cockpit mm	388 - 474	381 - 467	422 - 508	438 - 524
base bar reach Flat Cockpit mm	619	612	653	670
base bar drop Flat Cockpit mm	+/- 80	+/- 80	+/- 80	+/- 80
base bar width mm	400	400	400	400
seat tube st mm (@74.5°)	495	550	550	592
seat angle sa °	71.5 - 80.8	71.5 - 80.8	71.5 - 80.8	71.5 - 80.8
head angle ha °	71.5	71.5	71.5	71.5
rear center rc mm	393-404	393-404	393-404	393-404
front center fc mm	580	578	619	649
wheelbase wb mm	964	967	1008	1038
bb drop mm	58	68	68	68
fork length fl mm	374	374	374	374
fork rake fr mm	45	45	45	45
trail mm	60	60	60	60
crank length mm	170	170	170	172.5
stem length mm	p2p	p2p	p2p	p2p
stem angle °	p2p	p2p	p2p	p2p
post offset mm	27/ 9 / -9 / -27	27/ 9 / -9 / -27	27/ 9 / -9 / -27	27/ 9 / -9 / -27
standover height mm	755	797	797	838



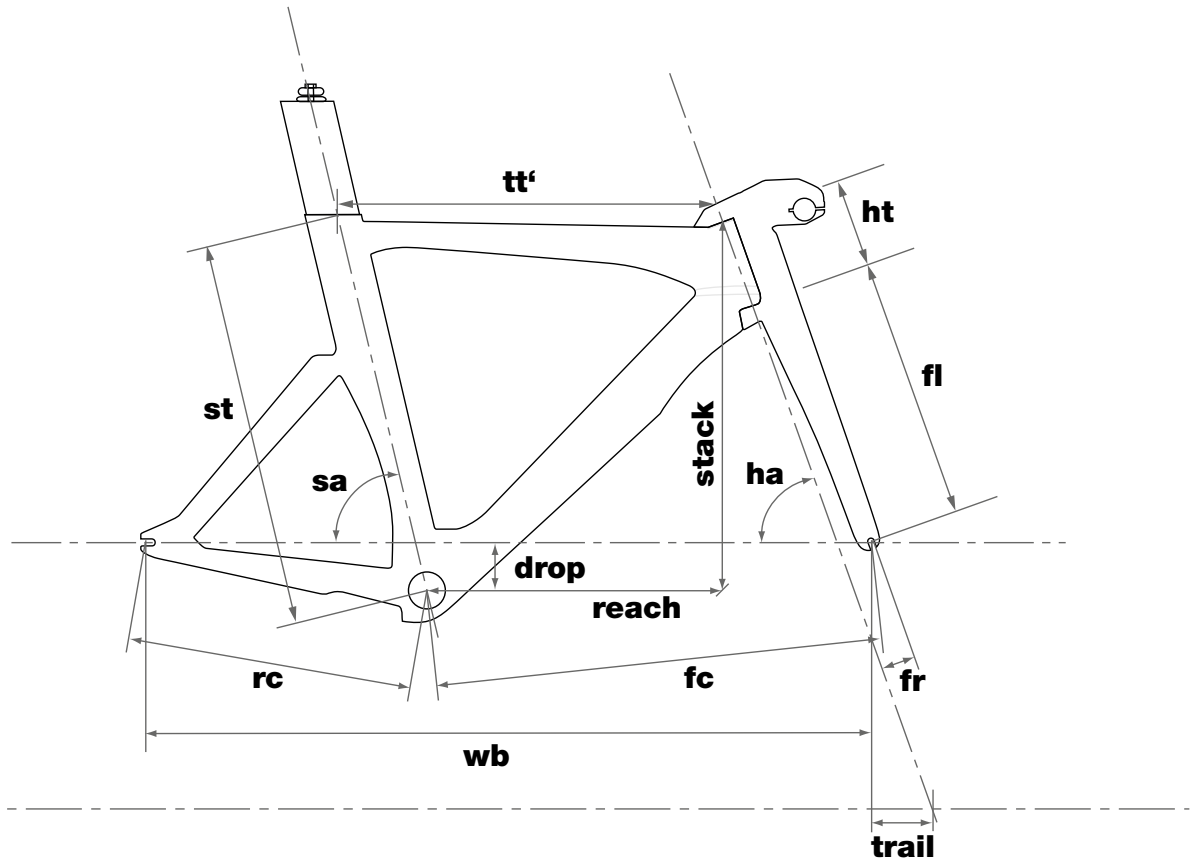
Geometry

size	S	M - S	M - L	L
saddle height range mm	630 - 780	660 - 850	660 - 850	700 - 880
stack mm	480	515	515	556
reach mm	393	377	418	442
seat tube st mm (@74.5°)	495	550	550	592
seat angle sa °	71.5 - 80.8	71.5 - 80.8	71.5 - 80.8	71.5 - 80.8
head angle ha °	71.5	71.5	71.5	71.5
rear center rc mm	393-404	393-404	393-404	393-404
front center fc mm	580	578	619	649
wheelbase wb mm	964	967	1008	1038
bb drop mm	58	68	68	68
fork length fl mm	374	374	374	374
fork rake fr mm	45	45	45	45
trail mm	60	60	60	60
crank length mm	170	170	170	172.5
stem length mm	90	90	100	110
stem angle °	± 6	± 6	± 6	± 6
base bar width mm	400	420	420	420
post offset mm	27/ 9 / -9 / -27	27/ 9 / -9 / -27	27/ 9 / -9 / -27	27/ 9 / -9 / -27
standover height mm	755	797	797	838



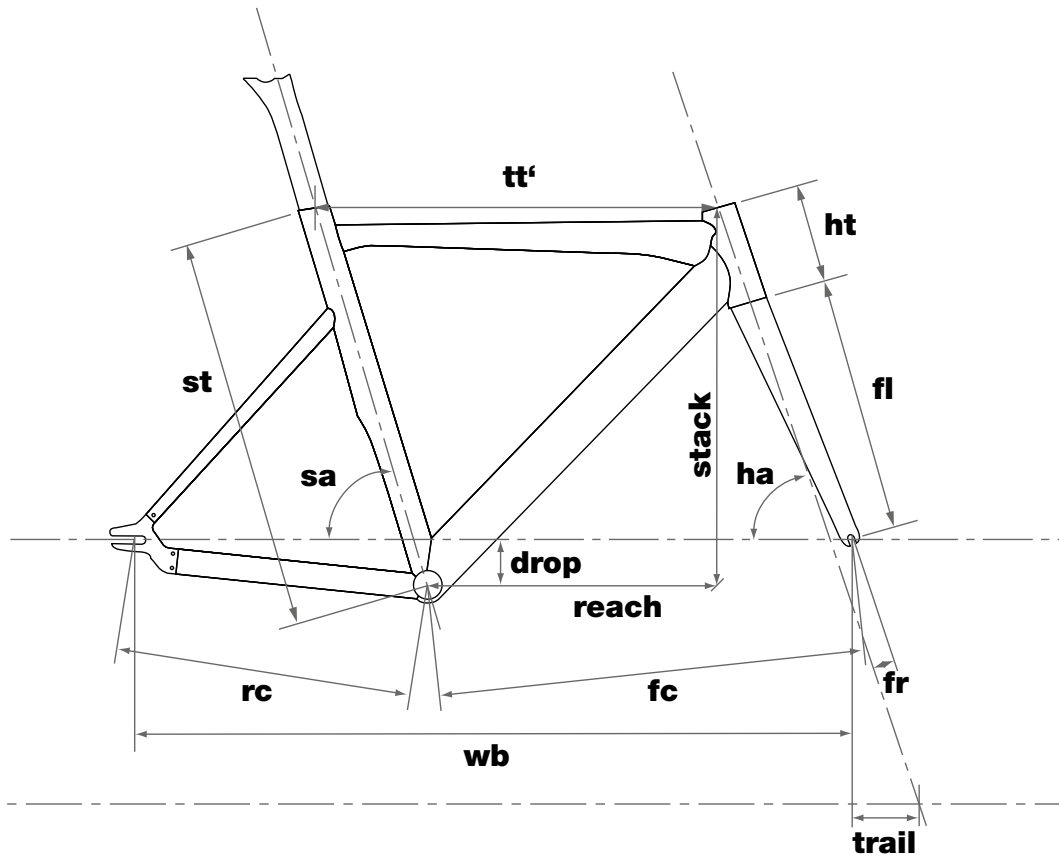
Geometry

size	S	M - S	M - L	L
saddle height range mm	630 - 780	660 - 850	660 - 850	700 - 880
stack mm	480	515	515	556
reach mm	393	377	418	442
pad stack V-Cockpit mm	593 - 643	616 - 665	616 - 665	656 - 705
pad reach V-Cockpit mm	366 - 530	359 - 522	400 - 563	417 - 580
base bar reach V-Cockpit mm	617	611	652	669
base bar drop V-Cockpit mm	+85	+85	+85	+85
pad stack Flat Cockpit mm	535 - 610	555 - 630	555 - 630	595 - 670
pad reach Flat Cockpit mm	388 - 474	381 - 467	422 - 508	438 - 524
base bar reach Flat Cockpit mm	619	612	653	670
base bar drop Flat Cockpit mm	+/- 80	+/- 80	+/- 80	+/- 80
base bar width mm	400	400	400	400
seat tube st mm (@74.5°)	495	550	550	592
seat angle sa °	71.5 - 80.8	71.5 - 80.8	71.5 - 80.8	71.5 - 80.8
head angle ha °	71.5	71.5	71.5	71.5
rear center rc mm	400	400	400	400
front center fc mm	580	578	619	649
wheelbase wb mm	972	968	1009	1039
bb drop mm	58	68	68	68
fork length fl mm	374	374	374	374
fork rake fr mm	45	45	45	45
trail mm	60	60	60	60
crank length mm	170	170	170	172.5
stem length mm	p2p	p2p	p2p	p2p
stem angle °	p2p	p2p	p2p	p2p
post offset mm	27/ 9 / -9 / -27	27/ 9 / -9 / -27	27/ 9 / -9 / -27	27/ 9 / -9 / -27
standover height mm	755	797	797	838



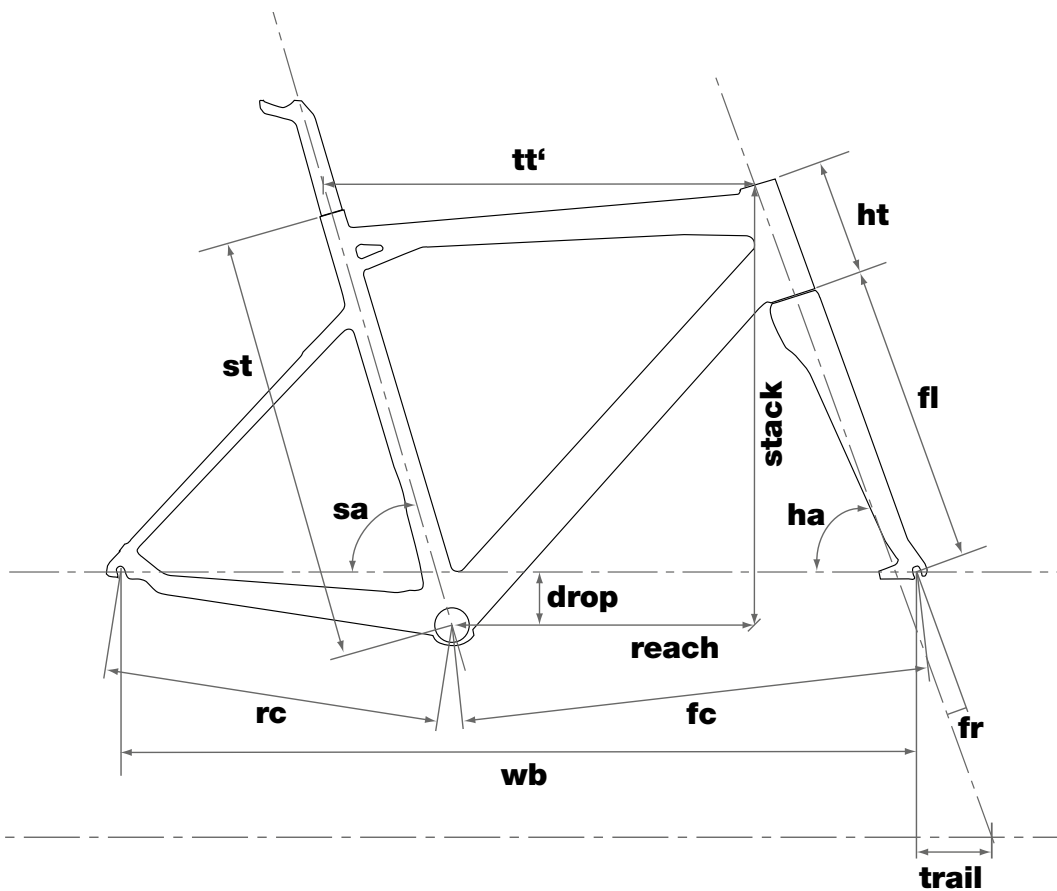
Geometry

size	S	M	L
stack mm	471	506	544
reach mm	390	408	430
seat tube st mm	505	542	582
top tube tt' mm	525	553	585
head tube ht mm	94	134	163
seat angle sa °	74	74	74
head angle ha °	72	72	72
rear center rc mm	390-420	390-420	390-420
front center fc mm	586	604	626
wheelbase wb mm	963	981	1003
bb drop mm	50	58	58
fork length fl mm	363	363	363
fork rake fr mm	48	48	48
trail mm	59	59	59
crank length mm	165	170	170
stem length mm	P2P	P2P	P2P
stem angle °	P2P	P2P	P2P
bar width mm	370	370	370
bar drop mm	148	148	148
bar reach mm	82	82	82
post length mm	325	385	382
post offset mm	30 / 10 / -10 / -30	30 / 10 / -10 / -30	30 / 10 / -10 / -30
standover height mm	751	779	817



Geometry

size	XS	S	M	L
stack mm	476	490	525	563
reach mm	387	395	402	413
seat tube st mm	490	520	550	585
top tube tt' mm	528	540	558	580
head tube ht mm	95	110	138	178
seat angle sa °	73.5	73.5	73.5	73.5
head angle ha °	73	73	73	73
rear center rc mm	390-420	390-420	390-420	390-420
front center fc mm	564	577	592	616
wheelbase wb mm	949	956	975	999
bb drop mm	50	50	58	58
fork length fl mm	364	364	364	364
fork rake fr mm	43	43	43	43
trail mm	58	58	58	58
crank length mm	165	165	170	170
stem length mm	90	100	110	120
stem angle °	± 6	± 6	± 6	± 6
bar width mm	380	380	400	400
bar drop mm	125	125	125	125
bar reach mm	70	70	70	70
post length mm	320	320	320	320
post offset mm	15	15	15	15
standover height mm	725	749	780	807



Geometry

size	48	51	54	57	60
stack mm	506	530	550	572	601
reach mm	368	377	386	394	405
seat tube st mm	475	505	535	565	600
top tube tt' mm	518	534	549	563	583
head tube ht mm	108	128	148	171	201
seat angle sa °	73.5	73.5	73.5	73.5	73.5
head angle ha °	70.5	72	72.5	72.5	72.5
rear center rc mm	425	425	425	425	425
front center fc mm	576	580	591	605	625
wheelbase wb mm	994	997	1008	1022	1043
bb drop mm	62	62	62	62	62
fork length fl mm	377	377	377	377	377
fork rake fr mm	45	45	45	45	45
trail mm	76	66	63	63	63
crank length mm	170	170	172.5	172.5	175
stem length mm	90	100	110	120	120
stem angle °	± 6	± 6	± 6	± 6	± 6
bar width mm	400	420	420	420	440
bar drop mm	125	125	125	125	125
bar reach mm	70	70	70	70	70
post length mm	400	400	400	400	400
post offset mm	3	3	3	3	3
standover height mm	735	763	796	813	845