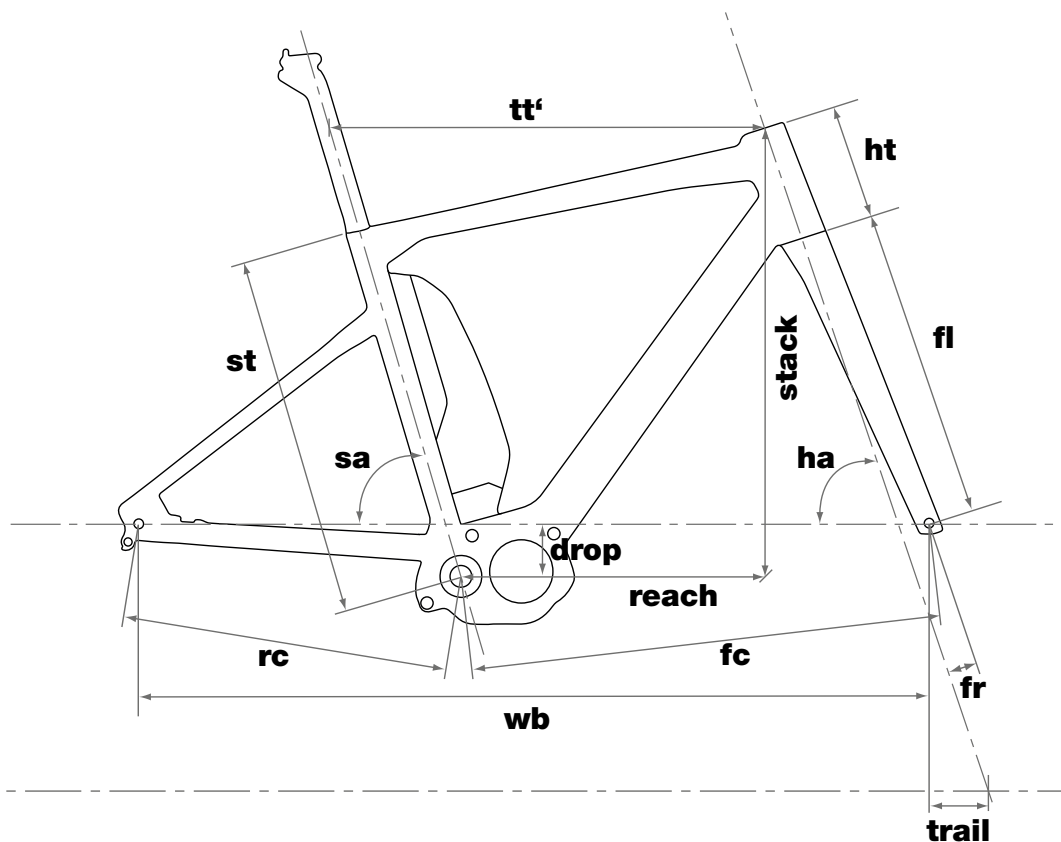


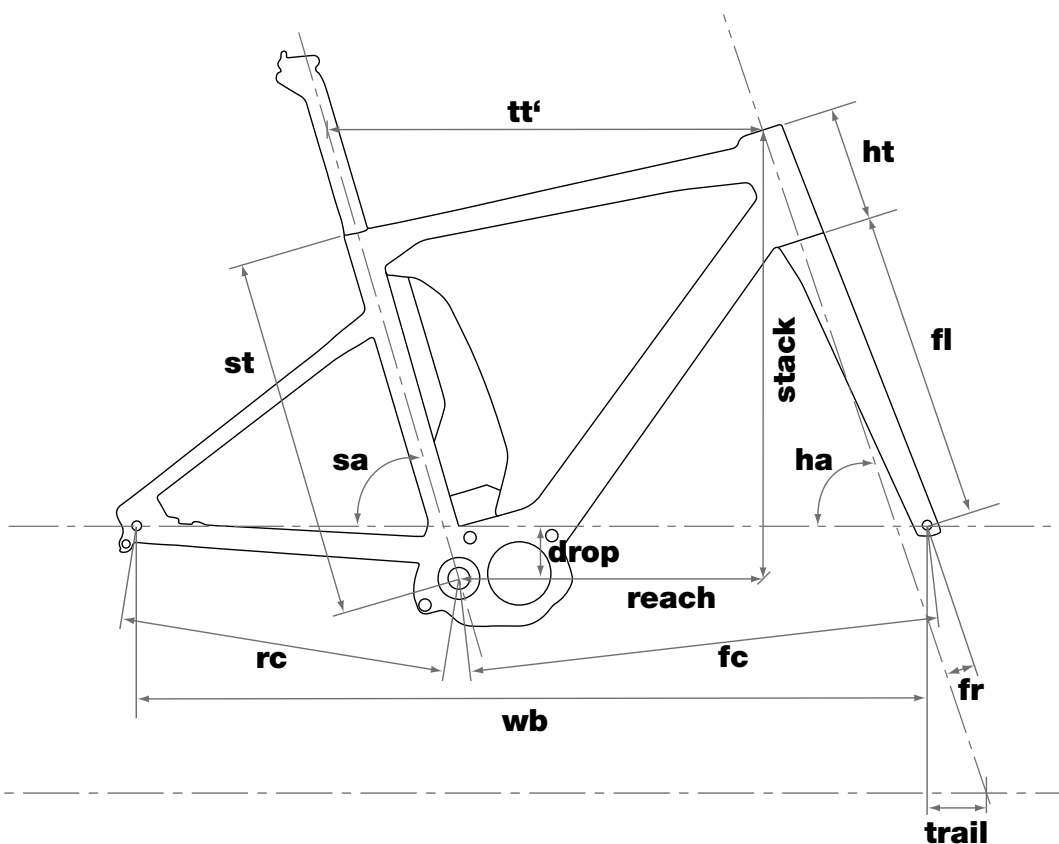
Geometry

size	S	M	L
rider height	<170	170-185	>180
stack mm	565	600	635
reach mm	380	405	425
seat tube st mm	443	480	538
top tube tt' mm	548	583	608
head tube ht mm	120	157	193
seat angle sa °	73.5	73.5	73.5
head angle ha °	71.25	72	72
rear center rc mm	435	435	435
front center fc mm	592	628	659
wheelbase wb mm	1024	1053	1085
bb drop mm	70	70	70
fork length fl mm	415	415	415
fork rake fr mm	45	45	45
trail mm	70	65	65
crank length mm	170	170	170
stem length mm	90	90	100
stem angle °	± 8	± 8	± 8
bar width mm	680	680	680
post length mm	310	310	310
post offset mm	15	15	15
standover height mm	745	777	823



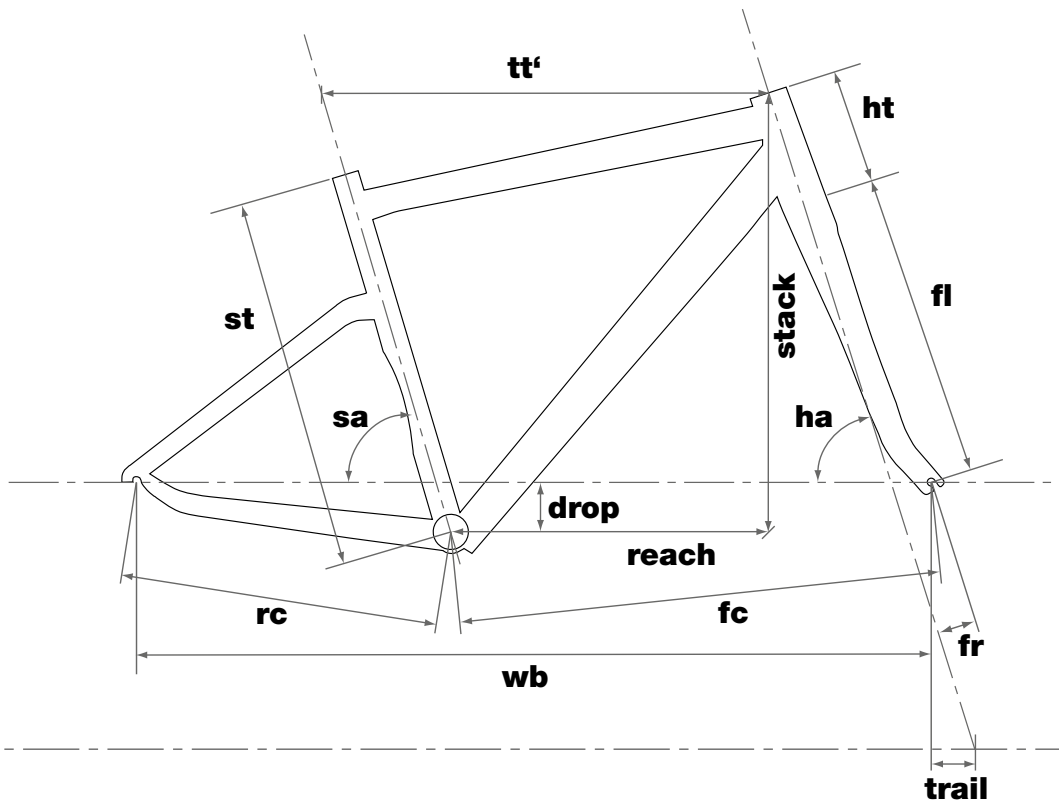
Geometry

size	S	M	L
rider height	<170	170-185	>180
stack mm	565	600	635
reach mm	380	405	425
seat tube st mm	443	480	538
top tube tt' mm	548	583	608
head tube ht mm	120	157	193
seat angle sa °	73.5	73.5	73.5
head angle ha °	71.25	72	72
rear center rc mm	435	435	435
front center fc mm	592	628	659
wheelbase wb mm	1024	1053	1085
bb drop mm	70	70	70
fork length fl mm	415	415	415
fork rake fr mm	45	45	45
trail mm	70	65	65
crank length mm	170	170	170
stem length mm	90	90	100
stem angle °	± 8	± 8	± 8
bar width mm	680	680	680
post length mm	310	310	310
post offset mm	15	15	15
standover height mm	745	777	823



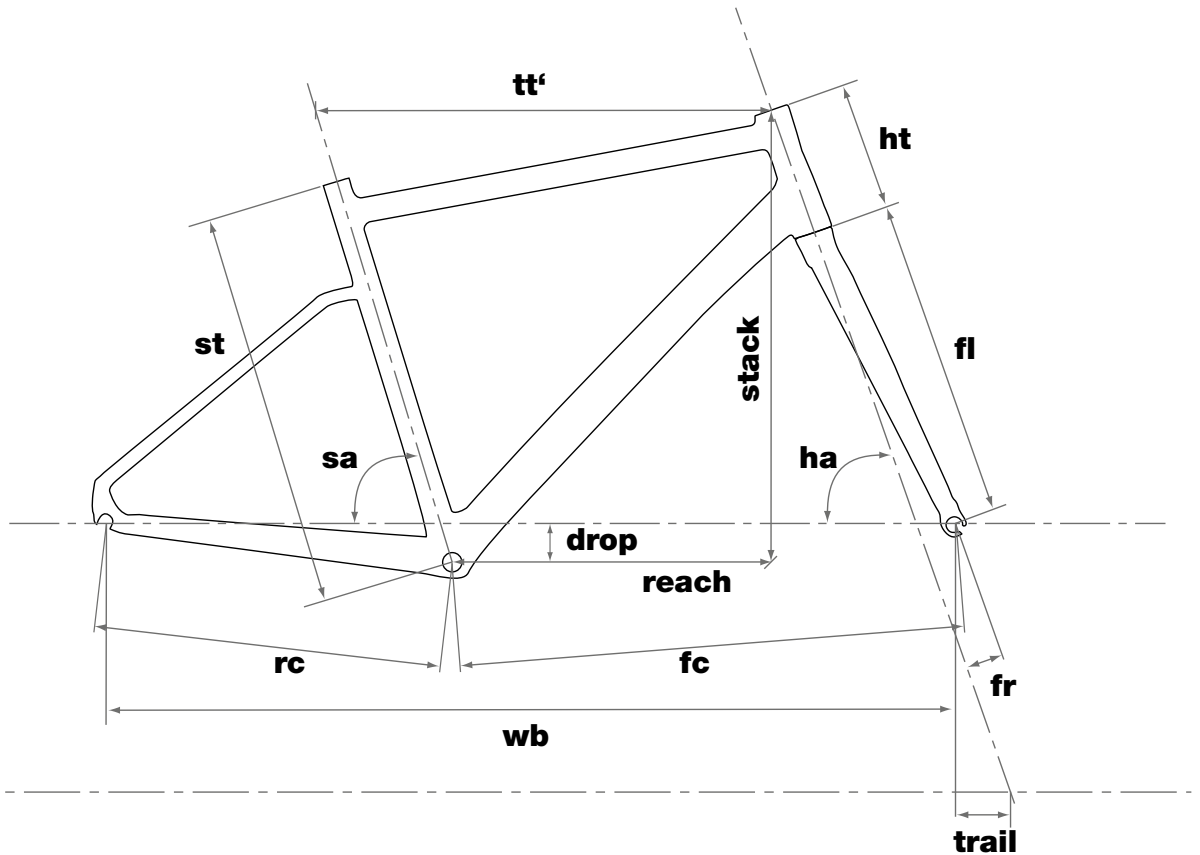
Geometry

size	S	M	L
rider height	<170	170-185	>180
stack mm	565	600	635
reach mm	380	405	425
seat tube st mm	443	480	538
top tube tt' mm	548	583	608
head tube ht mm	120	157	193
seat angle sa °	73.5	73.5	73.5
head angle ha °	71.25	72	72
rear center rc mm	435	435	435
front center fc mm	592	628	659
wheelbase wb mm	1024	1053	1085
bb drop mm	70	70	70
fork length fl mm	415	415	415
fork rake fr mm	45	45	45
trail mm	70	65	65
crank length mm	170	170	170
stem length mm	90	90	100
stem angle °	± 8	± 8	± 8
bar width mm	680	680	680
post length mm	310	310	310
post offset mm	15	15	15
standover height mm	745	777	823



Geometry

size	S	M	L	XL
rider height	<168	168-180	178-190	>190
stack mm	533	571	590	628
reach mm	390	406	415	431
seat tube st mm	440	485	515	560
top tube tt' mm	547	575	590	617
head tube ht mm	100	140	160	200
seat angle sa °	73.5	73.5	73.5	73.5
head angle ha °	72	72	72	72
rear center rc mm	412	412	412	412
front center fc mm	591	620	635	663
wheelbase wb mm	992	1022	1037	1075
bb drop mm	71	71	71	71
fork length fl mm	400	400	400	400
fork rake fr mm	45	45	45	45
trail mm	63	63	63	63
crank length mm	170	170	175	175
stem length mm	90	100	110	120
stem angle °	±12	±12	±12	±12
bar width mm	600	600	600	600
post length mm	350	350	350	350
post offset mm	15	15	15	15
standover height mm	724	767	787	828



Geometry

size	S	M	L	XL
rider height	<168	168-180	178-190	>190
stack mm	530	571	591	630
reach mm	390	405	415	430
seat tube st mm	440	510	560	610
top tube tt' mm	552	585	601	634
head tube ht mm	122	165	187	228
seat angle sa °	73	72.5	72.5	72
head angle ha °	71	71	71	71
rear center rc mm	436	436	436	436
front center fc mm	608	637	654	682
wheelbase wb mm	1039	1068	1085	1113
bb drop mm	50	50	50	50
fork length fl mm	405	405	405	405
fork rake fr mm	48	48	48	48
trail mm	68	68	68	68
crank length mm	170	170	175	175
stem length mm	90	100	110	120
stem angle °	±12	±12	±12	±12
bar width mm	600	600	600	600
post length mm	350	350	350	350
post offset mm	15	15	15	15
standover height mm	740	797	828	863