



Technical Bulletin (TB-0061)

Compressor to Pressure Vessel Mounting Instructions

Version 1, June 2017

Compressor to Pressure Vessel Mounting Instructions

Purpose & Scope

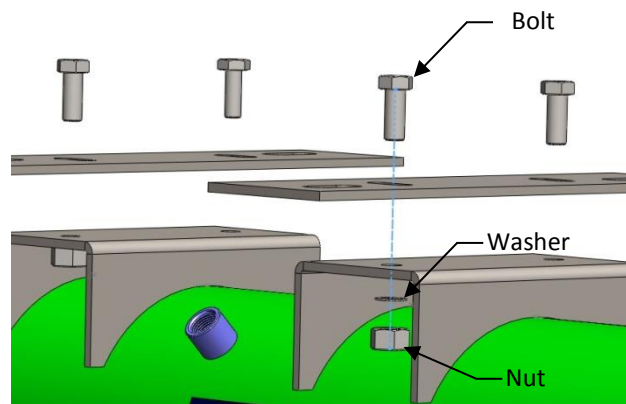
This document provides instruction on the installation of a compressor to a pressure vessel using a mounting kit. Installation of the compressor should be performed by an appropriately trained technician who assumes responsibilities for any risks involved in the process.

Mounting Instructions

Tools required: 19 mm socket wrench, safety glasses, and a gantry.

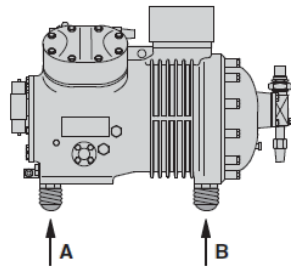
Parts required: Kit for mounting compressor.

1. Mount the base plate on the bracket. The brackets come welded to the pressure vessel. The base plate mounts with the four M12 bolts included in the kit. The bolt heads go on top of the base plate and through the base plate and the bracket. Lock washers are then placed on the bolt as well as a matching nut. Tighten all bolts to 87.5 ft*lbs or 117 Nm.



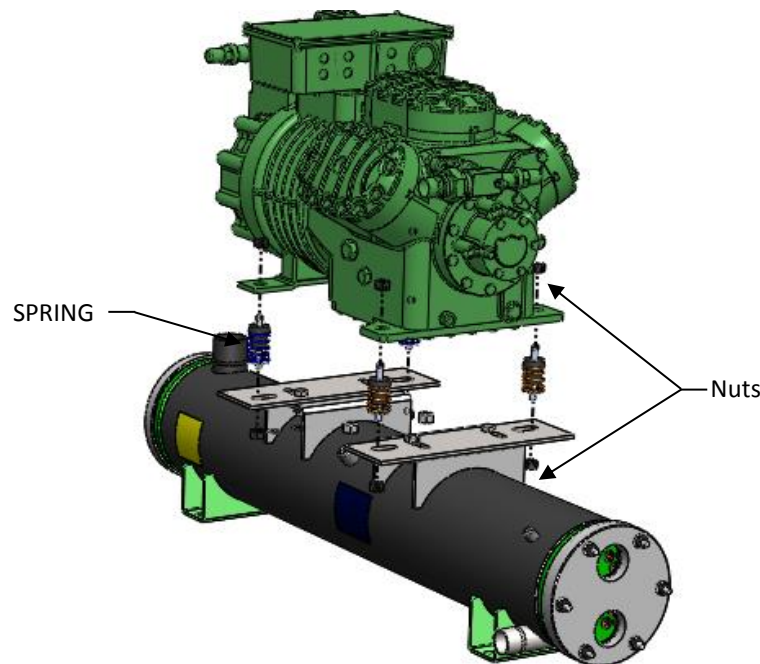
2. Mount the compressor on top of the pressure vessel using a gantry. Compressors range in weight from 95 lbs to 880 lbs. Use extreme caution and avoid injury.

3. Mount bolts through the top of the feet of the compressor through the base plate. Place lock washers on the bolt as well as a matching nut. Tighten all bolts. Examples of spring and vibration mounts are below.

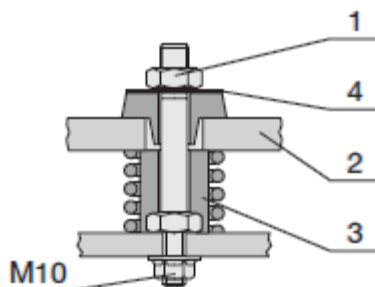


Spring Mounting Kit Part Numbers

| Part Number | Corresponding Mounting Kit Number | Crankcase Side (A) | Motor Side (B) |
|------------------------------|-----------------------------------|--------------------|----------------|
| (2) 370004-01, (2) 370003-05 | P000000606 | Brown | Yellow |
| (2) 370003-07, (2) 370003-05 | P000000607 | Brown | Yellow |
| (2) 370004-01, (2) 370004-02 | P000000608 | Brown | Red |
| (2) 370004-01, (2) 370004-03 | P000000611 | Brown | Blue |



Before Transportation



Anti-vibration mounting type II

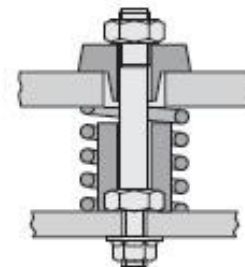
Before transport:

- Tighten the self-locking nut ① until the baseplate of the compressor ② rests on the guide sleeve ③.

After installation:

- Loosen the nut ① until the slotted washer ④ can be removed.
- Remove the slotted washer ④.

After Transportation



Vibration Dampening Pad Part Numbers

| Part Number | Corresponding Mounting Kit Number |
|---------------|-----------------------------------|
| (4) 370000-19 | P000000599 |
| (4) 370000-20 | P000000600 |
| (4) 370000-20 | P000000605 |

