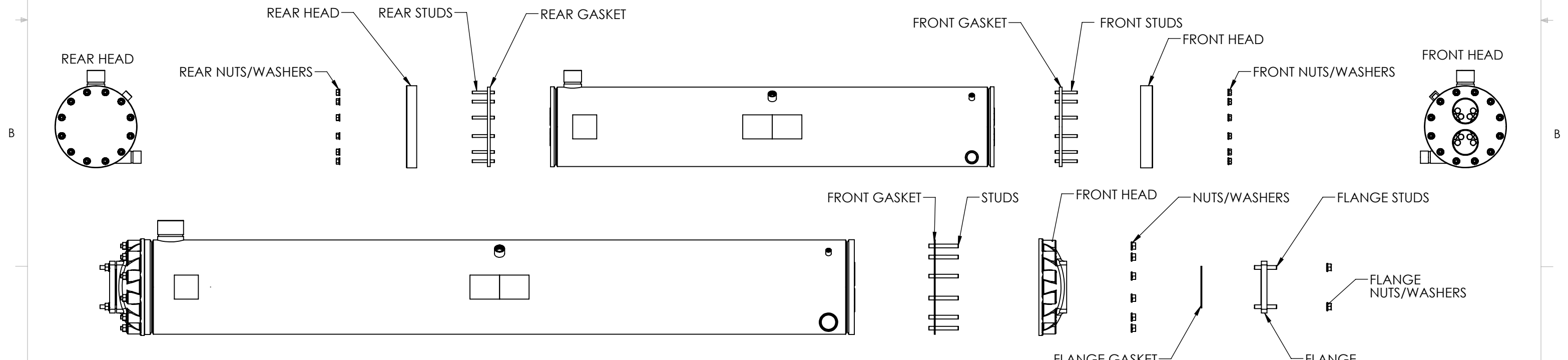


CONDENSER	FRONT HEAD	FRONT GASKET	READ HEAD	REAR GASKET	FRONT STUDS/WASHERS/NUTS (QTY)	REAR STUDS/WASHERS/NUTS (QTY)	FLANGE	FLANGE GASKET	FLANGE STUDS/WASHERS/NUTS (QTY)
STC005_S-__	P00000051	P00000074	P00000063	P00000067	PR00000032/PR00000024/PR00000019 (6)	PR00000031/PR00000024/PR00000019 (6)	-	-	-
STC007_S-__	P00000052	P00000074	P00000063	P00000067	PR00000032/PR00000024/PR00000019 (6)	PR00000031/PR00000024/PR00000019 (6)	-	-	-
STC010_S-__	P00000052	P00000074	P00000063	P00000067	PR00000032/PR00000024/PR00000019 (6)	PR00000126/PR00000024/PR00000019 (6)	-	-	-
STC015_S-__	P000001806	P00000107	P000001807	P00000068	PR00000032/PR00000024/PR00000019 (6)	PR00000032/PR00000024/PR00000019 (6)	-	-	-
STC020_S-__	P000001876	P00000068	P000001602	P00000114	PR00000032/PR00000024/PR00000019 (6)	PR00000032/PR00000024/PR00000019 (6)	-	-	-
STC020_S-_L_	P000002000	P00000075	P000001997	P00000068	PR00000032/PR00000024/PR00000019 (6)	PR00000032/PR00000024/PR00000019 (6)	-	-	-
STC025_S-__	P000001876	P00000068	P000001602	P00000114	PR00000032/PR00000024/PR00000019 (6)	PR00000032/PR00000024/PR00000019 (6)	-	-	-
STC025_S-_L_	P000002000	P00000075	P000001997	P00000068	PR00000032/PR00000024/PR00000019 (6)	PR00000032/PR00000024/PR00000019 (6)	-	-	-
STC030_S-__	P00000054	P00000069	P000001444	P00000078	P000000867/PR00000024/PR00000019 (12)	P000000867/PR00000024/PR00000019 (12)	-	-	-
STC030_S-_L_	P00000167	P00000076	P000001452	P00000069	P000000867/PR00000024/PR00000019 (12)	P000000867/PR00000024/PR00000019 (12)	-	-	-
STC040_S-__	P000001122	P00000069	P000001444	P00000078	P000000867/PR00000024/PR00000019 (12)	P000000867/PR00000024/PR00000019 (12)	-	-	-
STC040_S-_L_	P00000167	P00000076	P000001452	P00000069	P000000867/PR00000024/PR00000019 (12)	P000000867/PR00000024/PR00000019 (12)	-	-	-
STC050_S-__	P000001122	P00000069	P000001444	P00000078	P000000867/PR00000024/PR00000019 (12)	P000000867/PR00000024/PR00000019 (12)	-	-	-
STC050_S-_L_	P00000167	P00000076	P000001452	P00000069	P000000867/PR00000024/PR00000019 (12)	P000000867/PR00000024/PR00000019 (12)	-	-	-
STC060_S-__	P00000056	P00000070	P00000066	P00000079	PR00000111/PR00000026/PR00000021 (12)	PR00000111/PR00000026/PR00000021 (12)	-	-	-
STC070_S-__	P00000056	P00000070	P00000066	P00000079	PR00000111/PR00000026/PR00000021 (12)	PR00000111/PR00000026/PR00000021 (12)	-	-	-
STC080_S-__	P00000056	P00000070	P00000066	P00000079	PR00000111/PR00000026/PR00000021 (12)	PR00000111/PR00000026/PR00000021 (12)	-	-	-
STC100_S-__	P00000057	P00000079	P00000057	P00000079	PR00000111/PR00000026/PR00000021 (12)	PR00000111/PR00000026/PR00000021 (12)	P000000707	P000000706	P000000710/PR000000026/PR000000021 (8)
STC100_S-_L_	P00000056	P00000070	P00000066	P00000079	PR00000111/PR00000026/PR00000021 (12)	PR00000111/PR00000026/PR00000021 (12)	-	-	-
STC125_S-__	P00000057	P00000079	P00000057	P00000079	PR00000111/PR00000026/PR00000021 (12)	PR00000111/PR00000026/PR00000021 (12)	P000000707	P000000706	P000000710/PR000000026/PR000000021 (8)
STC125_S-_L_	P00000056	P00000070	P00000066	P00000079	PR00000111/PR00000026/PR00000021 (12)	PR00000111/PR00000026/PR00000021 (12)	-	-	-
STC150_S-__	P00000145	P000000622	P00000145	P000000622	P000000757(12)/PR00000027(24)/PR00000022(24)	P000000757(12)/PR00000027(24)/PR00000022(24)	-	-	-
STC200_S-__	P00000121	P00000072	P00000121	P00000072	P000000757(16)/PR00000027(32)/PR00000022(32)	P000000757(16)/PR00000027(32)/PR00000022(32)	-	-	-
STC250_S-__	P000001435	P000001437	P000001435	P000001437	P000002168(16)/PR00000027(32)/PR00000022(32)	P000002168(16)/PR00000027(32)/PR00000022(32)	-	-	-



PROPRIETARY AND CONFIDENTIAL THE INFORMATION CONTAINED IN THIS DRAWING IS THE SOLE PROPERTY OF BITZER. ANY REPRODUCTION IN PART OR AS WHOLE WITHOUT THE WRITTEN PERMISSION OF BITZER IS PROHIBITED.	VIEW CONVENTION THIRD ANGLE ANGULAR TOL ± 0° 30' FRAC TOL ± 1/8 1 INCH = 25.400000 MM	BREAK SHARP EDGES THREADS TO BE CLASS 2 DIM & TOL PER ANSI Y14.5M INCHES .X ± .050 .XX ± .015 .XXX ± .005 METRIC X ± 1 XX ± 0.5 X.XX ± 0.25 X.XXX ± 0.13	JOB# MATERIAL		TITLE: STC-S STANDARD CONDENSERS 			
			NAME DATE 10/01/2013			SIZE B	DWG. NO. TB-0048	REV
			DRAWN BK	CHECK QC APVD		SCALE: 1:13	WEIGHT: LBS	SHEET 1 OF 1