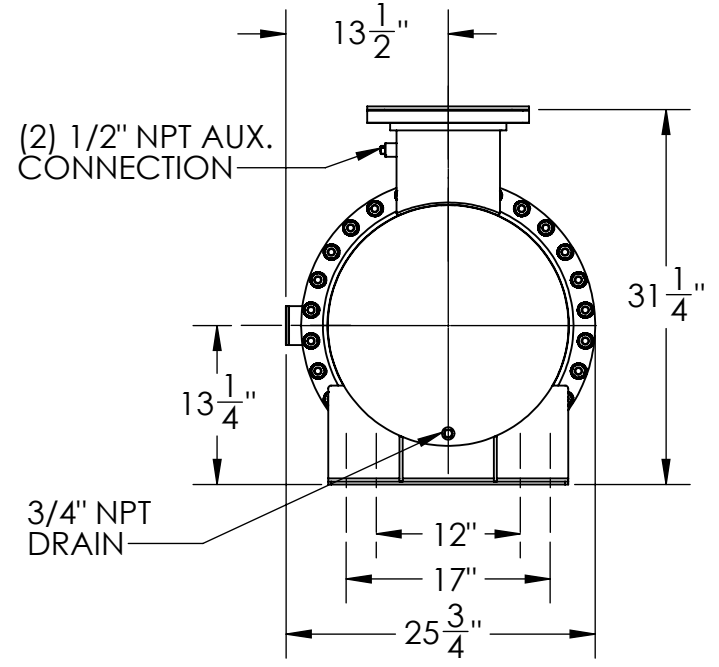
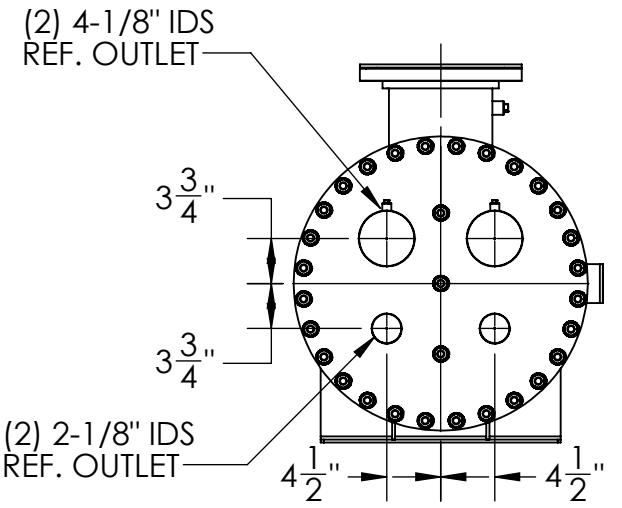
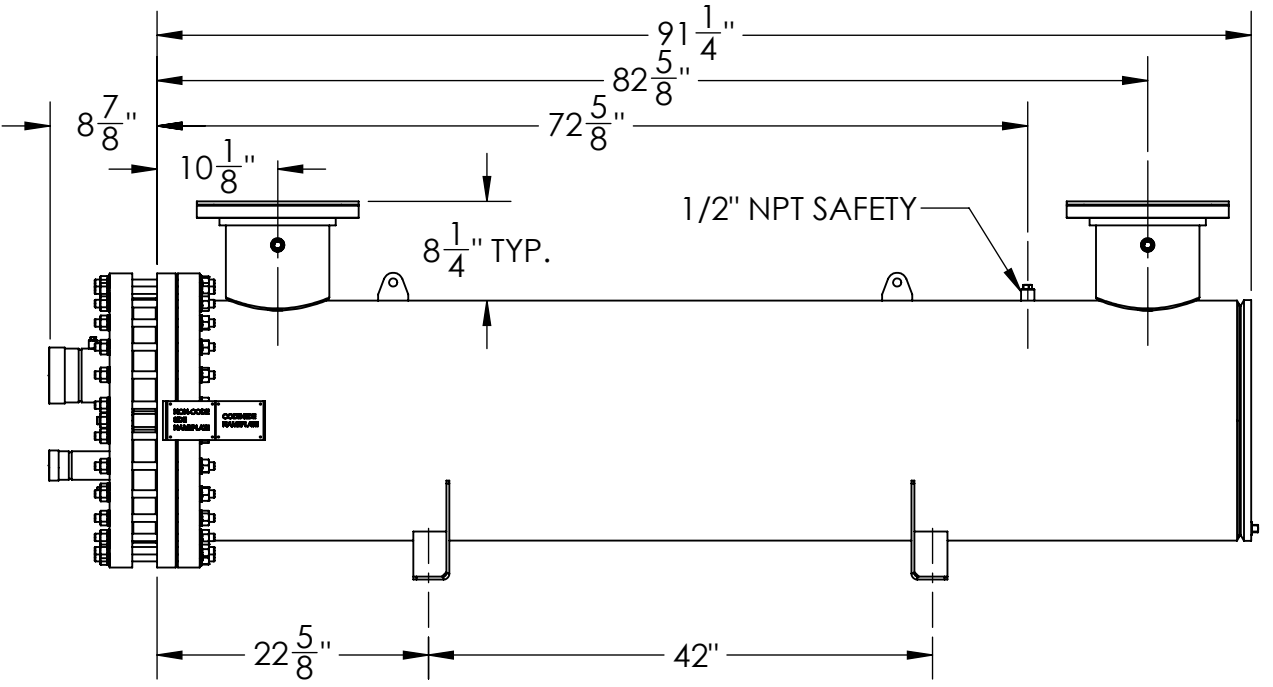
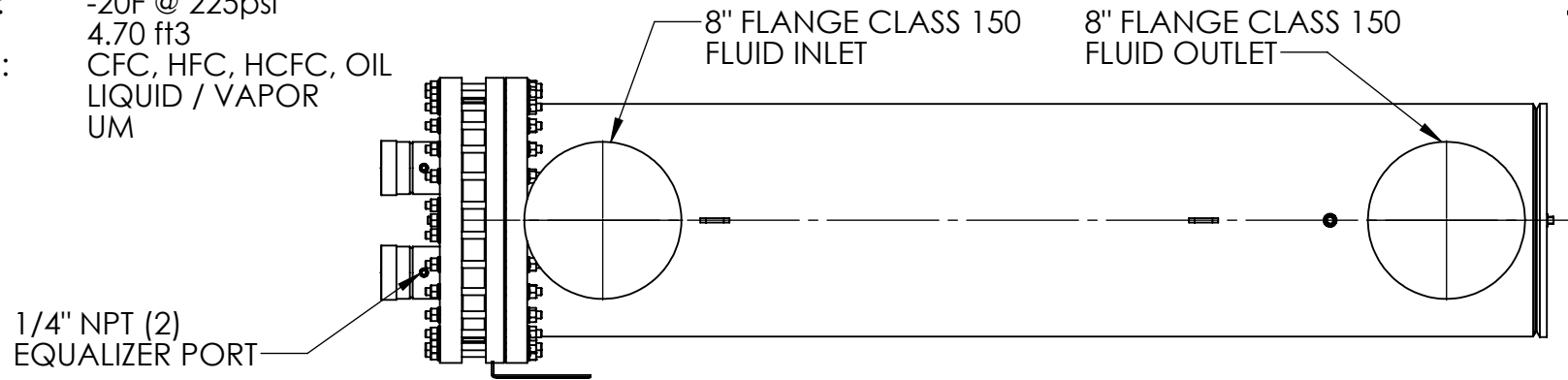
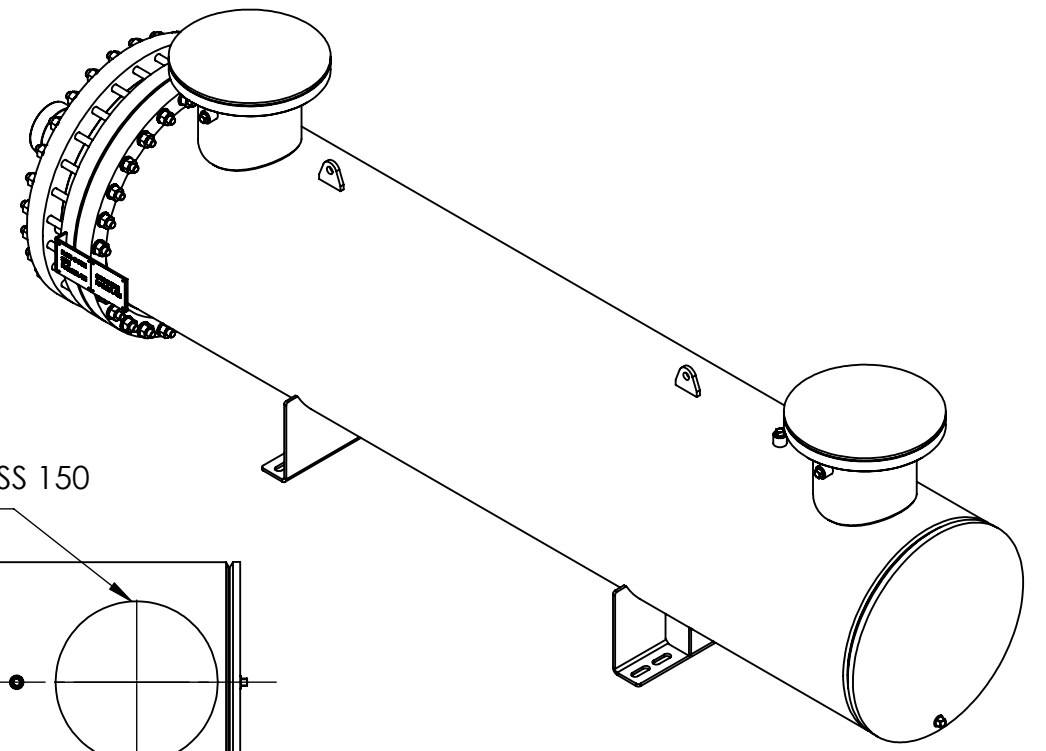


Approval: \_\_\_\_\_  
Customer Signature Required Upon Order

Customer Company Name: \_\_\_\_\_

1. Shell Side:
  - Max. Allowable Work Pressure: 150psi @ 150F
  - Min. Design Metal Temp.: -20F @ 150psi
  - Capacity: 9.71 ft<sup>3</sup>
  - Type of Fluid (Non-lethal): WATER / ANTIFREEZE
  - Physical State of Fluid: LIQUID
  - Vessel Stamp: NON CODE
2. Tube Side:
  - Max. Allowable Work Pressure: 225psi @ 150F
  - Min. Design Metal Temp.: -20F @ 225psi
  - Capacity: 4.70 ft<sup>3</sup>
  - Type of Fluid (Non-lethal): CFC, HFC, HCFC, OIL
  - Physical State of Fluid: LIQUID / VAPOR
  - Vessel Stamp: UM



- NOTE:
1. STEM300-2NTXXXX TO BE SHIPPED WITHOUT INSULATION
  2. STEM300-2NTXXTX TO BE SHIPPED WITH 3/4" INSULATION
  3. STEM300-2NTXXRX TO BE SHIPPED WITH 1-1/2" INSULATION
  4. DIMENSIONS DO NOT INCLUDE INSULATION
  5. VESSEL WILL BE PAINTED BLACK
  6. THE MATERIAL OF THE TUBE IS COPPER
  7. PRESSURE BOUNDARIES ARE CARBON STEEL

NO	REVISIONS (INDICATED BY Δ)	BY	DATE	JOB#
0	ORIGINAL	C	8/03/2016	
1				MATERIAL
2				
3				NAME DATE
4				DRAWN C 08/03/2016
5				CHECK
6				APVD

**PROPRIETARY AND CONFIDENTIAL**  
 THE INFORMATION CONTAINED IN THIS DRAWING IS THE SOLE PROPERTY OF BITZER US. ANY REPRODUCTION IN PART OR AS WHOLE WITHOUT THE WRITTEN PERMISSION OF BITZER US IS PROHIBITED.

VIEW CONVENTION  
 THIRD ANGLE

BREAK SHARP EDGES  
 THREADS TO BE CLASS 2  
 DIM & TOL PER ANSI Y14.5M

ANGULAR TOL ± 2°  
 FRAC TOL ± 1/4  
 1 INCH = 25.400000 MM

INCHES	X.	± 1
.X	± .125	METRIC X.X ± 0.5
.XX	± .063	X.XX ± 0.25
.XXX	± .005	X.XXX ± 0.13



TITLE: APPROVAL DRAWING

SIZE: VESSEL NO. STEM300-2NTXX\_X REV 00

SCALE: 1:16 SHIPPING WEIGHT: 1859.35 lbs