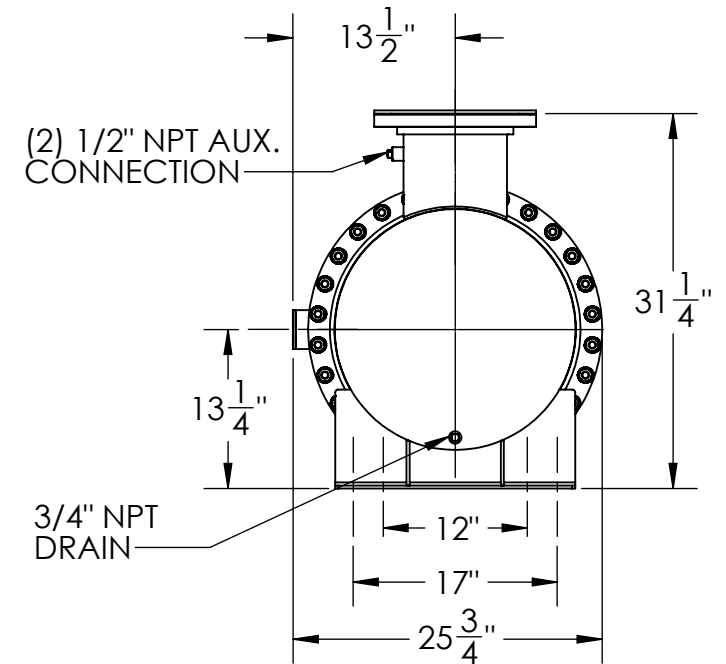
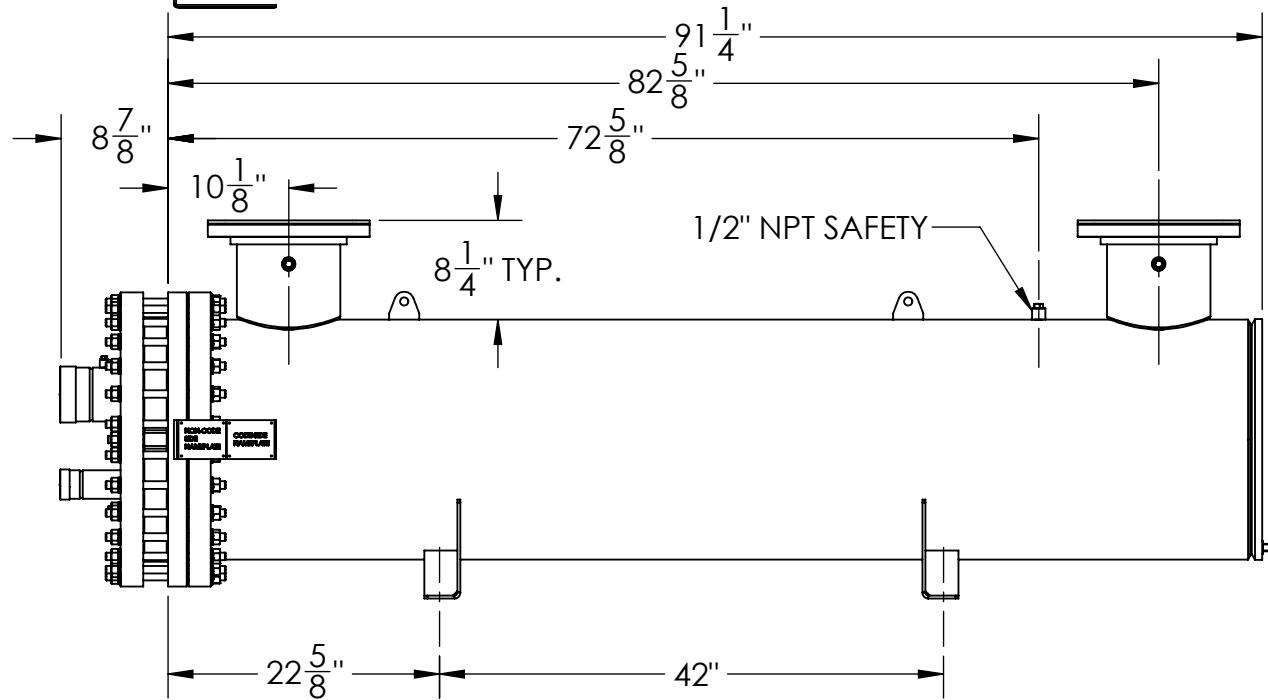
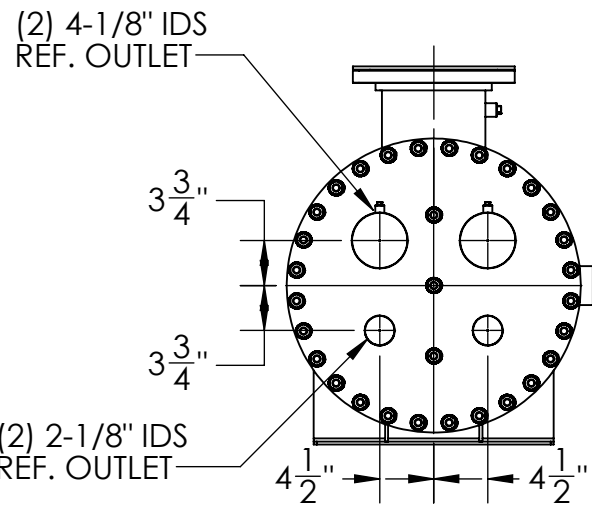
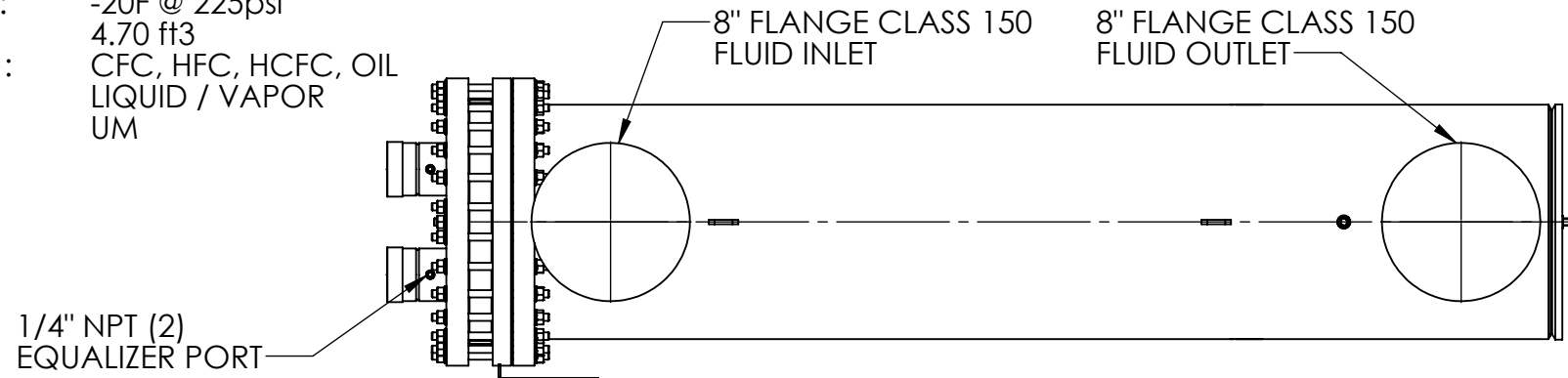
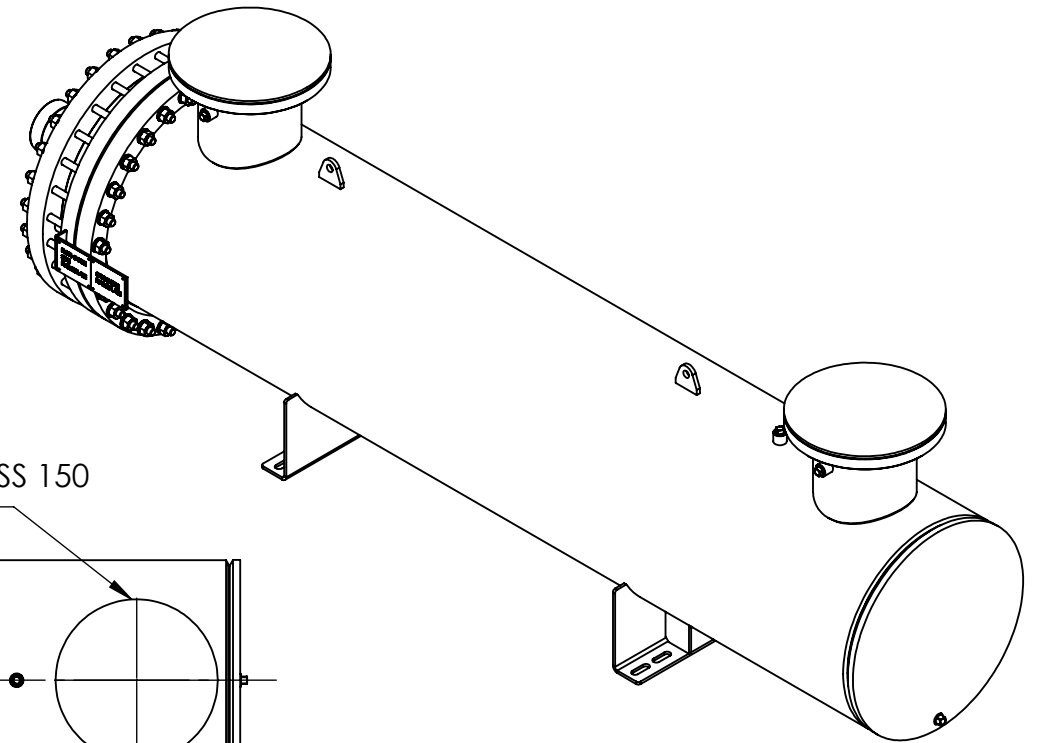


Approval: \_\_\_\_\_  
Customer Signature Required Upon Order

Customer Company Name: \_\_\_\_\_

1. Shell Side:
  - Max. Allowable Work Pressure: 150psi @ 150F
  - Min. Design Metal Temp.: -20F @ 150psi
  - Capacity: 9.71 ft3
  - Type of Fluid (Non-lethal): WATER / ANTIFREEZE
  - Physical State of Fluid: LIQUID
  - Vessel Stamp: NON CODE
2. Tube Side:
  - Max. Allowable Work Pressure: 225psi @ 150F
  - Min. Design Metal Temp.: -20F @ 225psi
  - Capacity: 4.70 ft3
  - Type of Fluid (Non-lethal): CFC, HFC, HCFC, OIL
  - Physical State of Fluid: LIQUID / VAPOR
  - Vessel Stamp: UM



- NOTE:
1. STEM300-2NTXXXA TO BE SHIPPED WITHOUT INSULATION
  2. STEM300-2NTXXTA TO BE SHIPPED WITH 3/4" INSULATION
  3. STEM300-2NTXXRA TO BE SHIPPED WITH 1-1/2" INSULATION
  4. DIMENSIONS DO NOT INCLUDE INSULATION
  5. VESSEL WILL BE PAINTED BLACK
  6. THE MATERIAL OF THE TUBE IS COPPER
  7. PRESSURE BOUNDARIES ARE CARBON STEEL

NO	REVISIONS (INDICATED BY Δ)	BY	DATE	JOB#
0	ORIGINAL	C	08/03/2016	
1				MATERIAL
2				
3				
4				
5				
6				

**PROPRIETARY AND CONFIDENTIAL**  
 THE INFORMATION CONTAINED IN THIS DRAWING IS THE SOLE PROPERTY OF BITZER US. ANY REPRODUCTION IN PART OR AS WHOLE WITHOUT THE WRITTEN PERMISSION OF BITZER US IS PROHIBITED.

VIEW CONVENTION  
 THIRD ANGLE  
  
 ANGULAR TOL ± 2°  
 FRAC TOL ± 1/4  
 1 INCH = 25.400000 MM

BREAK SHARP EDGES  
 THREADS TO BE CLASS 2  
 DIM & TOL PER ANSI Y14.5M

INCHES	X.	± 1
.X	± .125	METRIC X.X
.XX	± .063	± 0.5
.XXX	± .005	X.XX ± 0.25
		X.XXX ± 0.13



TITLE: APPROVAL DRAWING

SIZE	VESSEL NO.	REV
<b>B</b>	STEM300-2NTXX_A	00
SCALE: 1:16	SHIPPING WEIGHT: 1859.35 lbs	

NAME	DATE
DRAWN C	08/03/2016
CHECK	
APVD	