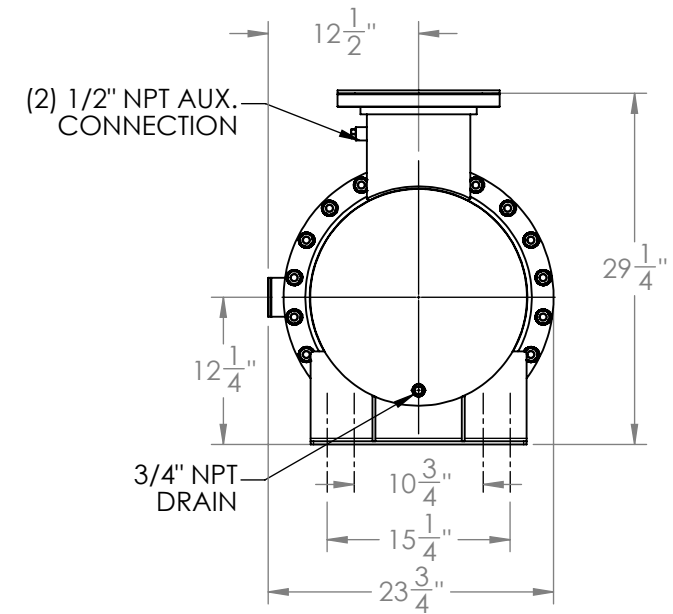
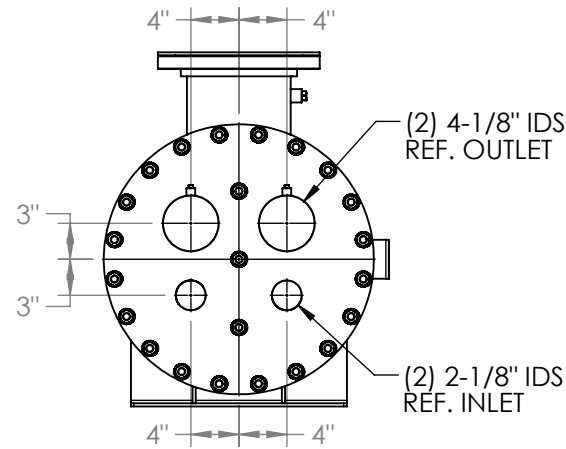
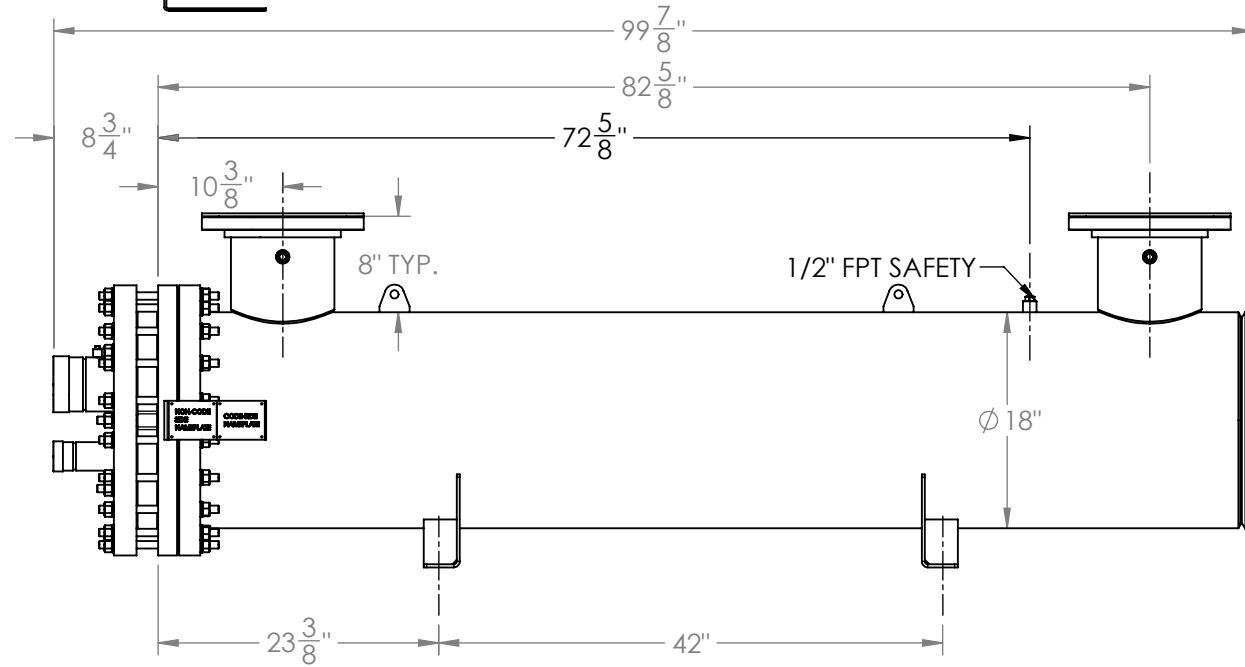
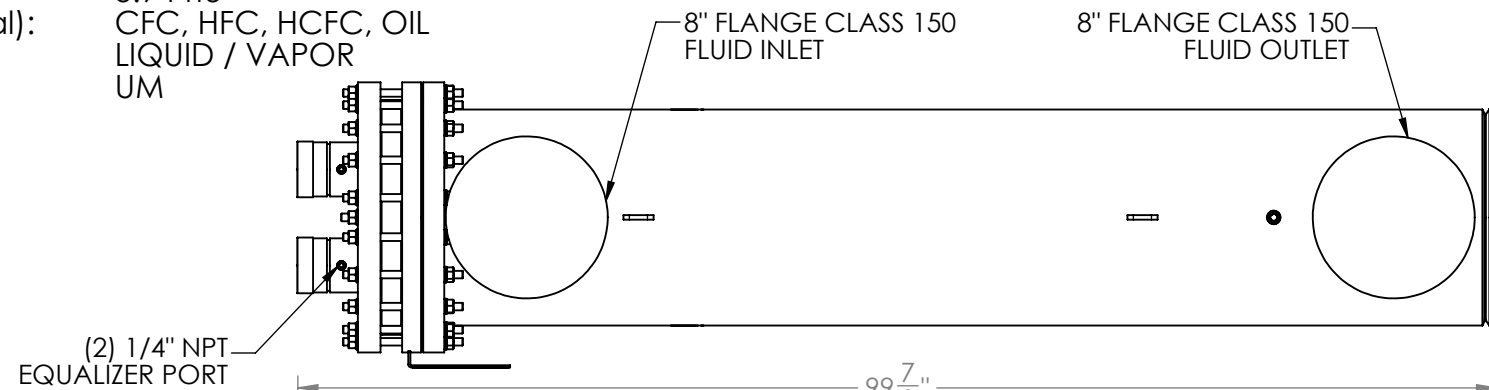
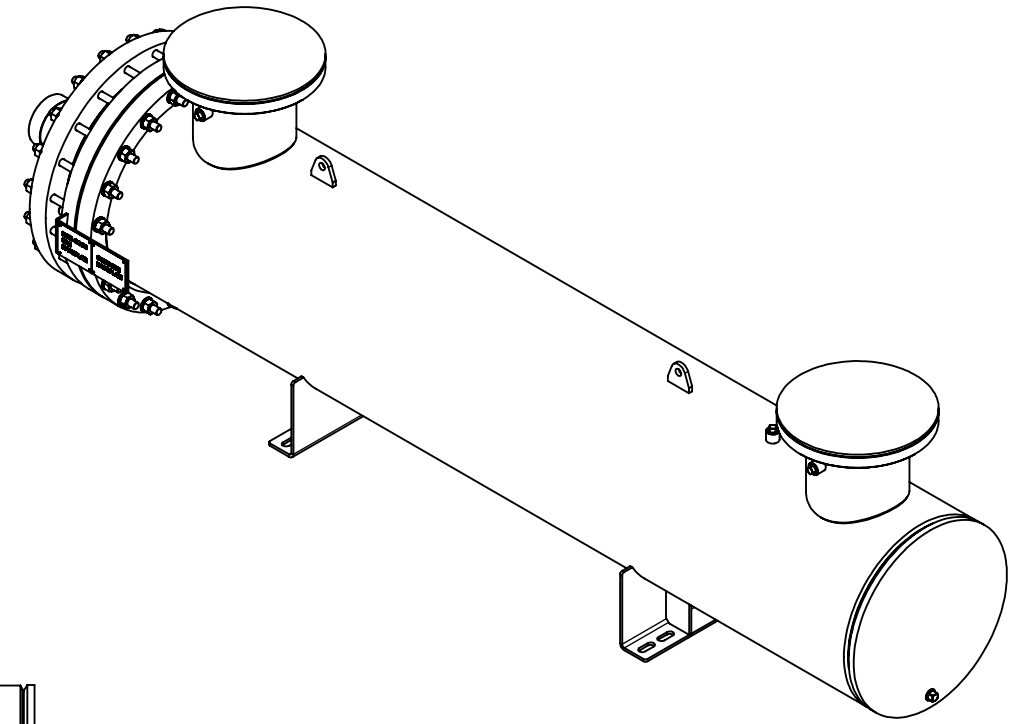


Approval: \_\_\_\_\_  
Customer Signature Required Upon Order

Customer Company Name: \_\_\_\_\_

1. Shell Side:
  - Max. Allowable Work Pressure: 150psi @ 150F
  - Min. Design Metal Temp.: -20F @ 150psi
  - Capacity: 7.56 ft3
  - Type of Fluid (Non-lethal): WATER
  - Physical State of Fluid: LIQUID
  - Vessel Stamp: NON CODE
2. Tube Side:
  - Max. Allowable Work Pressure: 225psi @ 150F
  - Min. Design Metal Temp.: -20F @ 225psi
  - Capacity: 3.94 ft3
  - Type of Fluid (Non-lethal): CFC, HFC, HCFC, OIL
  - Physical State of Fluid: LIQUID / VAPOR
  - Vessel Stamp: UM



**NOTE:**

1. STEM275-2NTXXXX TO BE SHIPPED WITHOUT INSULATION
2. STEM275-2NTXXTX TO BE SHIPPED WITH 3/4" INSULATION
3. STEM275-2NTXXRX TO BE SHIPPED WITH 1-1/2" INSULATION
4. DIMENSIONS DO NOT INCLUDE INSULATION
5. VESSEL WILL BE PAINTED BLACK
6. THE MATERIAL OF THE TUBE IS COPPER
7. PRESSURE BOUNDARIES ARE CARBON STEEL

**PROPRIETARY AND CONFIDENTIAL**  
 THE INFORMATION CONTAINED IN THIS DRAWING IS THE SOLE PROPERTY OF BITZER US. ANY REPRODUCTION IN PART OR AS WHOLE WITHOUT THE WRITTEN PERMISSION OF BITZER US IS PROHIBITED.

**VIEW CONVENTION**  
 THIRD ANGLE  
 ANGULAR TOL ± 2°  
 FRAC TOL ± 1/4  
 1 INCH = 25.400000 MM

**BREAK SHARP EDGES**  
 THREADS TO BE CLASS 2  
 DIM & TOL PER ANSI Y14.5M

| INCHES |        | METRIC (MM) |        |
|--------|--------|-------------|--------|
| .X     | ± .125 | X           | ± 1    |
| .XX    | ± .063 | XX          | ± 0.5  |
| .XXX   | ± .005 | XXX         | ± 0.25 |
|        |        | XXXX        | ± 0.13 |

| NO | REVISIONS (INDICATED BY Δ) | BY  | DATE       | JOB#     |
|----|----------------------------|-----|------------|----------|
| 0  | ORIGINAL                   | JEL | 10/24/2014 |          |
| 1  |                            |     |            | MATERIAL |
| 2  |                            |     |            |          |
| 3  |                            |     |            |          |
| 4  |                            |     |            |          |
| 5  |                            |     |            |          |
| 6  |                            |     |            |          |

**TITLE:**  
 APPROVAL DRAWING

|             |                           |     |
|-------------|---------------------------|-----|
| SIZE        | VESSEL NO.                | REV |
| <b>B</b>    | STEM275-2NTXX_X           | 00  |
| SCALE: 1:16 | SHIPPING WEIGHT: 1690 lbs |     |