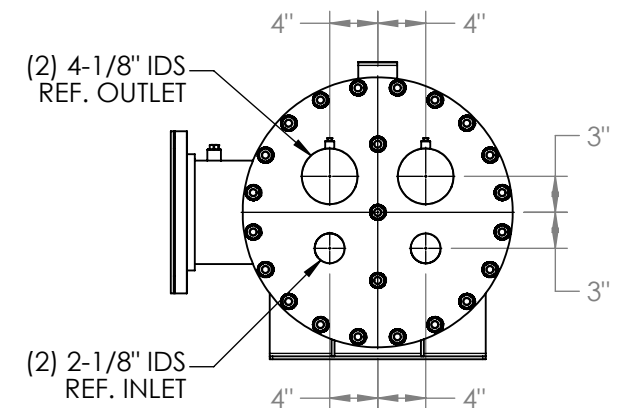
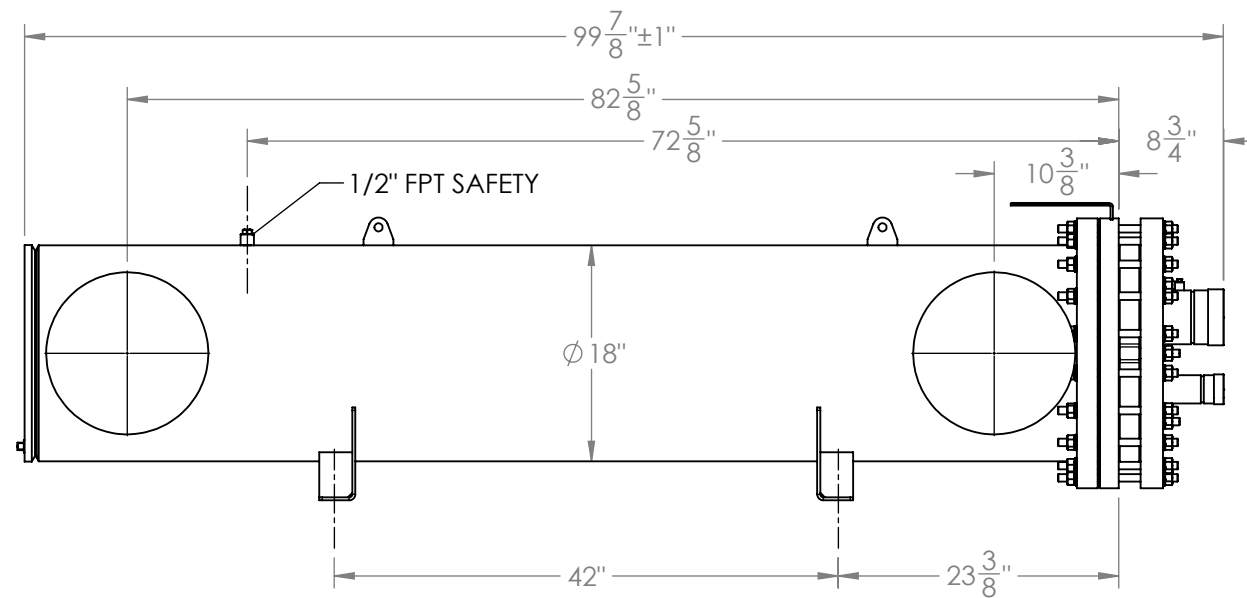
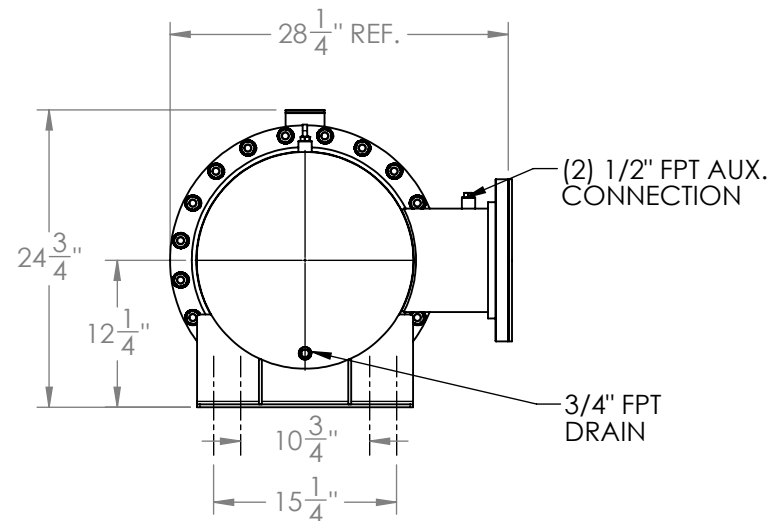
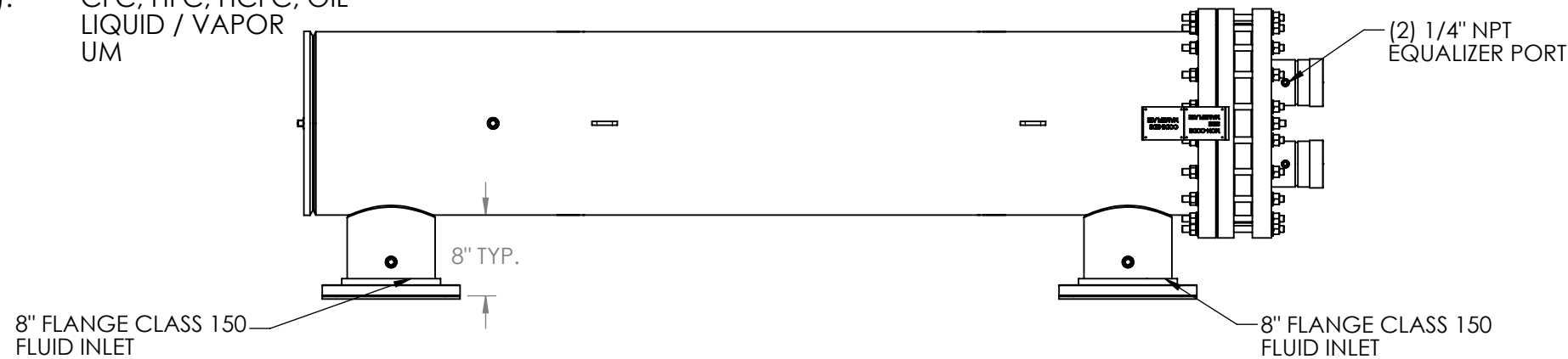
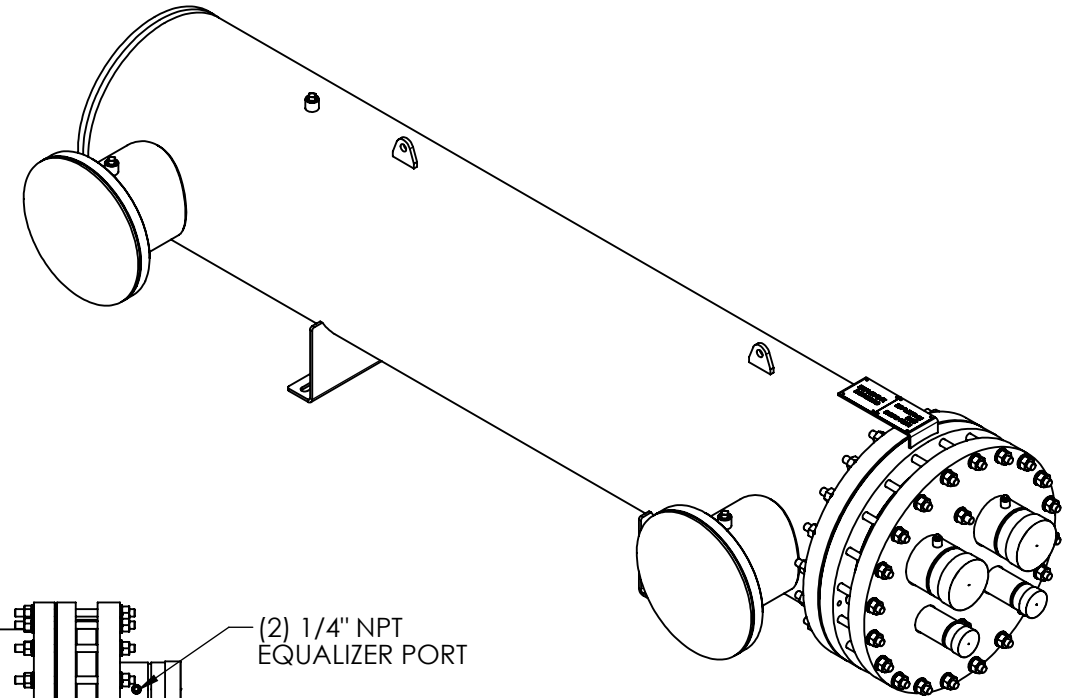


Approval: _____
Customer Signature Required Upon Order

Customer Company Name: _____

1. Shell Side:
 - Max. Allowable Work Pressure: 150psi @ 150F
 - Min. Design Metal Temp.: -20F @ 150psi
 - Capacity: 7.56 ft³
 - Type of Fluid (Non-lethal): WATER
 - Physical State of Fluid: LIQUID
 - Vessel Stamp: NON CODE
2. Tube Side:
 - Max. Allowable Work Pressure: 225psi @ 150F
 - Min. Design Metal Temp.: -20F @ 225psi
 - Capacity: 3.94 ft³
 - Type of Fluid (Non-lethal): CFC, HFC, HCFC, OIL
 - Physical State of Fluid: LIQUID / VAPOR
 - Vessel Stamp: UM



NOTE:

1. STEM275-2NLXXX TO BE SHIPPED WITHOUT INSULATION
2. STEM275-2NLXTX TO BE SHIPPED WITH 3/4" INSULATION
3. STEM275-2NLXXRX TO BE SHIPPED WITH 1-1/2" INSULATION
4. DIMENSIONS DO NOT INCLUDE INSULATION
5. VESSEL WILL BE PAINTED BLACK
6. THE MATERIAL OF THE TUBE IS COPPER
7. PRESSURE BOUNDARIES ARE CARBON STEEL

PROPRIETARY AND CONFIDENTIAL
 THE INFORMATION CONTAINED IN THIS DRAWING IS THE SOLE PROPERTY OF BITZER US. ANY REPRODUCTION IN PART OR AS WHOLE WITHOUT THE WRITTEN PERMISSION OF BITZER US IS PROHIBITED.

VIEW CONVENTION
 THIRD ANGLE
 ANGULAR TOL ± 2°
 FRAC TOL ± 1/4
 1 INCH = 25.400000 MM

BREAK SHARP EDGES
 THREADS TO BE CLASS 2
 DIM & TOL PER ANSI Y14.5M

INCHES		METRIC (MM)	
.X	± .125	X	± 1
.XX	± .063	XX	± 0.5
.XXX	± .005	XXX	± 0.25
		XXX	± 0.13

NO	REVISIONS (INDICATED BY Δ)	BY	DATE	JOB#
0	ORIGINAL	ED	05/31/2019	
1				MATERIAL
2				
3				
4				
5				
6				

TITLE:
 APPROVAL DRAWING

SIZE	VESSEL NO.	REV
B	STEM275-2NLXX_X	00
SCALE: 1:16	SHIPPING WEIGHT: 1690 lbs	