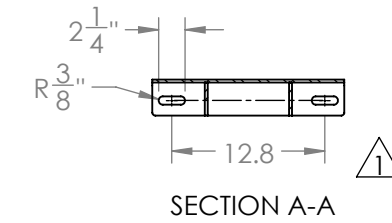
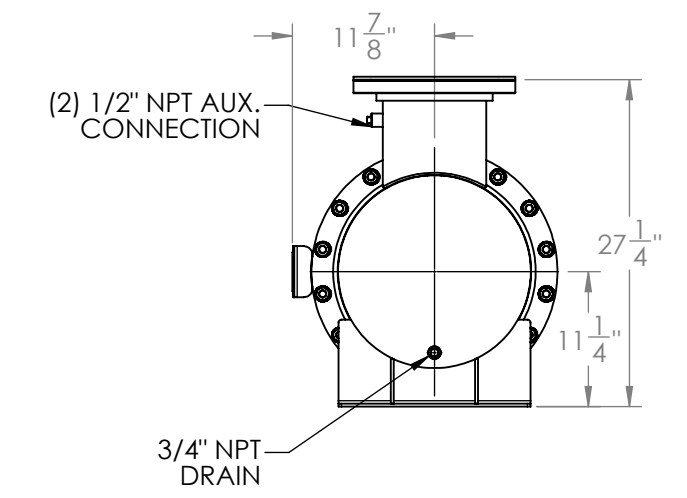
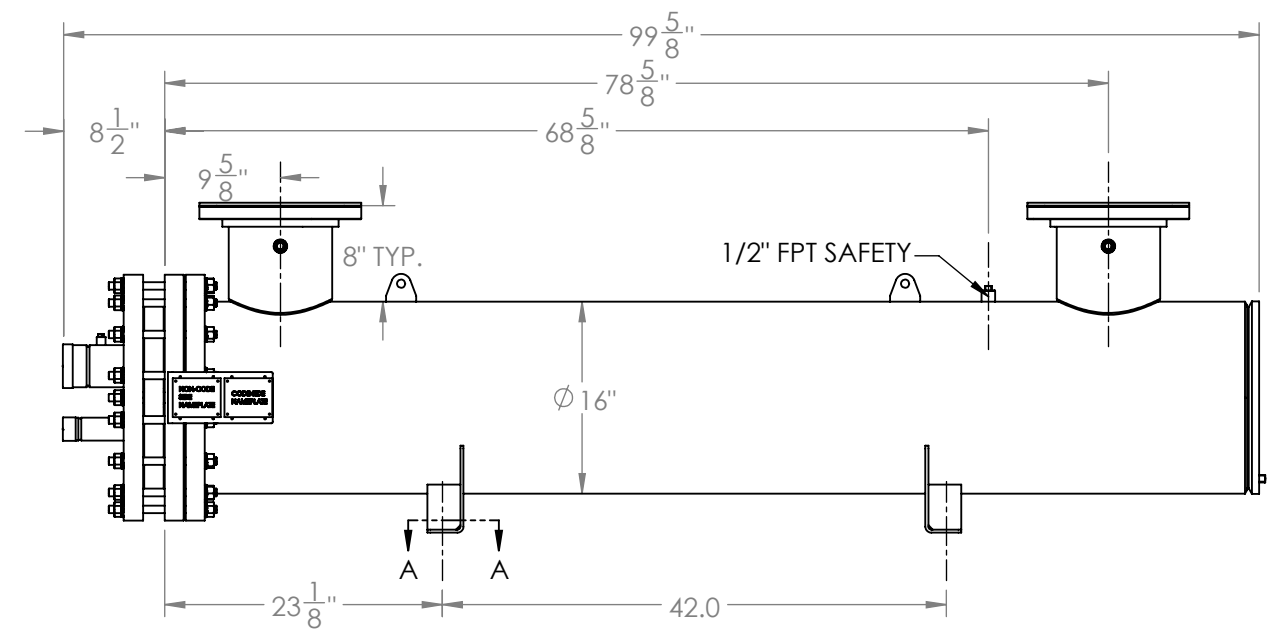
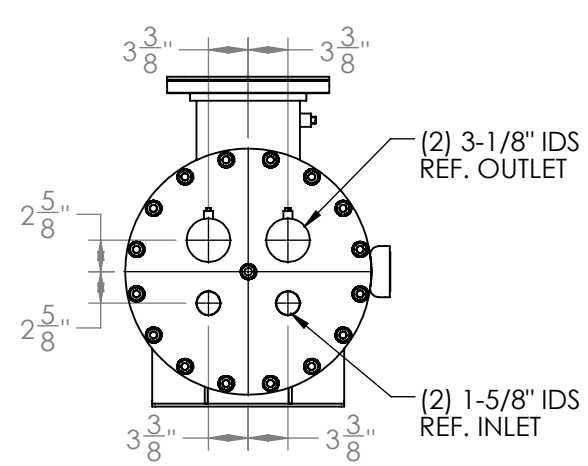
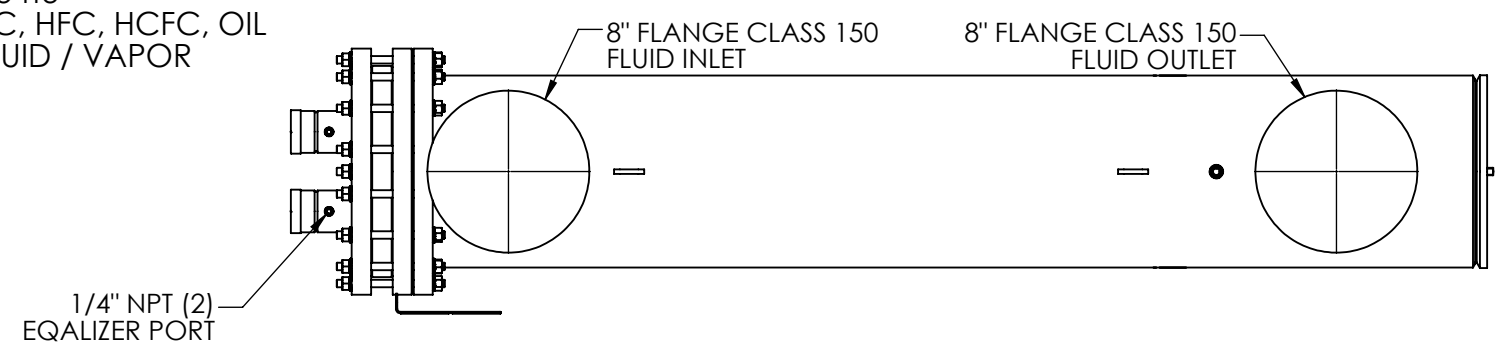
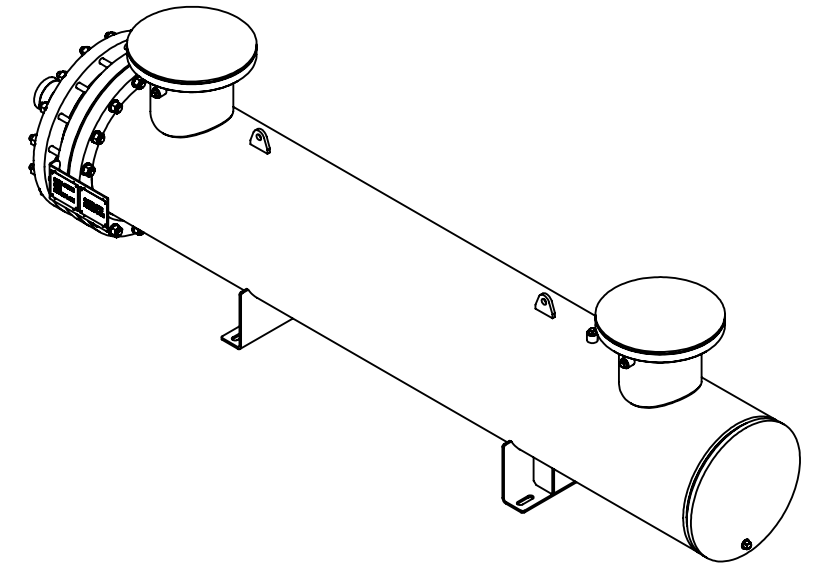


Approval: _____
Customer Signature Required Upon Order

Customer Company Name: _____

1. Shell Side:
 - Max. Allowable Work Pressure: 150psi @ 150F
 - Min. Design Metal Temp.: -20F @ 150psi
 - Capacity: 5.96 ft³
 - Type of Fluid (Non-lethal): WATER / ANTIFREEZE
 - Physical State of Fluid: LIQUID
 - Vessel Stamp: NON CODE
2. Tube Side:
 - Max. Allowable Work Pressure: 225psi @ 150F
 - Min. Design Metal Temp.: -20F @ 225psi
 - Capacity: 3.03 ft³
 - Type of Fluid (Non-lethal): CFC, HFC, HCFC, OIL
 - Physical State of Fluid: LIQUID / VAPOR
 - Vessel Stamp: UM



- NOTE:
1. STEM200-2NTXXXXA TO BE SHIPPED WITHOUT INSULATION
 2. STEM200-2NTXXTA TO BE SHIPPED WITH 3/4" INSULATION
 3. STEM200-2NTXXRA TO BE SHIPPED WITH 1-1/2" INSULATION
 4. DIMENSIONS DO NOT INCLUDE INSULATION
 5. VESSEL WILL BE PAINTED BLACK
 6. THE MATERIAL OF THE TUBE IS COPPER
 7. PRESSURE BOUNDARIES ARE CARBON STEEL

NO	REVISIONS (INDICATED BY Δ)	BY	DATE	JOB#	MATERIAL	NAME	DATE
0	ORIGINAL	JEL	10/20/2014				
1	Update feet and nameplate	AC	11/8/2018				
2							
3							
4							
5							
6							

		TITLE: APPROVAL DRAWING	
SIZE	VESSEL NO.	REV	
B	STEM200-2NTXX_A	01	
SCALE: 1:16		SHIPPING WEIGHT: 1379.12lbs	

PROPRIETARY AND CONFIDENTIAL
THE INFORMATION CONTAINED IN THIS DRAWING IS THE SOLE PROPERTY OF BITZER US. ANY REPRODUCTION IN PART OR AS WHOLE WITHOUT THE WRITTEN PERMISSION OF BITZER US IS PROHIBITED.

VIEW CONVENTION
THIRD ANGLE

BREAK SHARP EDGES
THREADS TO BE CLASS 2
DIM & TOL PER ANSI Y14.5M

INCHES
.X ± .125
.XX ± .063
.XXX ± .005

METRIC (MM)
X. ± 1
X.X ± 0.5
X.XX ± 0.25
X.XXX ± 0.13

ANGULAR TOL ± 2°
FRAC TOL ± 1/4
1 INCH = 25.400000 MM