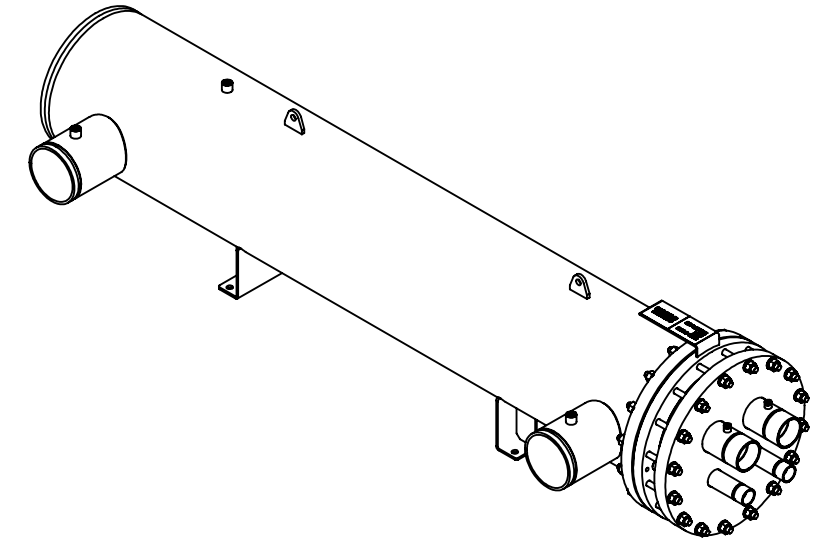


Approval: \_\_\_\_\_  
Customer Signature Required Upon Order

Customer Company Name: \_\_\_\_\_

1. Shell Side:
  - Max. Allowable Work Pressure: 150psi @ 150F
  - Min. Design Metal Temp.: -20F @ 150psi
  - Capacity: 6.33 ft<sup>3</sup>
  - Type of Fluid (Non-lethal): WATER / ANTIFREEZE
  - Physical State of Fluid: LIQUID
  - Vessel Stamp: NON CODE
2. Tube Side:
  - Max. Allowable Work Pressure: 225psi @ 150F
  - Min. Design Metal Temp.: -20F @ 225psi
  - Capacity: 2.70 ft<sup>3</sup>
  - Type of Fluid (Non-lethal): CFC, HFC, HCFC, OIL
  - Physical State of Fluid: LIQUID / VAPOR
  - Vessel Stamp: UM



D

D

C

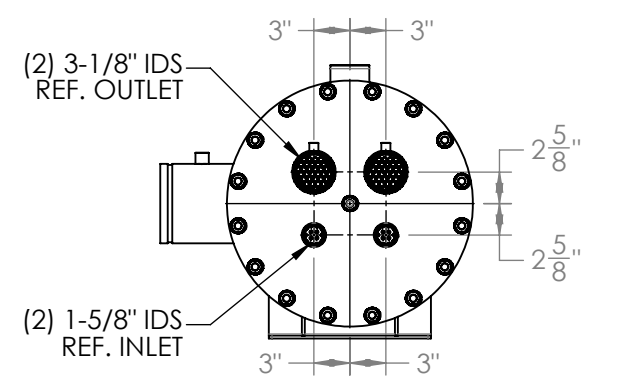
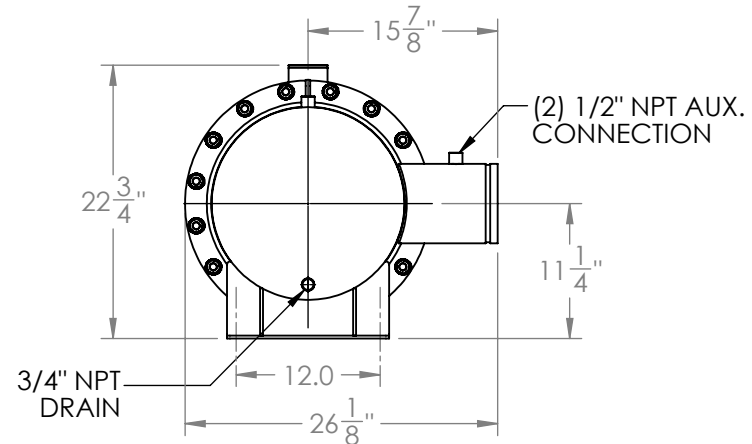
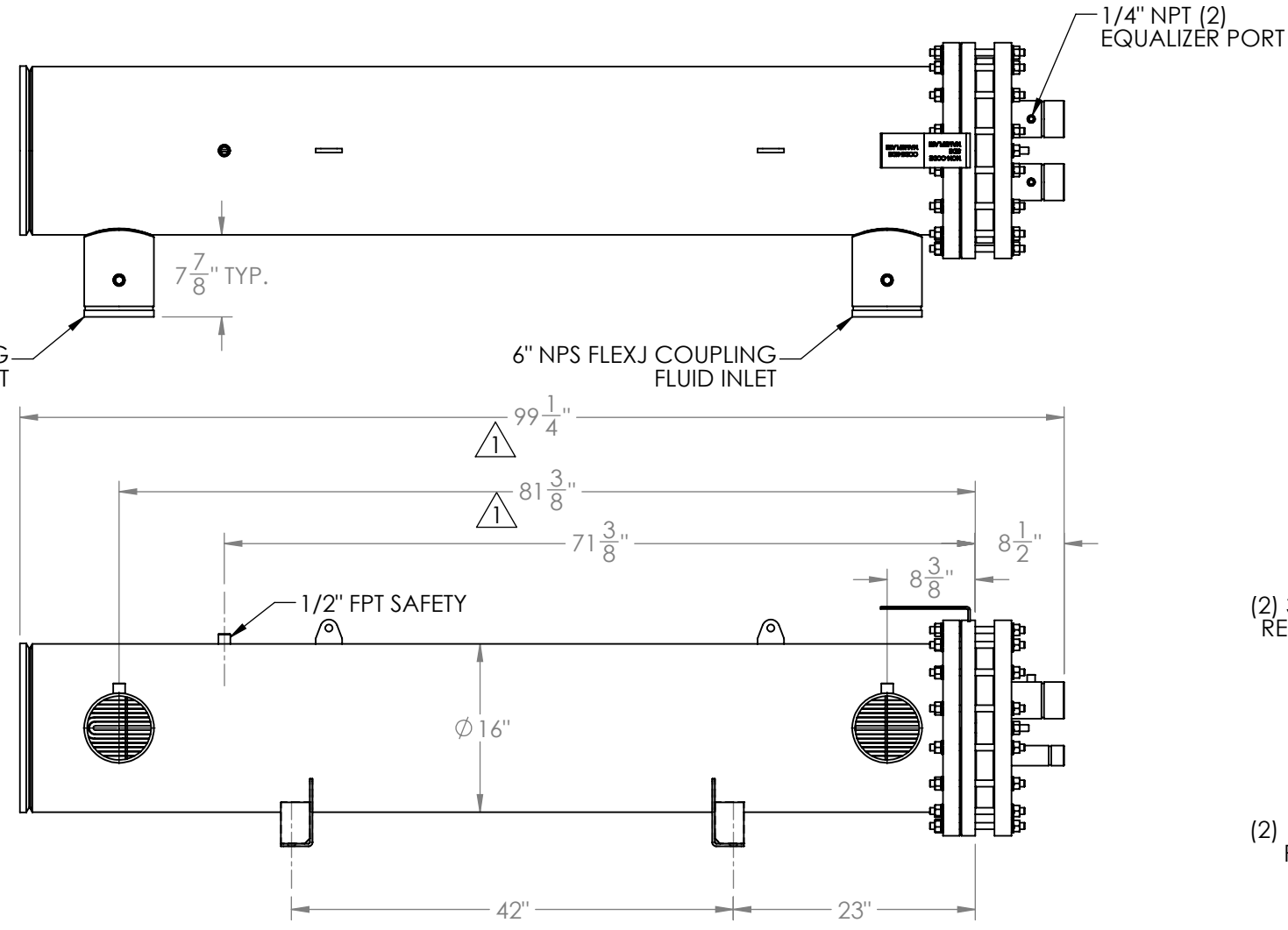
C

B

B

A

A



NOTE:  
 1. VESSEL TO BE SHIPPED WITH 3/4" INSULATION  
 2. DIMENSIONS DO NOT INCLUDE INSULATION  
 3. VESSEL WILL BE PAINTED BLACK  
 4. THE MATERIAL OF THE TUBE IS COPPER  
 5. PRESSURE BOUNDARIES ARE CARBON STEEL

<b>PROPRIETARY AND CONFIDENTIAL</b> THE INFORMATION CONTAINED IN THIS DRAWING IS THE SOLE PROPERTY OF BITZER US. ANY REPRODUCTION IN PART OR AS WHOLE WITHOUT THE WRITTEN PERMISSION OF BITZER US IS PROHIBITED.		<b>VIEW CONVENTION</b> THIRD ANGLE ANGULAR TOL ± 2° FRAC TOL ± 1/4 1 INCH = 25.400000 MM		<b>BREAK SHARP EDGES</b> THREADS TO BE CLASS 2 DIM & TOL PER ANSI Y14.5M	
INCHES .X ± .125 .XX ± .063 .XXX ± .005		METRIC X. ± 1 X.X ± 0.5 X.XX ± 0.25 X.XXX ± 0.13			

NO	REVISIONS (INDICATED BY Δ)	BY	DATE	JOB#
0	ORIGINAL	JEL	10/20/2014	
1	Revise total length and nozzle location	AC	5/19/2015	MATERIAL
2				
3				
4				
5				
6				

**TITLE: APPROVAL DRAWING**

SIZE <b>B</b>	VESSEL NO. <b>STEM175-2NLJXTA</b>	REV <b>01</b>
SCALE: 1:16		SHIPPING WEIGHT: 1290 lbs