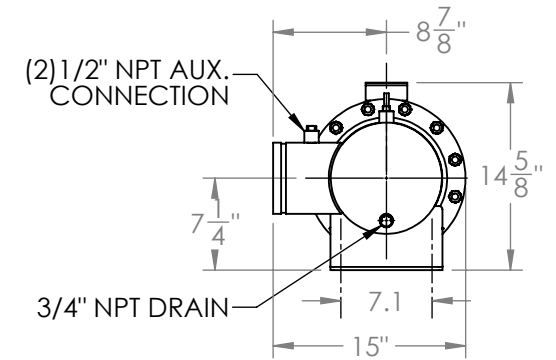
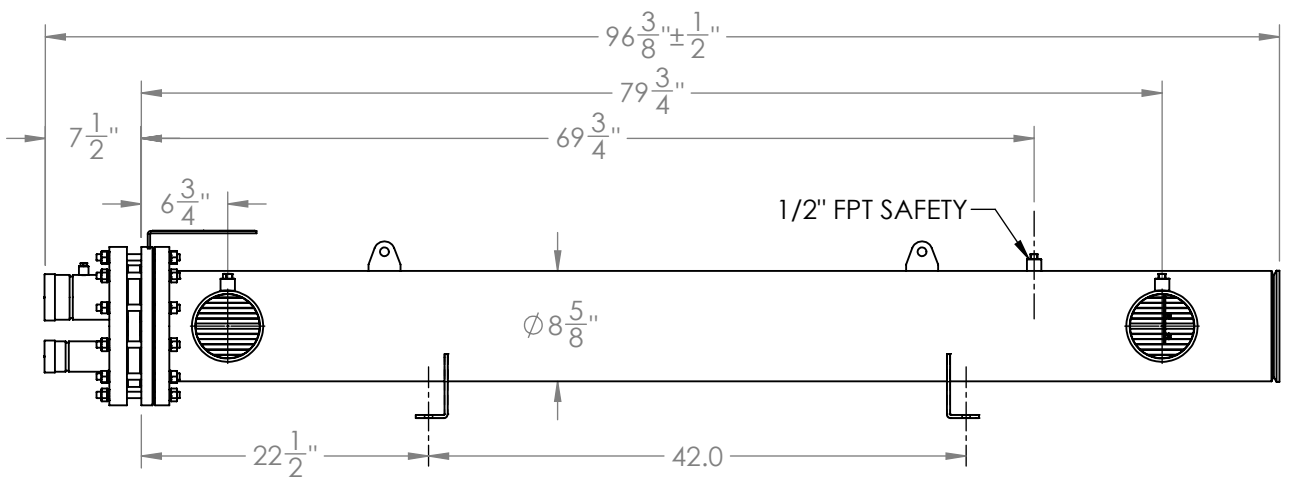
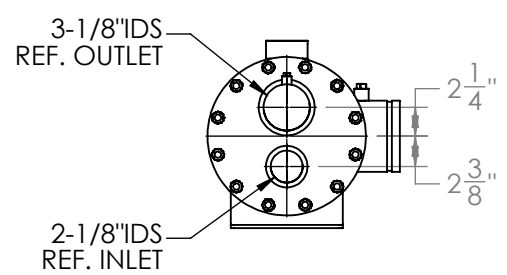
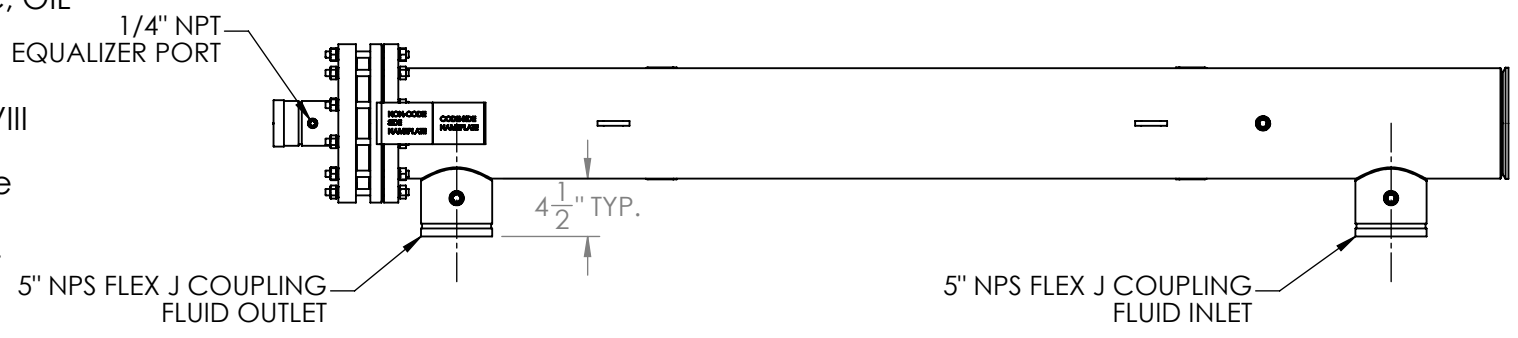
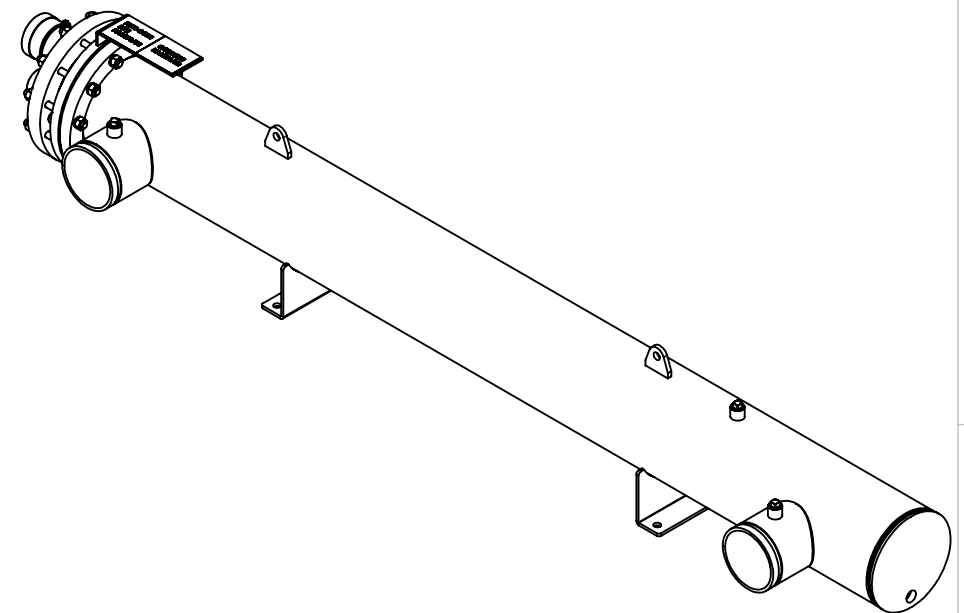


Approval: _____
Customer Signature Required Upon Order

Customer Company Name: _____

1. Shell Side:
 - Max. Allowable Work Pressure: 150psi @ 150F
 - Min. Design Metal Temp.: -20F @ 150psi
 - Capacity: 1.59 ft3
 - Type of Fluid (Non-lethal): WATER / ANTIFREEZE
 - Physical State of Fluid: LIQUID / VAPOR
 - Vessel Stamp: NON-CODE
2. Tube Side:
 - Max. Allowable Work Pressure: 300psi @ 150F
 - Min. Design Metal Temp.: -20F @ 300psi
 - Capacity: .96 ft3
 - Type of Fluid (Non-lethal): CFC, HFC, HCFC, OIL
 - Physical State of Fluid: VAPOR
 - Vessel Stamp: UM

3. Manufacture vessel in accordance with ASME Sec VIII Div. 1 (Latest Version)
4. Pressure boundary parts are carbon steel / Tubes are copper.
5. All connections will be shipped with caps and plugs.
6. Vessel will be painted black.
7. Vessel will be shipped with 3/4" insulation
8. Dimensions do not include insulation.



| NO | REVISIONS (INDICATED BY Δ) | BY | DATE | JOB# |
|----|---|-----|------------|----------|
| 0 | ORIGINAL | JEL | 10/22/2013 | |
| 1 | Updated drawing sheet format and overall length | DE | 03/20/2018 | MATERIAL |
| 2 | | | | |
| 3 | | | | |
| 4 | | | | |
| 5 | | | | |
| 6 | | | | |

| | | | |
|-------------|-----------------------------|------------------|--|
| | | TITLE: | |
| | | APPROVAL DRAWING | |
| SIZE | VESSEL NO. | REV | |
| B | STEM075-1NRJXTB | 01 | |
| SCALE: 1:15 | SHIPPING WEIGHT: 415.99 lbs | | |

| | | | |
|---|--|---|---|
| PROPRIETARY AND CONFIDENTIAL THE INFORMATION CONTAINED IN THIS DRAWING IS THE SOLE PROPERTY OF BITZER US. ANY REPRODUCTION IN PART OR AS WHOLE WITHOUT THE WRITTEN PERMISSION OF BITZER US IS PROHIBITED. | | VIEW CONVENTION THIRD ANGLE | BREAK SHARP EDGES THREADS TO BE CLASS 2 DIM & TOL PER ANSI Y14.5M |
| ANGULAR TOL ± 2° FRAC TOL ± 1/4 1 INCH = 25.400000 MM | INCHES .X ± .125 .XX ± .063 .XXX ± .005 | METRIC (MM) X. ± 1 X.X ± 0.5 X.XX ± 0.25 X.XXX ± 0.13 | |