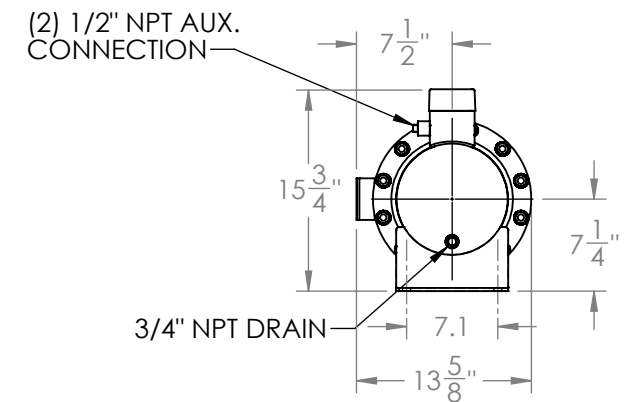
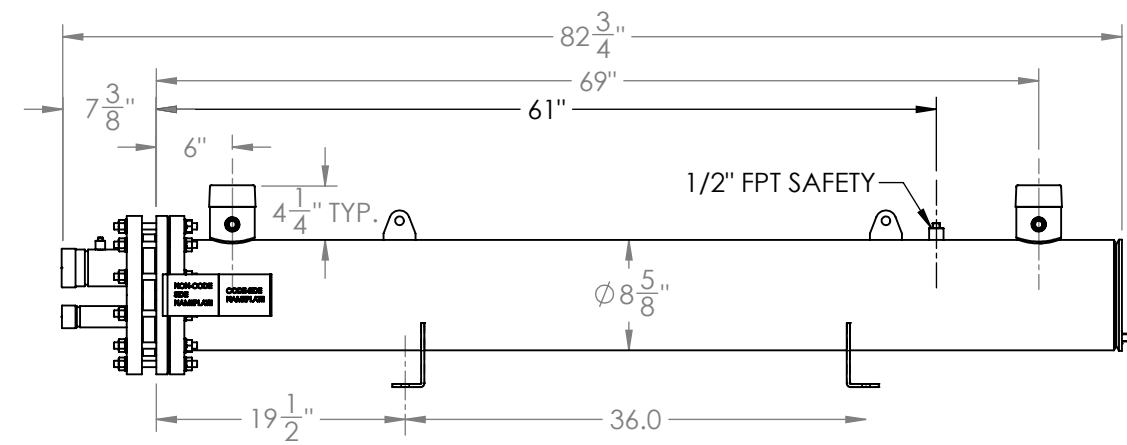
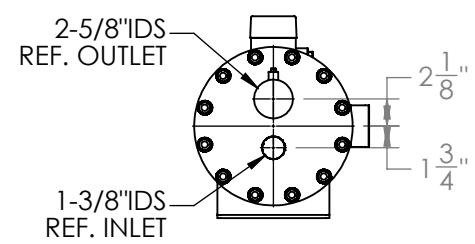
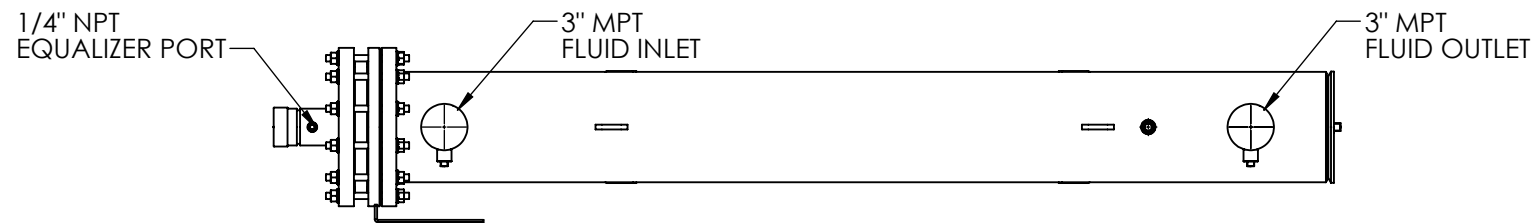
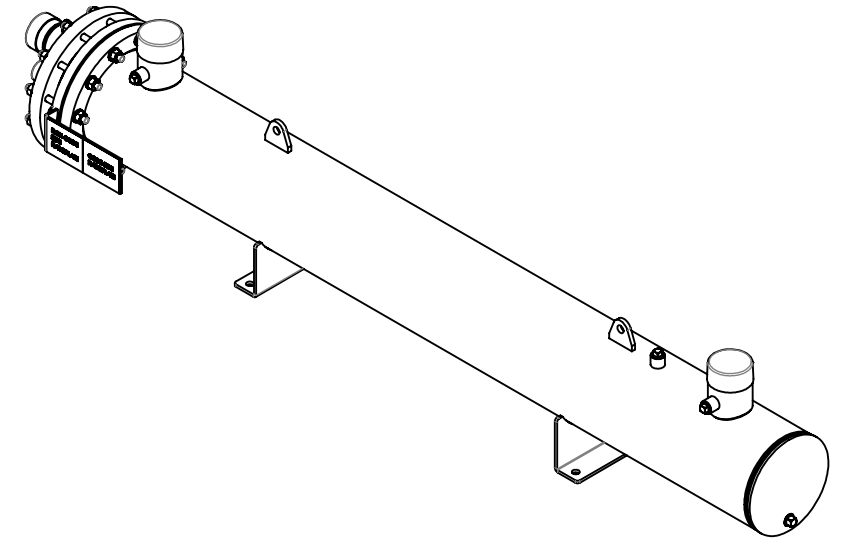


Approval: _____
Customer Signature Required Upon Order

Customer Company Name: _____

1. Shell Side:
 - Max. Allowable Work Pressure: 150psi @ 150F
 - Min. Design Metal Temp.: -20F @ 150psi
 - Capacity: 1.65 ft3
 - Type of Fluid (Non-lethal): WATER / ANTIFREEZE
 - Physical State of Fluid: LIQUID
 - Vessel Stamp: NON CODE
2. Tube Side:
 - Max. Allowable Work Pressure: 300psi @ 150F
 - Min. Design Metal Temp.: -20F @ 300psi
 - Capacity: 0.56 ft3
 - Type of Fluid (Non-lethal): CFC, HFC, HCFC, OIL
 - Physical State of Fluid: LIQUID / VAPOR
 - Vessel Stamp: UM



NOTE:
 1. VESSEL TO BE SHIPPED WITH 3/4" INSULATION
 2. DIMENSIONS DO NOT INCLUDE INSULATION
 3. VESSEL WILL BE PAINTED BLACK
 4. THE MATERIAL OF THE TUBE IS COPPER
 5. PRESSURE BOUNDARIES ARE CARBON STEEL

PROPRIETARY AND CONFIDENTIAL THE INFORMATION CONTAINED IN THIS DRAWING IS THE SOLE PROPERTY OF BITZER US. ANY REPRODUCTION IN PART OR AS WHOLE WITHOUT THE WRITTEN PERMISSION OF BITZER US IS PROHIBITED.		VIEW CONVENTION THIRD ANGLE 		BREAK SHARP EDGES THREADS TO BE CLASS 2 DIM & TOL PER ANSI Y14.5M	
ANGULAR TOL ± 2° FRAC TOL ± 1/4 1 INCH = 25.400000 MM		INCHES .X ± .125 .XX ± .063 .XXX ± .005		METRIC (MM) X. ± 1 X.X ± 0.5 X.XX ± 0.25 X.XXX ± 0.13	

NO	REVISIONS (INDICATED BY Δ)	BY	DATE	JOB#
0	ORIGINAL	JEL	10/22/2013	
1				MATERIAL
2				
3				
4				
5				DRAWN JEL 10/22/2013
6				CHECK
				APVD

TITLE: APPROVAL DRAWING	
SIZE B	VESSEL NO. STEM040-1NTXXTX
SCALE: 1:15	SHIPPING WEIGHT: 468 lbs
REV 00	