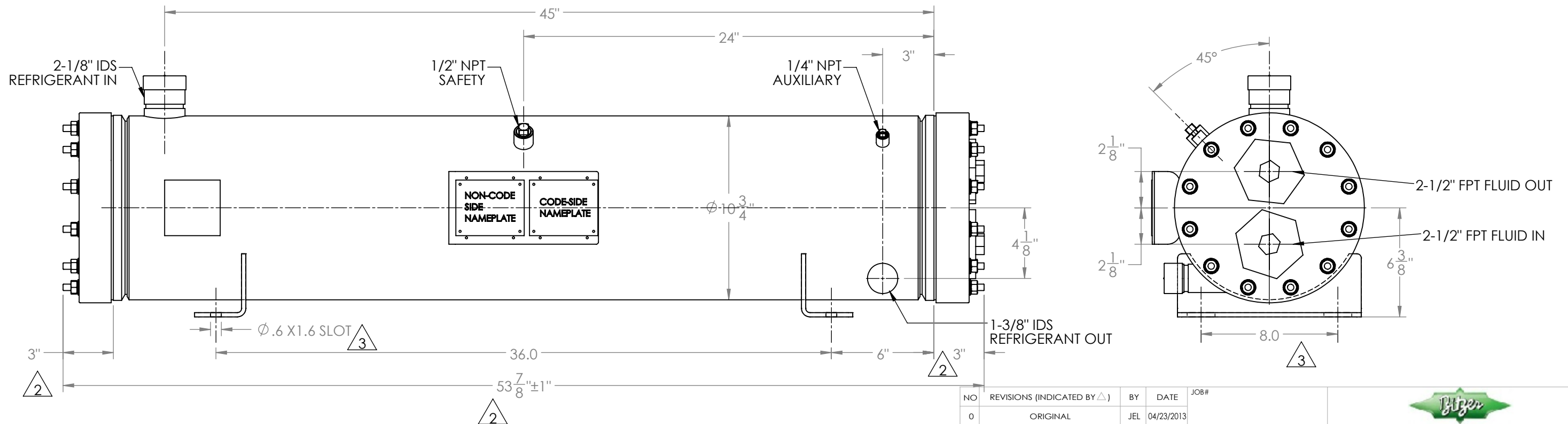
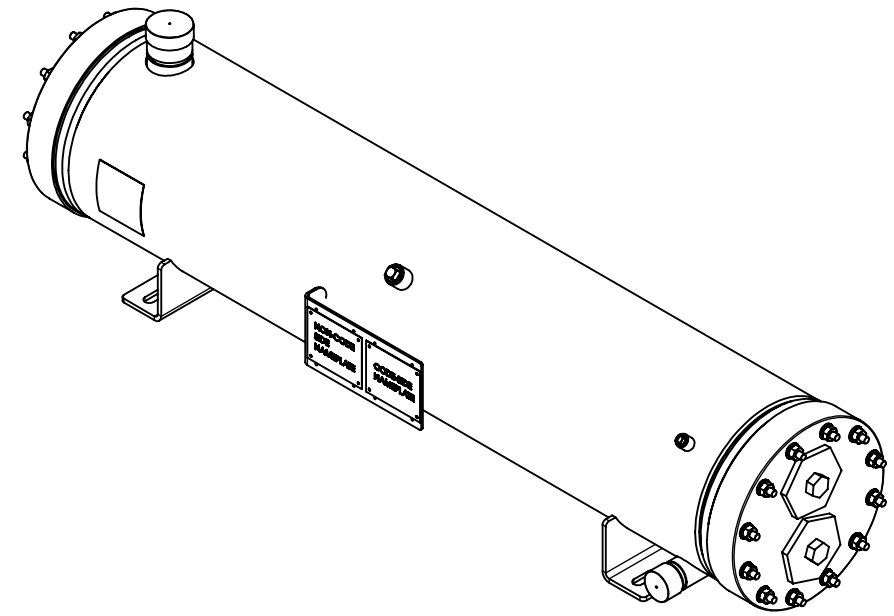


Approval: \_\_\_\_\_  
Customer Signature Required Upon Order

Customer Company Name: \_\_\_\_\_

1. Shell Side:
  - Max. Allowable Work Pressure: 400psi @ 250F
  - Min. Design Metal Temp.: -20F @ 400psi
  - Capacity: 1.70 ft<sup>3</sup>
  - Type of Fluid (Non-lethal): CFC, HFC, HCFC, OIL
  - Physical State of Fluid: LIQUID / VAPOR
  - Vessel Stamp: UM
2. Tube Side:
  - Max. Allowable Work Pressure: 150psi @ 150F
  - Min. Design Metal Temp.: -20F @ 150psi
  - Capacity: 0.40 ft<sup>3</sup>
  - Type of Fluid (Non-lethal): WATER / ANTIFREEZE
  - Physical State of Fluid: LIQUID
  - Vessel Stamp: NON CODE
3. Manufacture vessel in accordance with ASME Sec VIII Div. 1 (Latest Version)
4. Pressure boundary parts are carbon steel / Tubes are copper.
5. All connections will be shipped with caps and plugs.
6. Vessel will be painted black.



NO	REVISIONS (INDICATED BY Δ)	BY	DATE	JOB#
0	ORIGINAL	JEL	04/23/2013	
1	CORRECTED CPLNG NOTE	CT	5/16/2017	MATERIAL
2	UPDATE VESSEL LENGTH	AC	8/5/2017	
3	Update feet and nameplate	AC	10/8/2018	
4				DRAWN
5				CHECK
6				APVD

		<b>TITLE:</b> APPROVAL DRAWING	
SIZE	VESSEL NO.	REV	
<b>B</b>	STC030NS-XXX	03	
SCALE: 1:6	SHIPPING WEIGHT: 262.33 lbs		

**PROPRIETARY AND CONFIDENTIAL**  
 THE INFORMATION CONTAINED IN THIS DRAWING IS THE SOLE PROPERTY OF BITZER US. ANY REPRODUCTION IN PART OR AS WHOLE WITHOUT THE WRITTEN PERMISSION OF BITZER US IS PROHIBITED.

**VIEW CONVENTION**  
 THIRD ANGLE

**BREAK SHARP EDGES**  
 THREADS TO BE CLASS 2  
 DIM & TOL PER ANSI Y14.5M

INCHES	METRIC (MM)
.X ± .125	X ± 1
.XX ± .063	.XX ± 0.5
.XXX ± .005	.XXX ± 0.25
	X.XXX ± 0.13

ANGULAR TOL ± 2°  
 FRAC TOL ± 1/4  
 1 INCH = 25.400000 MM