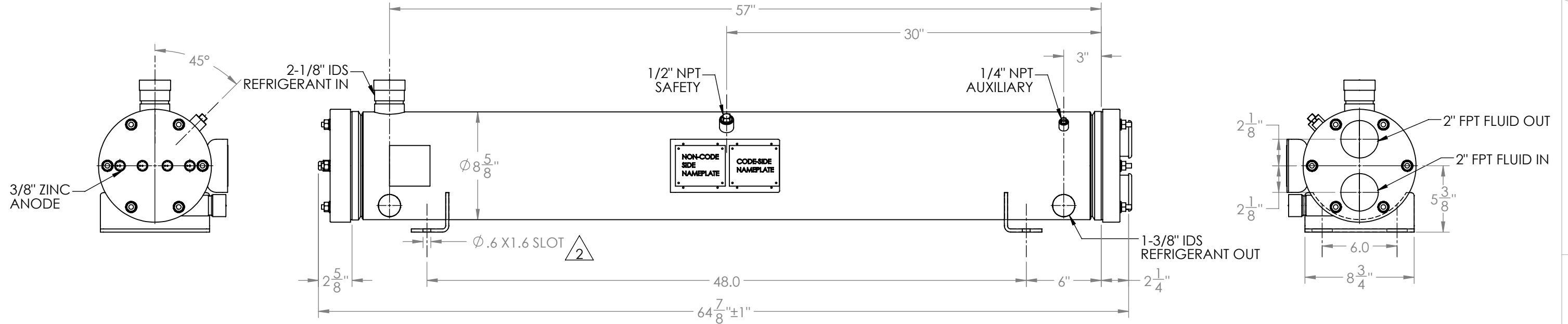
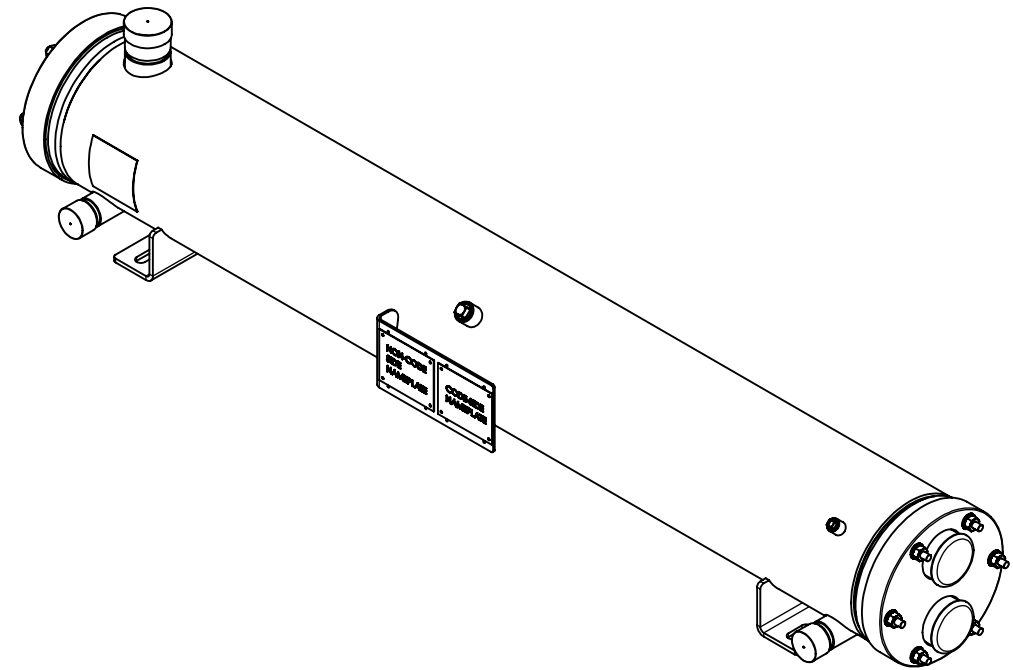


Approval: _____
Customer Signature Required Upon Order

Customer Company Name: _____

1. Shell Side:
 - Max. Allowable Work Pressure: 400psi @ 250F
 - Min. Design Metal Temp.: -20F @ 400psi
 - Capacity: 1.16 ft³
 - Type of Fluid (Non-lethal): CFC, HFC, HCFC, OIL
 - Physical State of Fluid: LIQUID / VAPOR
 - Vessel Stamp: UM
 - Corrosion Allowance: 0
2. Tube Side:
 - Max. Allowable Work Pressure: 150psi @ 150F
 - Min. Design Metal Temp.: -20F @ 150psi
 - Capacity: 0.48 ft³
 - Type of Fluid (Non-lethal): WATER / ANTIFREEZE
 - Physical State of Fluid: LIQUID
 - Vessel Stamp: NON CODE
 - Corrosion Allowance: 0
3. Manufacture vessel in accordance with ASME Sec VIII Div. 1 (Latest Version)
4. Pressure boundary parts are carbon steel, Tubesheets are stainless steel / Tubes are copper nickle.
5. All connections will be shipped with caps and plugs.
6. Vessel will be painted black.



NO	REVISIONS (INDICATED BY Δ)	BY	DATE	JOB#
0	ORIGINAL	JEL	05/08/2013	
1	CORRECTED CPLNG NOTE	CT	5/17/2017	MATERIAL
2	Update nameplate and feet	AC	10/2/2018	
3				
4				
5				
6				

		TITLE: APPROVAL DRAWING	
SIZE	VESSEL NO.	REV	
B	STC025NB-XXX	02	
SCALE: 1:8		SHIPPING WEIGHT: lbs	

PROPRIETARY AND CONFIDENTIAL
 THE INFORMATION CONTAINED IN THIS DRAWING IS THE SOLE PROPERTY OF BITZER US. ANY REPRODUCTION IN PART OR AS WHOLE WITHOUT THE WRITTEN PERMISSION OF BITZER US IS PROHIBITED.

VIEW CONVENTION
 THIRD ANGLE

ANGULAR TOL $\pm 2^\circ$
 FRAC TOL $\pm 1/4$
 1 INCH = 25.400000 MM

BREAK SHARP EDGES
 THREADS TO BE CLASS 2
 DIM & TOL PER ANSI Y14.5M

INCHES	METRIC (MM)
X $\pm .125$	X.X ± 0.5
.XX $\pm .063$	X.XX ± 0.25
.XXX $\pm .005$	X.XXX ± 0.13

NAME	DATE
DRAWN	JEL 05/08/2013
CHECK	
APVD	