

Approval: _____
Customer Signature Required Upon Order

Customer Company Name: _____

- Shell Side:
 - Max. Allowable Work Pressure: 450psi @ 250F
 - Min. Design Metal Temp.: -20F @ 450psi
 - Capacity: 14.33 ft³
 - Type of Fluid (Non-lethal): CFC, HFC, HCFC, OIL
 - Physical State of Fluid: LIQUID / VAPOR
 - Vessel Stamp: U

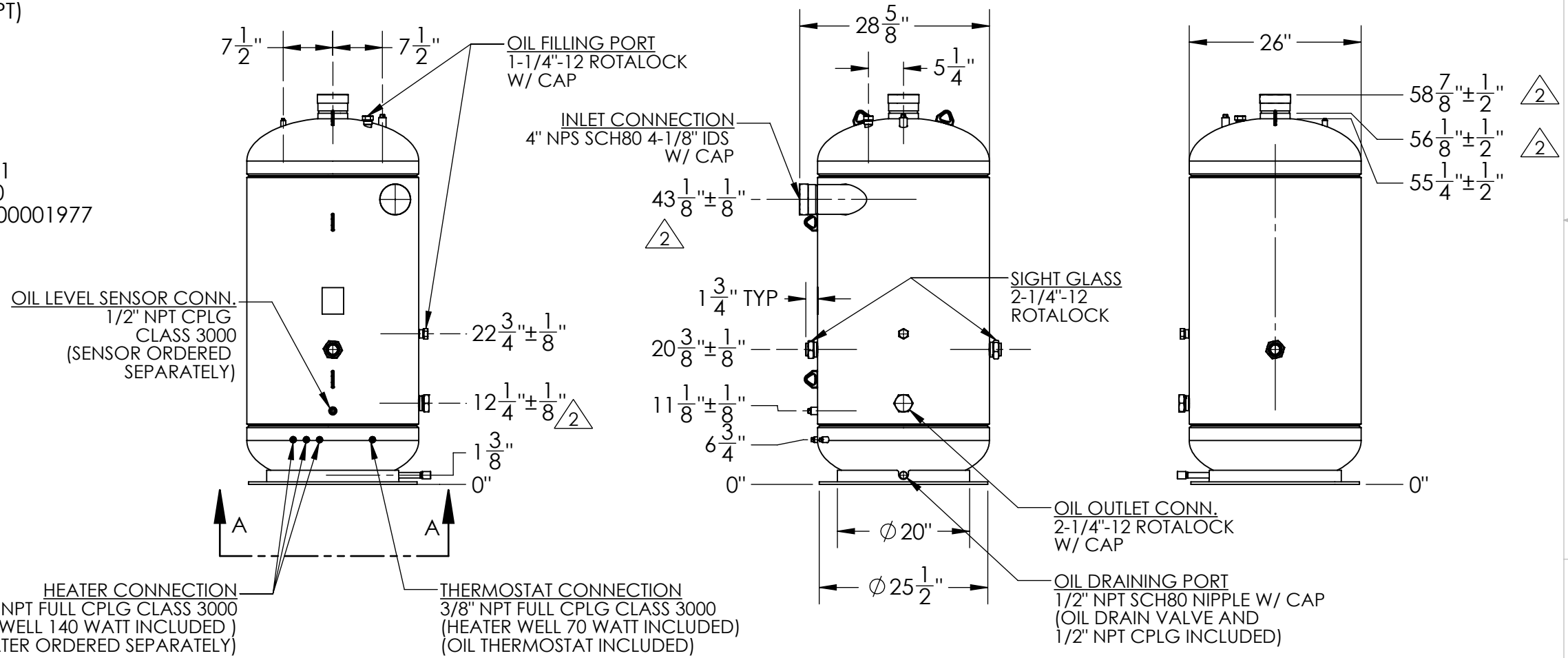
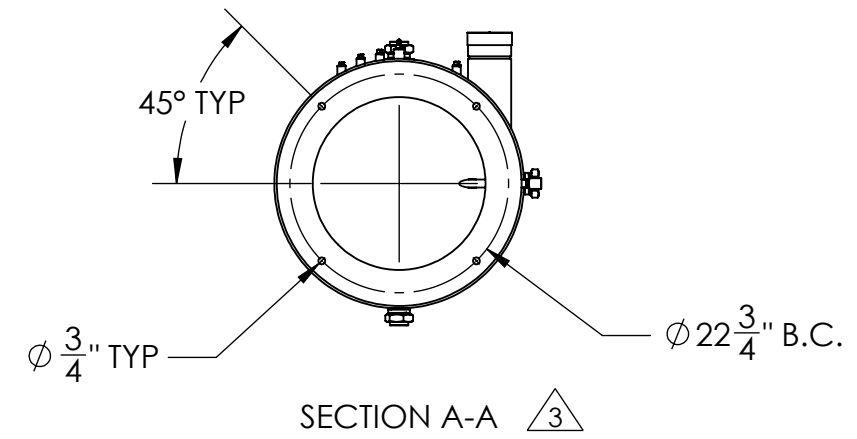
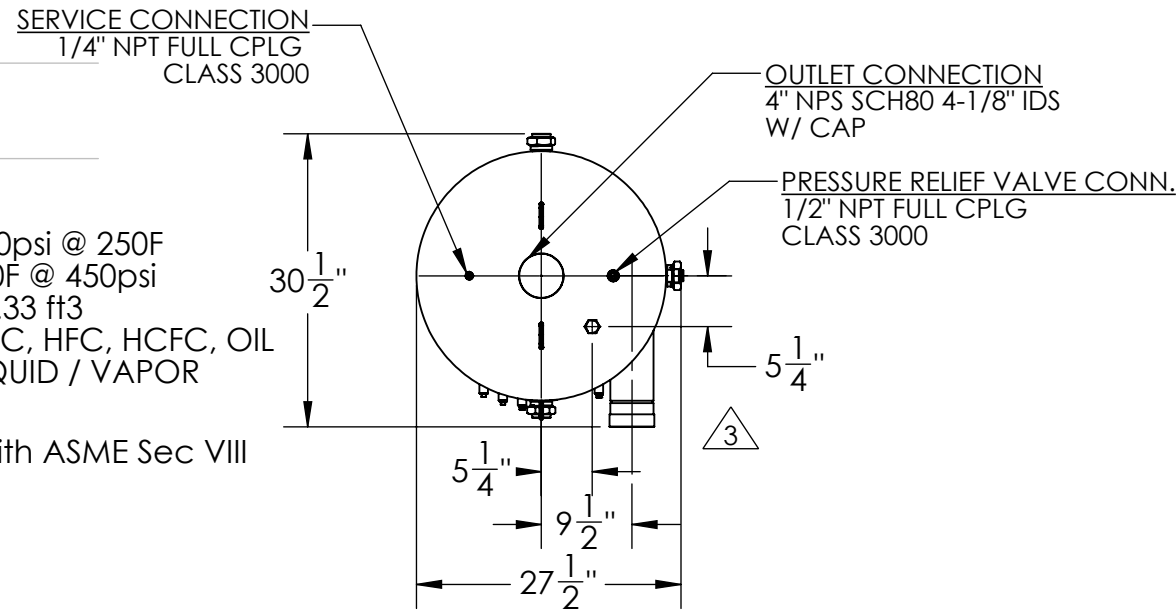
2. Manufacture vessel in accordance with ASME Sec VIII Div. 1 (Latest Version)

3. Parts to be ordered separately:

- OIL HEATER 140 WATT (3 REQ)
 - 120V - 892-1140-01
 - 230V - 892-1140-02
- OIL LEVEL SWITCH RELAY STYLE (1/2"NPT)
 - 115V - 791-9906-15
 - 230V - 791-9906-23

4. Parts that are included (shipped loose):

- HEATER WELL
 - 70 WATT (QTY. 1) - 345906-05
 - 140 WATT (QTY. 3) - 308001-84
- OIL THERMOSTAT (QTY. 1) - 860-5021-01
- OIL DRAIN VALVE (QTY. 1) - 540106050
- 1/2" NPT FULL COUPLING (QTY. 1) - P00001977



NO	REVISIONS (INDICATED BY Δ)	BY	DATE	JOB#
0	ORIGINAL	MMN	08/19/2014	
1	UPDATED FORMAT AND NOTES	QKT	9/18/2014	MATERIAL
2	Updated Dimensions	CT	5/24/2017	
3	MOVE AND LABEL VIEWS	DE	6/1/2017	
4				NAME DATE
5				DRAWN MMN 08/19/2014
6				CHECK
				APVD

		TITLE: APPROVAL DRAWING	
SIZE	VESSEL NO.	REV	
B	OA14111US	03	
SCALE: 1:20		SHIPPING WEIGHT: 697.25 lbs	

PROPRIETARY AND CONFIDENTIAL
THE INFORMATION CONTAINED IN THIS DRAWING IS THE SOLE PROPERTY OF BITZER US. ANY REPRODUCTION IN PART OR AS WHOLE WITHOUT THE WRITTEN PERMISSION OF BITZER US IS PROHIBITED.

VIEW CONVENTION
THIRD ANGLE

ANGULAR TOL ± 2°
FRAC TOL ± 1/4
1 INCH = 25.400000 MM

BREAK SHARP EDGES
THREADS TO BE CLASS 2
DIM & TOL PER ANSI Y14.5M

INCHES	X. ± 1	METRIC	X.X ± 0.5
.X ± .125		.XX ± .25	
.XX ± .063		.XXX ± 0.13	
.XXX ± .005			