

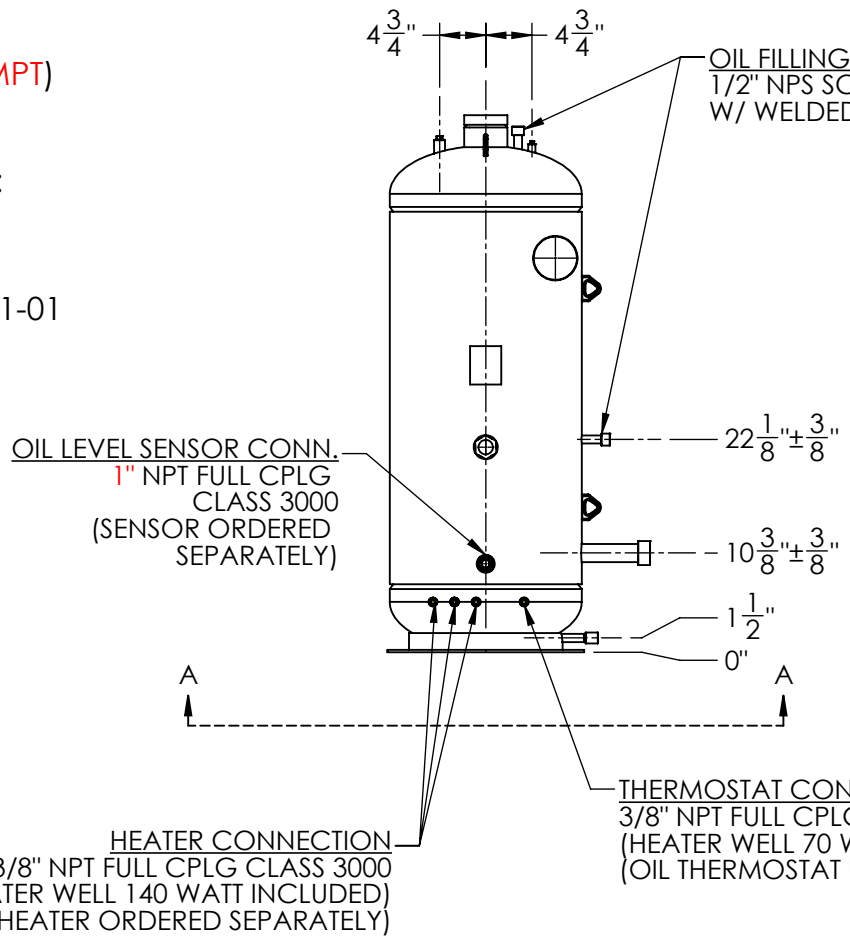
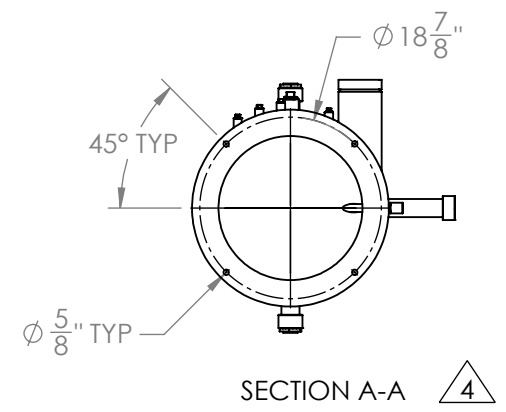
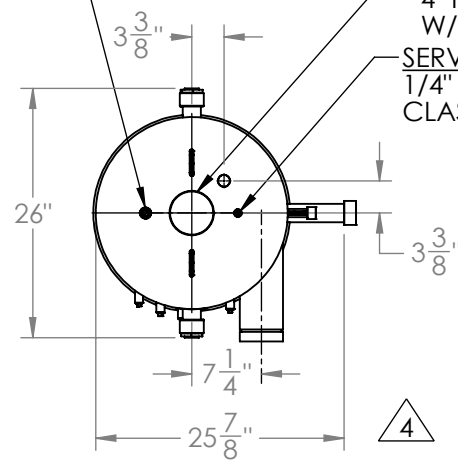
Approval: _____
Customer Signature Required Upon Order

Customer Company Name: _____

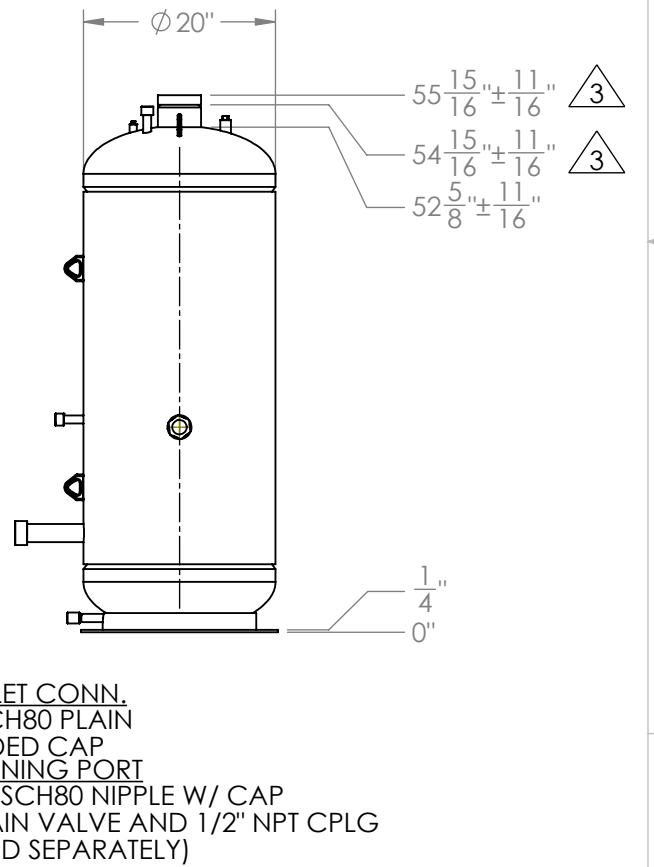
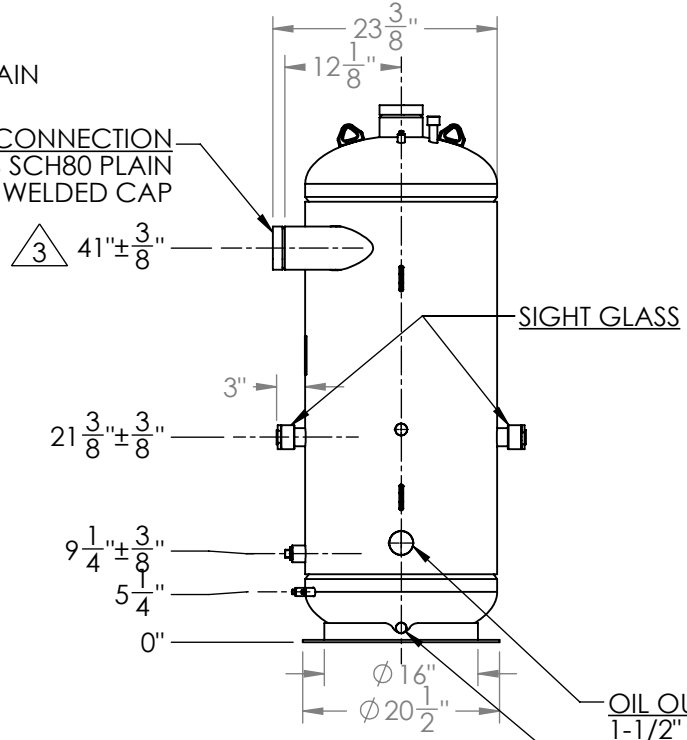
1. Shell Side:
 - Max. Allowable Work Pressure: 450psi @ 250F
 - Min. Design Metal Temp.: -20F @ 450psi
 - Capacity: 8.19ft³
 - Type of Fluid (Non-lethal): ANHYDROUS NH₃
 - Physical State of Fluid: LIQUID / VAPOR
 - Vessel Stamp: U
2. Manufacture vessel in accordance with ASME Section VII Div. 1 (Latest Version)
3. Parts to be ordered separately:
 1. OIL DRAIN VALVE (OPT) - 263012000
 2. 1/2" NPT FULL COUPLING (OPT) - P000001977
 3. OIL HEATER 140 WATT (3 REQ)
 - 120V - 892-1140-01
 - 230V - 892-1140-02
 4. OIL LEVEL SWITCH RELAY STYLE (1" MPT)
 - 115V - 791-9907-15
 - 230V - 791-9907-23
4. Parts that are included (shipped loose):
 1. HEATER WELL
 - 70 WATT (QTY. 1) - 345903-31
 - 140 WATT (QTY. 3) - 345906-02
 2. OIL THERMOSTAT (QTY. 1) - 860-5021-01

PRESSURE RELIEF VALVE CONN.
 1/2" NPT FULL CPLG CLASS 3000

OUTLET CONNECTION
 4" NPS SCH80 PLAIN W/ WELDED CAP
 SERVICE CONNECTION
 1/4" NPT FULL CPLG CLASS 3000



OIL FILLING PORT
 1/2" NPS SCH80 PLAIN W/ WELDED CAP
 INLET CONNECTION
 4" NPS SCH80 PLAIN W/ WELDED CAP



SIGHT GLASS
 OIL OUTLET CONN.
 1-1/2" SCH80 PLAIN W/ WELDED CAP
 OIL DRAINING PORT
 1/2" NPT SCH80 NIPPLE W/ CAP
 (OIL DRAIN VALVE AND 1/2" NPT CPLG ORDERED SEPARATELY)

HEATER CONNECTION
 3/8" NPT FULL CPLG CLASS 3000
 (HEATER WELL 140 WATT INCLUDED)
 (OIL HEATER ORDERED SEPARATELY)

THERMOSTAT CONNECTION
 3/8" NPT FULL CPLG CLASS 3000
 (HEATER WELL 70 WATT INCLUDED)
 (OIL THERMOSTAT INCLUDED)

NO	REVISIONS (INDICATED BY Δ)	BY	DATE	JOB#
0	ORIGINAL	GKT	9/18/2014	
1	Change Sightglass, Projection Nozzle, Size of Oil Lvl sensor, Added Tolerance	MMN	4/24/2015	MATERIAL
2	Update 70W heater well part#	AC	2/1/2017	
3	Update Dimensions	CT	5/24/2017	
4	MOVE AND LABEL VIEWS	DE	6/1/2017	DRAWN GKT 09/18/2014
5				CHECK
6				APVD



TITLE: APPROVAL DRAWING
 SIZE: VESSEL NO. OA9111US_NH3 REV 04
 SCALE: 1:20 SHIPPING WEIGHT: 520.99 lbs

PROPRIETARY AND CONFIDENTIAL
 THE INFORMATION CONTAINED IN THIS DRAWING IS THE SOLE PROPERTY OF BITZER US. ANY REPRODUCTION IN PART OR AS WHOLE WITHOUT THE WRITTEN PERMISSION OF BITZER US IS PROHIBITED.

VIEW CONVENTION
 THIRD ANGLE

ANGULAR TOL ± 2°
 FRAC TOL ± 1/4
 1 INCH = 25.400000 MM

BREAK SHARP EDGES
 THREADS TO BE CLASS 2
 DIM & TOL PER ANSI Y14.5M

INCHES	X.	± .125	METRIC	X.X	± .5
	.XX	± .063		X.XX	± .25
	.XXX	± .005		X.XXX	± .013