

Approval: _____
Customer Signature Required Upon Order

Customer Company Name: _____

1. Shell Side:
- Max. Allowable Work Pressure: 450psi @ 250F
 - Min. Design Metal Temp.: -20F @ 450psi
 - Capacity: 8.19ft³
 - Type of Fluid (Non-lethal): CFC, HFC, HCFC, OIL
 - Physical State of Fluid: LIQUID / VAPOR
 - Vessel Stamp: U

2. Manufacture vessel in accordance with ASME Section VII Div. 1 (Latest Version)

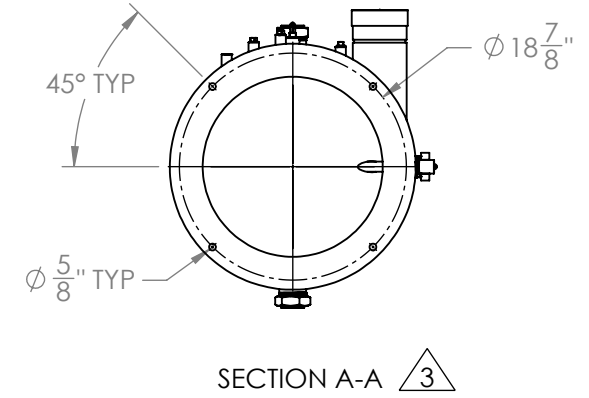
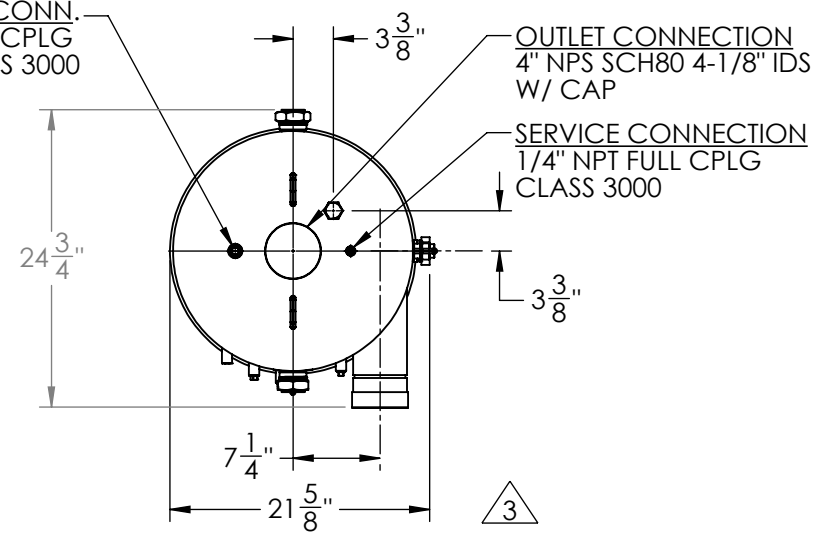
3. Parts to be ordered separately:

- OIL HEATER 140 WATT (3 REQ)
 - 120V - 892-1140-01
 - 230V - 892-1140-02
- OIL LEVEL SWITCH RELAY STYLE (1/2"NPT)
 - 115V - 791-9906-15
 - 230V - 791-9906-23

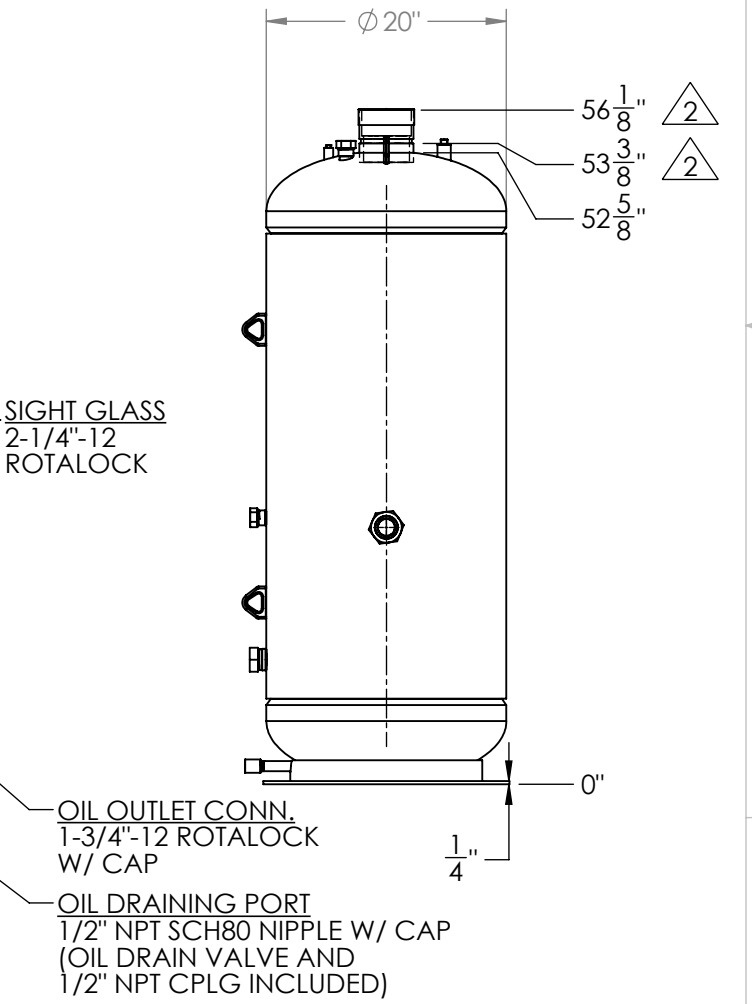
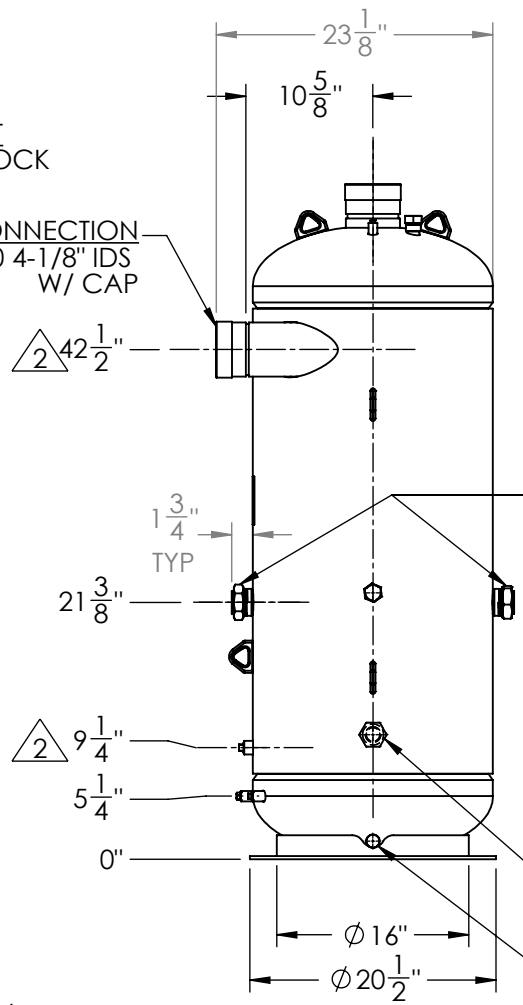
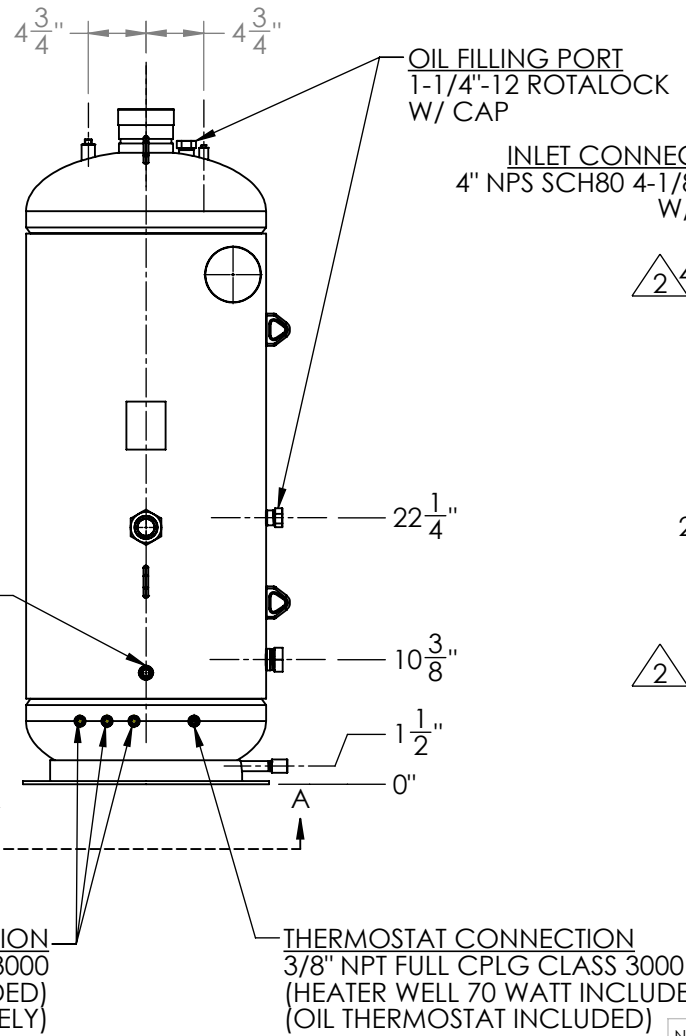
4. Parts that are included (shipped loose):

- HEATER WELL
 - 70 WATT (QTY. 1) - 345906-05
 - 140 WATT (QTY. 3) - 308001-84
- OIL THERMOSTAT (QTY. 1) - 860-5021-01
- OIL DRAIN VALVE (OPT) - 540106050
- 1/2" NPT FULL COUPLING (OPT) - P000001977

PRESSURE RELIEF VALVE CONN.
1/2" NPT FULL CPLG
CLASS 3000



OIL LEVEL SENSOR CONN.
1/2" NPT FULL CPLG
CLASS 3000
(SENSOR ORDERED SEPARATELY)



HEATER CONNECTION
3/8" NPT FULL CPLG CLASS 3000
(HEATER WELL 140 WATT INCLUDED)
(OIL HEATER ORDERED SEPARATELY)

THERMOSTAT CONNECTION
3/8" NPT FULL CPLG CLASS 3000
(HEATER WELL 70 WATT INCLUDED)
(OIL THERMOSTAT INCLUDED)

NO	REVISIONS (INDICATED BY Δ)	BY	DATE	JOB#
0	ORIGINAL	FHO	11/18/2013	
1	UPDATED FORMAT AND NOTES	QKT	9/18/2014	MATERIAL
2	UPDATED DIMENSIONS	CT	5/24/2017	
3	MOVE AND LABEL VIEWS	DE	1/6/2017	
4				NAME DATE
5				DRAWN FHO 11/18/2013
6				CHECK
				APVD



TITLE: APPROVAL DRAWING

SIZE: VESSEL NO. OA9111US REV 03

SCALE: 1:16 SHIPPING WEIGHT: 505.60 lbs

PROPRIETARY AND CONFIDENTIAL
THE INFORMATION CONTAINED IN THIS DRAWING IS THE SOLE PROPERTY OF BITZER US. ANY REPRODUCTION IN PART OR AS WHOLE WITHOUT THE WRITTEN PERMISSION OF BITZER US IS PROHIBITED.

VIEW CONVENTION
THIRD ANGLE

ANGULAR TOL ± 2°
FRAC TOL ± 1/4
1 INCH = 25.400000 MM

BREAK SHARP EDGES
THREADS TO BE CLASS 2
DIM & TOL PER ANSI Y14.5M

INCHES	X. ± 1	METRIC	X.X ± 0.5
.X ± .125		(MM)	X.XX ± 0.25
.XX ± .063			X.XXX ± 0.13
.XXX ± .005			